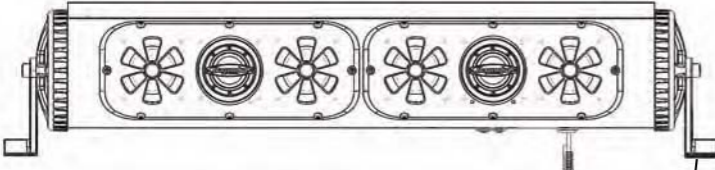
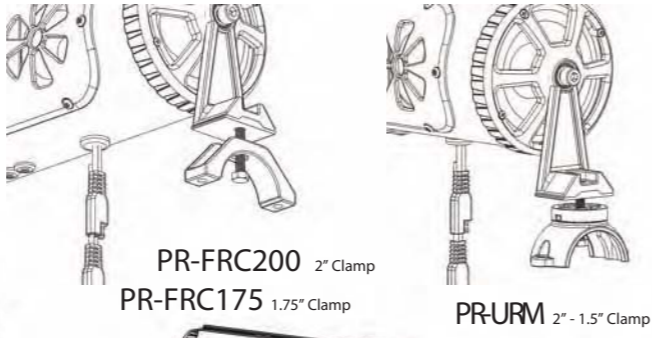


BPB24 / BPB24-DS
BPB36
Installation Instructions



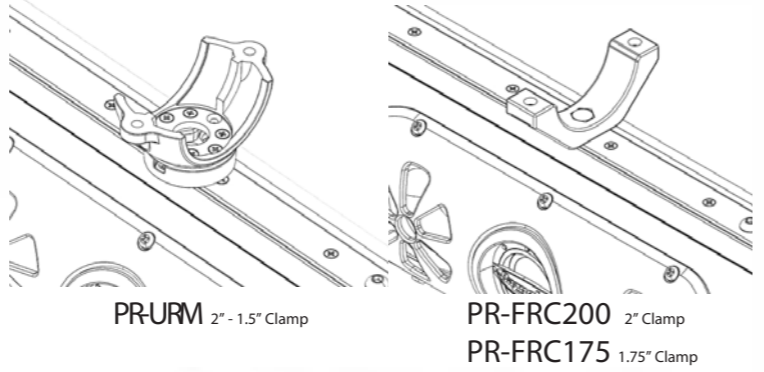
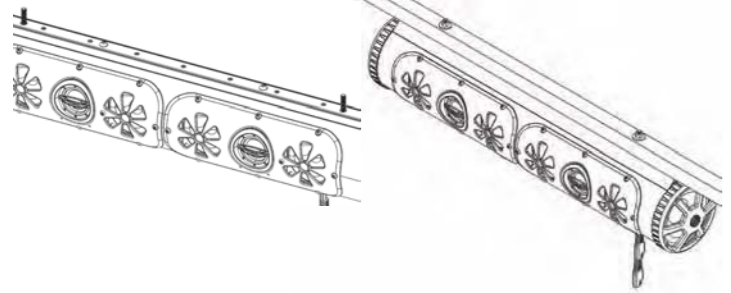
**End Mounting Options
with Cast Aluminum Legs**
See Warning Below!



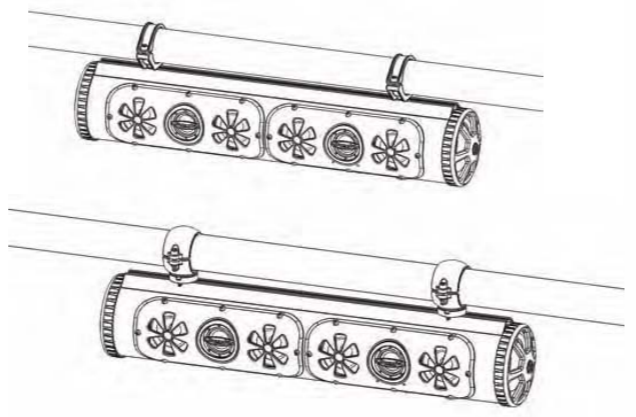
Use the 8mm X 12mm bolts (5) to attach the mounting legs. Mounting legs (3) can be installed in either direction depending on space constraints. When mounting with optional clamps (PR-URM, PR-FRC200, and PR-FRC175) use the hex bolts provided with the clamps to mount the bottom half of the clamps to the mounting legs.

Warning:
If you are using the cast aluminum mounting legs to secure the Party Bar to your machine, the mounting legs must FIRST be attached and tightened to the Party Bar before mounting it to your machine. Attaching the legs to the machine first and then inserting the Party Bar between them can cause misalignment, spacing, and torque issues that can cause damage to the mounting assembly resulting in a failure.

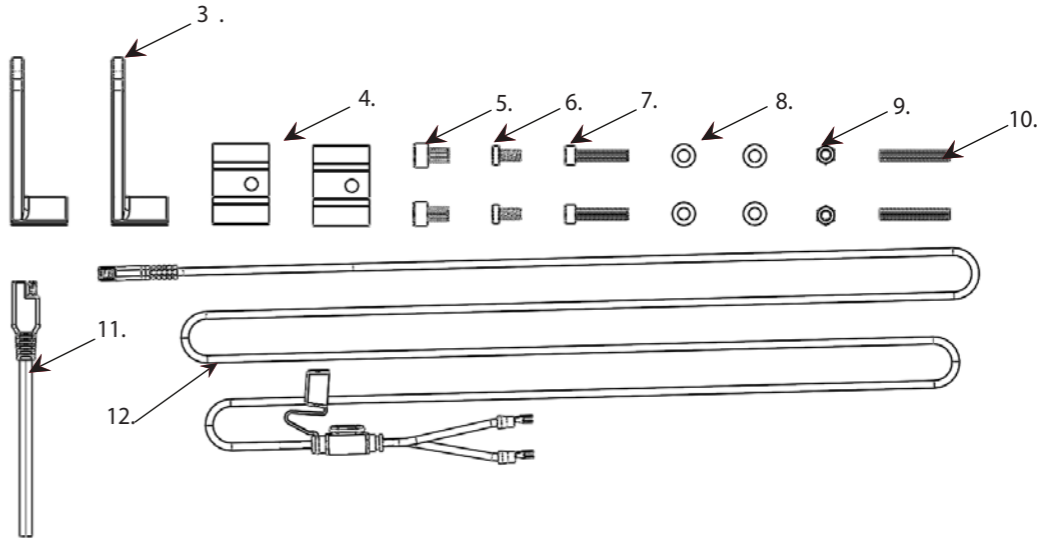
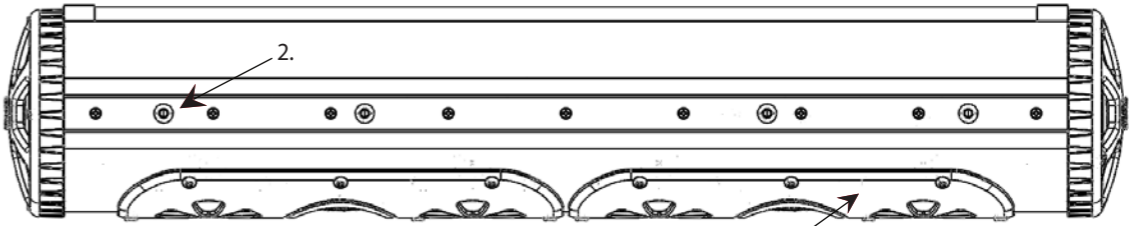
Integrated Mounting Rail Options



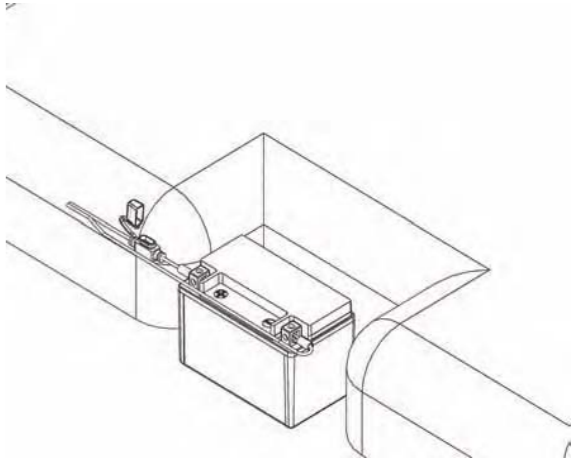
When using the Integrated Mounting Rail System, first determine your mounting stud spacing then screw the 6mm X 40mm studs (10) into the mounting nuts. Mark your desired spacing onto the flat surface to which you are mounting. Use a 1/4" or 7mm drill bit to drill mounting holes. Mount the Party Bar to your mounting surface using the 6mm washers (8) and 6mm nylon locking nuts (9) provided in hardware kit. You can also use our optional PR-URM, PR-FRC175, and PR-FRC200 clamps (sold separately) to mount to round tubing. When mounting the bottom half of the clamps to the Party Bar, you will need to use the 2 ea. 6mm X 12mm low profile socket head cap screws. (6)



BPB24 / BPB24-DS
BPB36
Installation Instructions



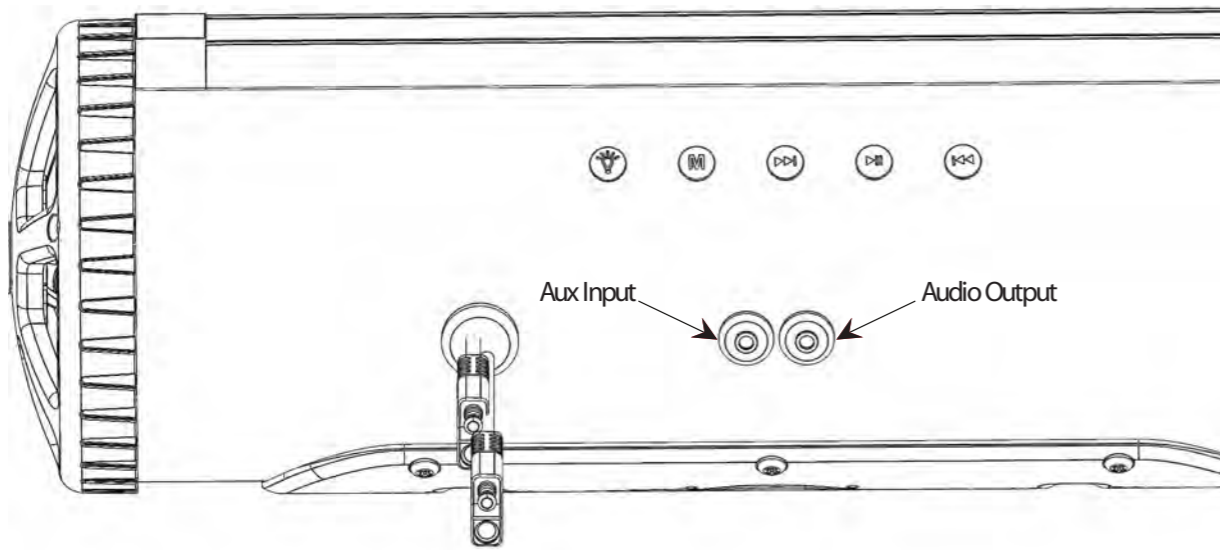
1. Party Bar (BPB24, BPB24-DS, or BPB36) 1 ea.
2. Optional Mounting Bolt 6mm 4 ea.
3. Mounting Leg 2 ea.
4. Rubber Vibration Insulation Pads 2 ea.
5. Socket Head Cap Screw 8mm X 12mm 2 ea.
6. Low Profile Socket Head Cap Screw 6mm X 12mm 2 ea.
7. Socket Head Cap Screw 6mm X 30mm 2 ea.
8. Narrow Washer 6mm 4 ea.
9. Nylon Insert Locking Nut 6mm 2 ea.
10. Stud 6mm x 40mm 2 ea.
11. Accessory Pigtail 1 ea.
12. Power Cable 6 ft. 1 ea.



IMPORTANT NOTICE:

The internal RF circuit for the remote control will draw a small amount of current because it must always be ON listening for the remote commands. Over time this could draw down your battery when your machine remains in storage without being connected to a charger or not being actively used. For this reason, we recommend connecting the Party Bar to a switched master power source or disconnecting the main power wire when the machine is in storage. We also make a plug & play inline 12v master power switch that can be easily added to the main battery wire for the Party Bar to completely kill power to the unit. It is listed under the Accessories tab on the Party Bar product page on our website (Model number: PR-ILS16)

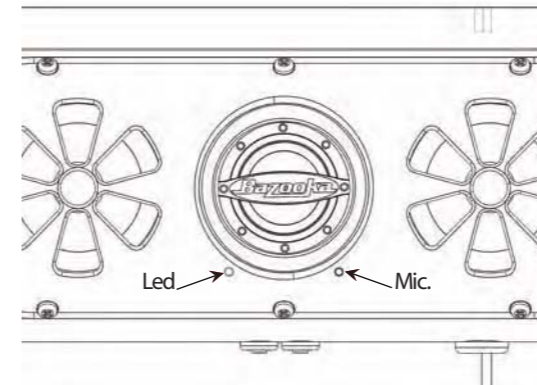
Remove fuse from 6 ft power cable (12). Attach the red wire to the positive battery terminal. Attach the black wire to the negative battery terminal. Run power cable to the location of the BPB24. making sure power wire does not hinder the safe operation of the vehicle. Plug the red power cable end into the BPB24's red input power plug. The black 12vdc accessory plug can be used to power any 12vdc accessory up to 15 amps. Use the included black accessory pigtail (11) to wire your accessories.



- Button 1** Auxiliary 12vdc output on/off switch.
- Button 2** Press and hold to power on, press while power is on to switch input between aux. and Bluetooth inputs, Press and hold to power off.
- Button 3** Press to go forward one track, Press and hold to increase volume.
- Button 4** Press to play/pause, Press to answer/hang up phone, Double press for last number radial or open Siri on Iphone, Press and hold to unpair bluetooth device.
- Button 5** Press to go back one track, Press and hold to decrease volume.
- Aux. Input** Used for a 1/8" audio cable
- Audio Output** Used for line level audio signal to an amplifier

Bluetooth module audio indicators:

Audio Response	Description
Power on:	Module is turned on
Power off:	Module is turned off
Beep:	After LED light stops blinking means module is paired
Beep:	When play/pause button is pressed and held means module is unpaired from Bluetooth device.
Double Beep:	When forward button is pressed and held means module has reached maximum volume.



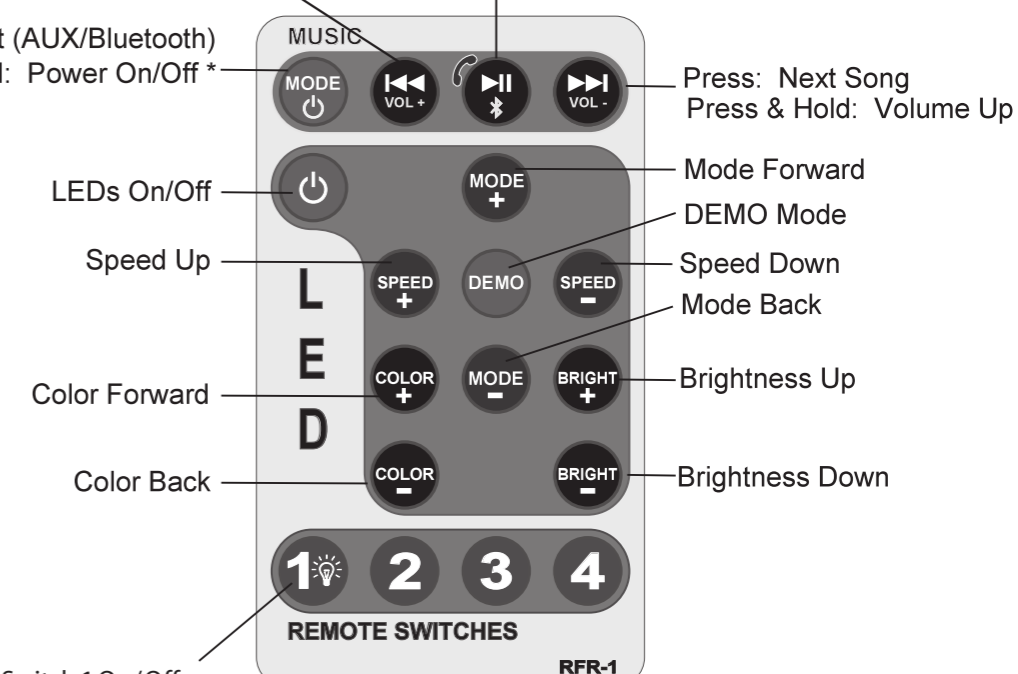
LED light status indicator:

LED Light	Description
Blinking:	Bluetooth module is pairing
Solid blue:	Bluetooth module is paired
Blue/Red:	Bluetooth module is in AUX input mode

MUSIC FUNCTIONS

- Press: Previous Song
- Press & Hold: Volume Down
- Press: Mode Select (AUX/Bluetooth)
- Press & Hold: Power On/Off *
- Press: Play/Pause (Phone Answer/Hang Up)
- Double Press: Last number radial or Enter Siri on iPhone
- Press & Hold: Unpair Bluetooth device and enter Pairing Mode for new Bluetooth device.
- Press: Next Song
- Press & Hold: Volume Up

LED FUNCTIONS



SWITCH FUNCTIONS

- Switch 1 On/Off
- Switch aux. 12vdc (15 amp) ouput.

Remote switch buttons 2-4 are not used with this model

Note: * When pressing for Power Off, be sure to hold until Power Off is indicated (audible). Failure to do so may toggle the Bluetooth Receiver into AUX/BT Mode and it will remain in the last selected mode on subsequent Power On. If this occurs, simply press the M button again to reselect BT or AUX mode as desired. The receiver should automatically pair with the last device in BT mode. To pair a new device, press and hold the Play/Pause button.

Correct

Mounting using legs

When using the mounting legs with the bar, make sure you mount the legs to the bar first. Then mark your mounting holes before you drill. When bolting the legs down make sure the legs are straight (90 degrees from bar)



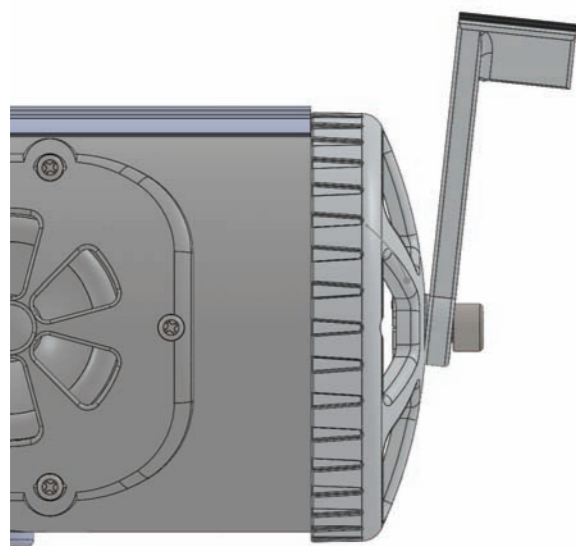
Legs must be 90 degrees to bar

Mounting using legs and clamps

When using the mounting legs and clamps with the bar, make sure you mount the legs and clamps to the bar first. When tightening the clamps down on the roll bar make sure the legs are straight (90 degrees from bar)



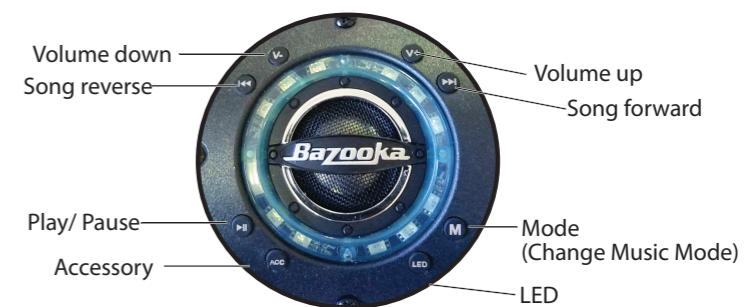
Legs must be 90 degrees to bar



Incorrect

Legs must not be mounted at an angle. This can cause the leds in the grills to short out

Bazooka PARTY BAR⁶²



1. Long press the Mode button to turn the Party Bar ON/OFF.
2. Long press the LED button to turn the LED lights On/Off. Click press the LED button to cycle through stored LED sequences.
3. ACC button turns ON/OFF the accessory 12v pig tail for an external LED light bar or other accessory.
4. Click press the Mode button to toggle between Bluetooth/Aux/USB listening modes.
5. Press >|| to Pause/Play music.
6. Press Vol +/- to raise and lower the volume of the Party Bar.
7. Press << and >>| buttons to track forward/reverse on songs.

Unleash the Sound and Illuminate Your Adventure

Pairing 2 Party Bars together in Bluetooth mode:

1. Disconnect Main Power from the Party Bar being paired.
2. Long press the Pause/Play Button on the Party Bar that still has power. The voice will say "TWS Pairing".
3. Reconnect power to the Party Bar being paired and turn it ON. The Party Bars will find one another and sync together. The LED indicator will turn yellow/green when TWS pairing is successful.
4. Pair your mobile device. (Note: It is very important that you DO NOT pair your mobile device until AFTER TWS pairing has been completed or it can interrupt the TWS pairing process).
5. To remove TWS pairing and return the 2 Party Bars back to individual pairing mode, long press the Pause/Play Button on the Master unit.