

Installation Instructions

ATVS100 ATV Spreader

A multipurpose spreader designed to distribute feed, seed, and other free flowing materials while mounted on an ATV.

Mounting Instructions

1. Use (4) M6 x 20 bolts, flat washers and locknuts to attach the Motor Assembly to the Hopper (as shown in fig. 1).
2. Put connector end of the motor wire through the hole in the Hopper and insert the grommet to keep material from falling out
3. Use a cotter pin to attach the Spinner Disc to the motor shaft (as shown in fig. 1).
4. Use (4) M6 x 40 bolts and locknuts to attach the Hopper Assembly to the straight Frame pieces (as shown in fig. 2)
5. Place spreader on ATV and use M6 x 40 bolts to attach the Crossmember. You may need to feed the straight frame sections through the rack's upright crossmember.
6. Make sure the Frame and Crossmember line up with sections of the ATV's rack. (There are two mounting positions for the crossmember. Use whichever lines up best with a section of the rack)
7. Fasten spreader frame to the ATV rack using the U-bolts, washer plates, lock washers and jam nuts.
8. Use (2) M6 x 40 bolts and locknuts to attach Control Plate to frame
9. Insert bent end of Control Rod into restrictor plate and then insert flattened end into the control handle
10. Use the wing nut to attach Control Handle to Control Plate
11. Insert carriage bolt, plastic spacer and wing nut into the Control Plate to provide a stop for the Control Handle
12. Connect Wire Harness to motor and then plug the accessory adaptor into the ATV's accessory plug



WARNING

Vehicle tailpipe temperatures can exceed 500° F. Ensure that the vehicle tailpipe is properly shielded so that material cannot contact or rest on any portion of the exhaust system.

Operating Instructions

1. Close the Restrictor Plate completely by pushing the Control Handle forward. Load material into the Hopper and put on the Rain Cover. Turn the "ON/OFF" switch to the "ON" position. While moving, use the Control Handle to open the Restrictor Plate and begin spreading material.
2. Adjust the opening of the Restrictor Plate using the wing nut and plastic spacer to increase or decrease the amount of material being spread.

PLEASE NOTE

1. Take precautions to operate the ATV in a safe manner. Follow precautions and guidelines as outlined in the ATV Owner's Manual.
2. Spinner should rotate counter clockwise.
3. In the event the spreader motor is not operating, check fuse in accessory adaptor and replace if blown.
4. Clean the hopper and brackets after use. Some material can cause corrosion to metal parts, thus reducing the life of the Spreader Assembly.

fig. 1

FASTEN MOTOR ASSEMBLY TO
THE HOPPER (4x M6x20)

USE FLAT WASHERS
WITH M6 LOCKING
NUTS TO SECURE
MOTOR ASSEMBLY
TO HOPPER

INSERT THIS END OF
CONTROL ROD INTO
THE RESTRICTOR
PLATE, THEN INSERT
OTHER END INTO
CONTROL HANDLE

GROMMET ON MOTOR WIRE
MUST BE INSERTED INTO THIS
HOLE TO PREVENT MATERIAL
FROM FALLING OUT

INSERT COTTER PIN THROUGH HOLE IN
SPINNER DISC AND MOTOR SHAFT

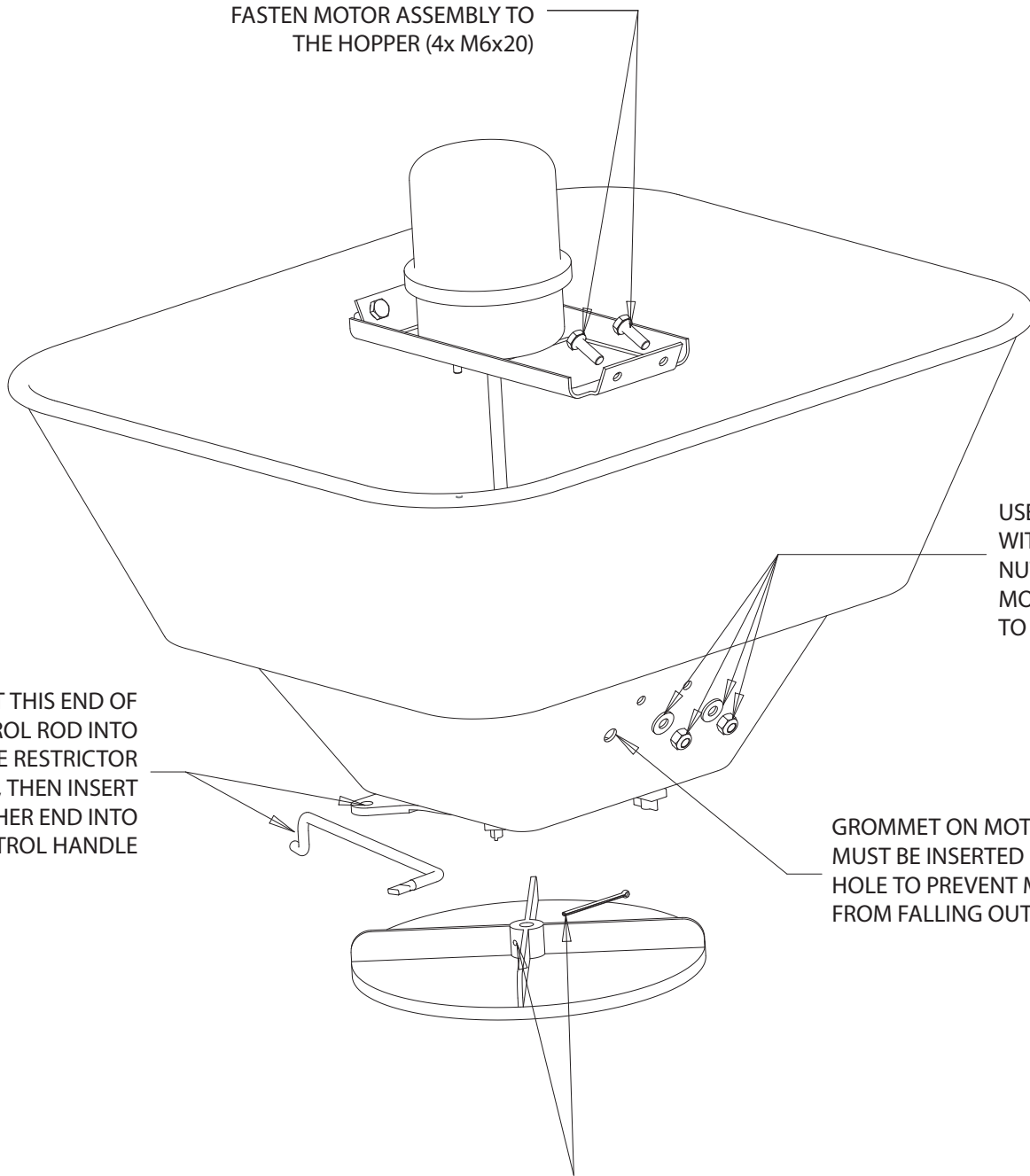
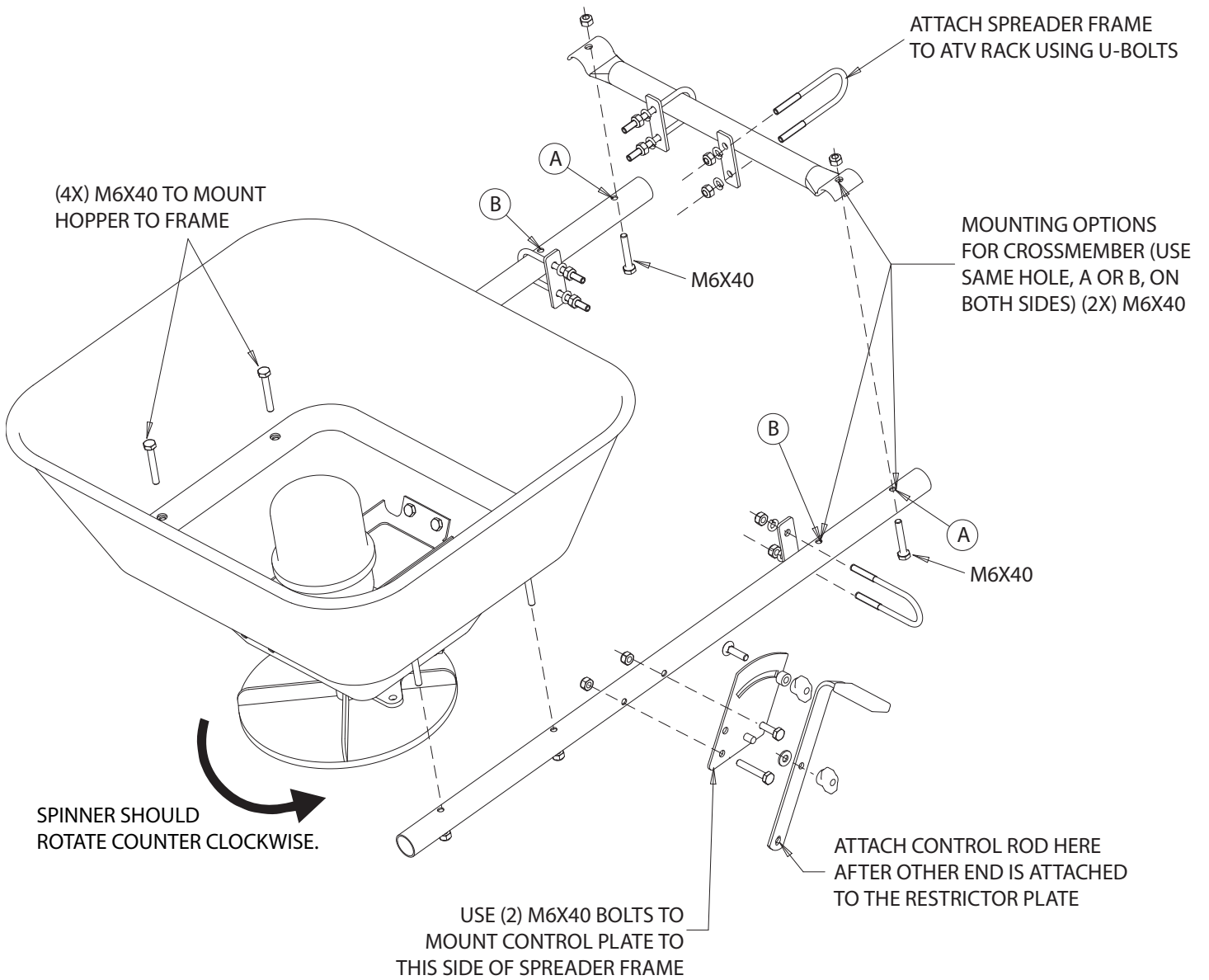
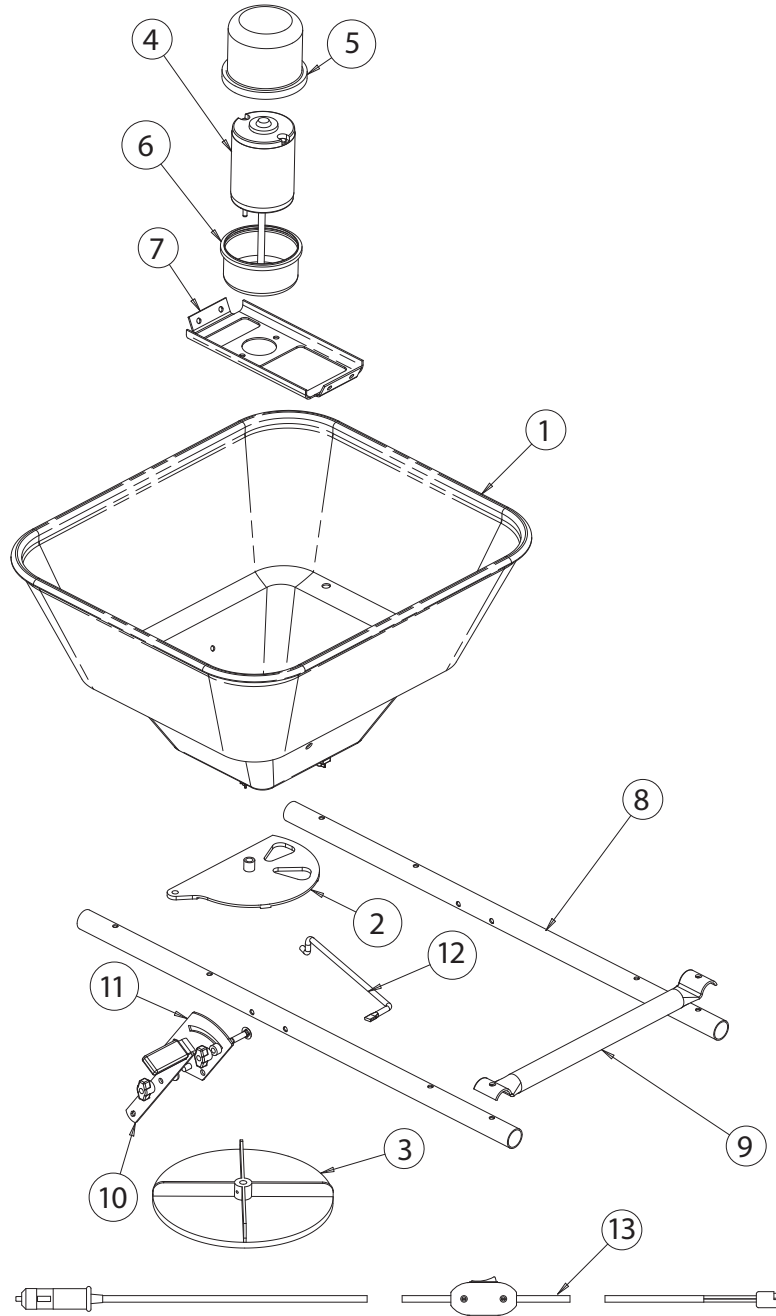


fig. 2





Bill of Materials

ITEM	PART NO.	DESCRIPTION
1	3008791	Hopper
2	3008792	Restrictor Plate
3	3007863	Spinner
4	3008793	Motor, ATVS100
5	3008801	Motor Cover, Top
6	3008802	Motor Cover, Bottom
7	3008796	Bracket, Motor Mount
8	3008805	Frame, Straight
9	3008795	Frame, Crossmember
10	3008803	Control Handle
11	3007869	Control Plate
12	3008797	Control Rod
13	3002232	Wire Harness
	3007993	Rain Cover
	3008808	Hardware Bag

Warranty

Buyers Products Co. warrants all truck/trailer hardware manufactured or distributed by it, to be free from defects in material and workmanship for a period of one year from date of shipment. Parts must be properly installed and used under normal conditions. Any product which has been altered, including modification, misuse, accident or lack of maintenance will not be considered under warranty. Normal wear is excluded. The sole responsibility of Buyers Products Co. under this warranty is limited to repairing or replacing any part or parts which are returned, prepaid, and are found to be defective by Buyers Products Co. Authorization from Buyers Products Co. must be obtained before returning any part. No charges for transportation or labor performed on Buyers' products will be allowed under this warranty.