

## SKI INSTALLATION INSTRUCTIONS

SKI-DOO  
SUMMIT 4th GEN 2017 AND NEWER  
MOUNTING KIT #76000372

1. Remove old ski.
2. Discard unneeded hardware (factory dampener, bolt and nut).
3. Install carbide on ski using the manufacturers guidelines & hardware.
4. Place the two spools (top hat shaped) into the inner saddle of the ski and push outward until flush in the saddles, they will fit very tightly. (see Figure 1)
5. Place the rubber dampener in the ski, with the tall side toward the front of the ski. (see Figure 2 for dampener orientation)
6. Recommend greasing spindle bolt.
7. Using remaining hardware, secure ski to snowmobile. (see diagram)
8. Repeat steps 1-7 for other ski.

ITEM #	PART #	DESCRIPTION	QTY
1	76000219	WASHER, 1.5" X .406" X .187"	4
2	76000246	BUSHING 10MM	4
3	76000190	METRIC BOLT, 10-1.5 X 130MM HEX	2
4	76000193	METRIC NUT, M10-1.5 NYLOC	2
5	77000284	DAMPENER - 284	2
6	00251	WASHER, 7/16" FLAT SAE	4

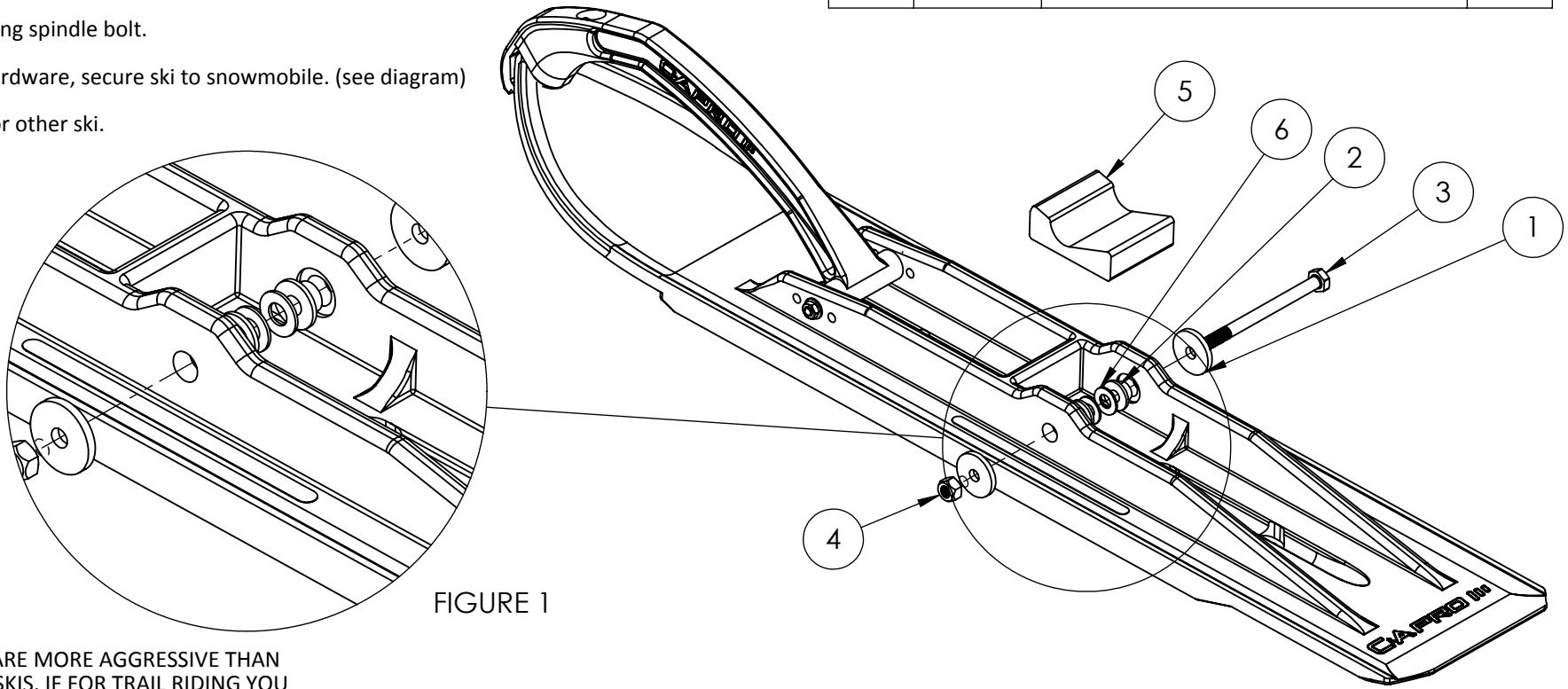


FIGURE 1

**NOTE:**  
BY DESIGN, THE SKIS ARE MORE AGGRESSIVE THAN FACTORY STANDARD SKIS. IF FOR TRAIL RIDING YOU FIND THAT THE SKIS ARE TURNING TO HARD, YOU MAY WANT TO LIGHTEN SKI PRESSURE FOR EASIER TURNING. FOR ASSISTANCE ON LIGHTENING SKI PRESSURE, CONSULT YOUR SNOWMOBILE OWNERS MANUAL OR YOUR SNOWMOBILE DEALER.