

Caliber Sled Wheels Assembly Instructions for PN 13576 and 13579



Caution:

- **Read all instructions before assembling or using Sled Wheels. Follow the steps in order.**
- Only use Sled Wheels as intended, following all instructions contained herein for assembly and adjustment.
- **Do not exceed 12 miles per hour** when driving a snowmobile with Sled Wheels.
- The handle is a lever used to raise the skis by pushing down on it; **do not lift the handle while Sled Wheels are engaged on ski.** Lift the ski loop instead, if necessary.
- Relieve the load on the latch before releasing it by pushing the handle and ski to the ground.
- Always use the safety pin to lock the latch in place.
- Remove Sled Wheels from the ski when not in use.

Tools needed: Torx T-55 wrench, 5/32” Hex wrench (supplied), #2 Phillips screwdriver

Assembly time: about 20 minutes

Parts list:



















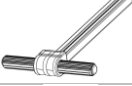


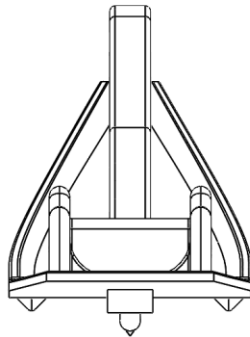
Item	Description	QTY		Item	Description	QTY	
1	Wheel	4		12	BHCS, Hex, 1/4-20 x 0.5”	2	
2	Axle bolt	4		13	BHCS, Hex, 1/4-20 x 1.0”	8	
3	Washer, 1/2”	4		14	Nut, Locking, Hex, 1/4-20	8	
4	Nut, Locking, Hex, 1/2-13	4		15	Nut, Square, 1/4-20	4	
5	Saddle/Latch assembly	2		16	Washer, 1/4”	12	
6	Arm, Left	2		17	Extender, Finger, Right	1	
7	Arm, Right	2		18	Extender, Finger, Left	1	
8	Hex Wrench, 5/32	1		19	Screw, Thread Forming, #8-16	4	
9	Telescoping Handle	2		20	Safety Pin w/ lanyard and Caution Card	2	
10	T-Handle	2		21	Grease, 1cc	1	
11	BHCS, Hex, 1/4-20 x 1.5”	2					

Table 1

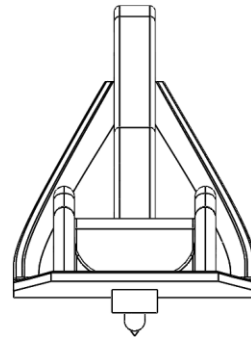
Assembly:

1. Remove the arms from the T-handles, which have been installed in the storage position for shipping. Use a flat blade screwdriver to spread the arm clamp apart if necessary to ease removal.

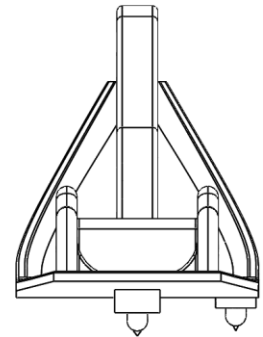
2. Use Table 2 to determine which type of ski you are using to determine the finger covers you will use. If your ski is not listed, use the following instructions. Most snowmobile skis have a center keel/carbide on the bottom, some also have two raised guides on the ski undersides to help grip. A third type is uneven. The image to the right shows the skis from the rear.



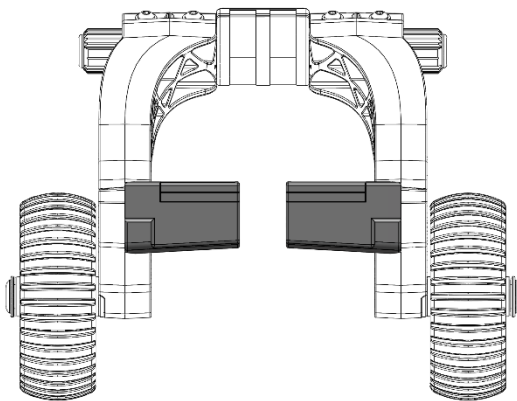
Center Keel/Carbide
with side guides



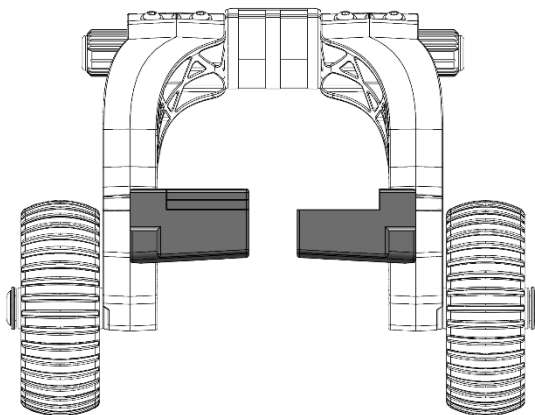
Center Keel/Carbide



Center Keel/Carbide
with one side carbide

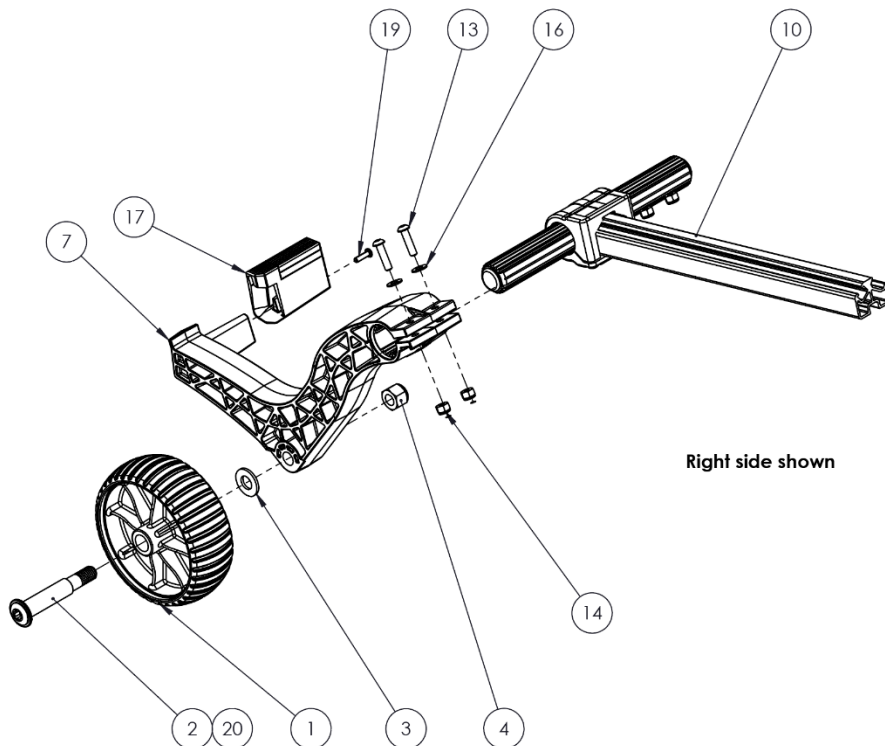


3a. For skis that are flat or have even guides, assemble the finger extenders (17 and 18 - be sure to use the left cover on the left arm, and right on right). Tap the rubber on a hard surface to ensure it is fully seated. Secure with a self-tapping screw (19).

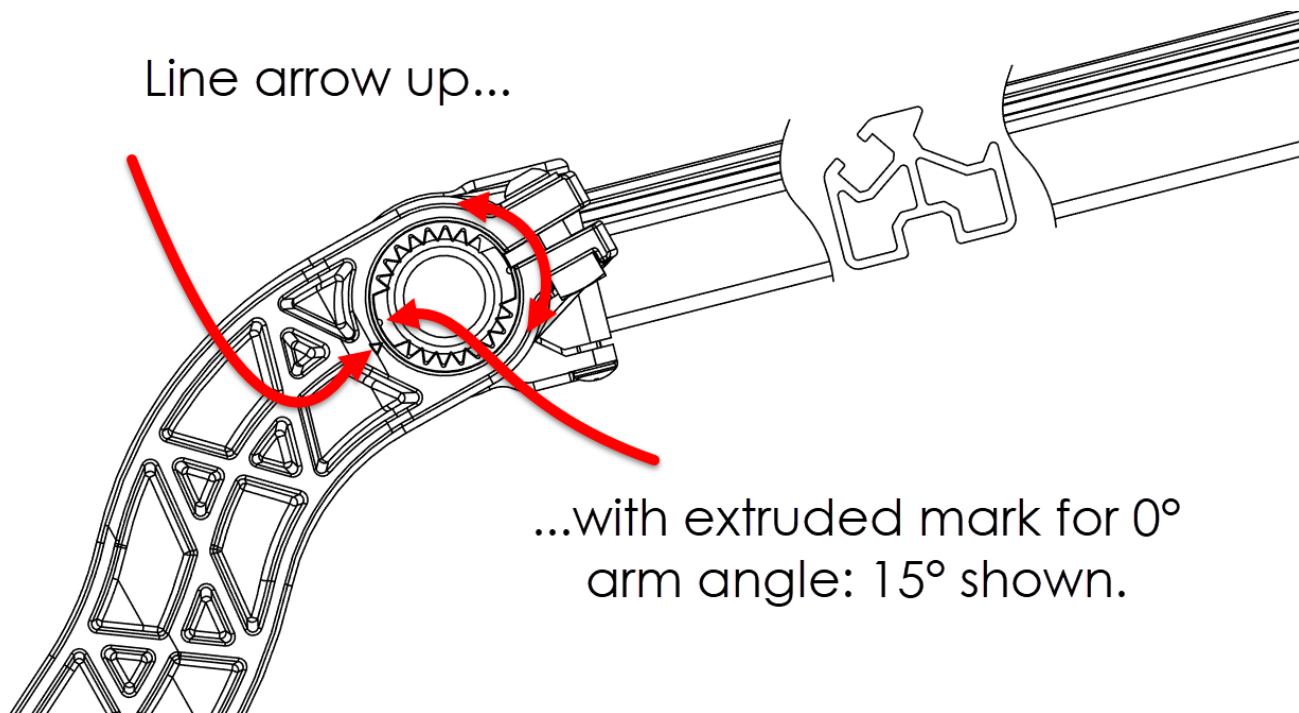


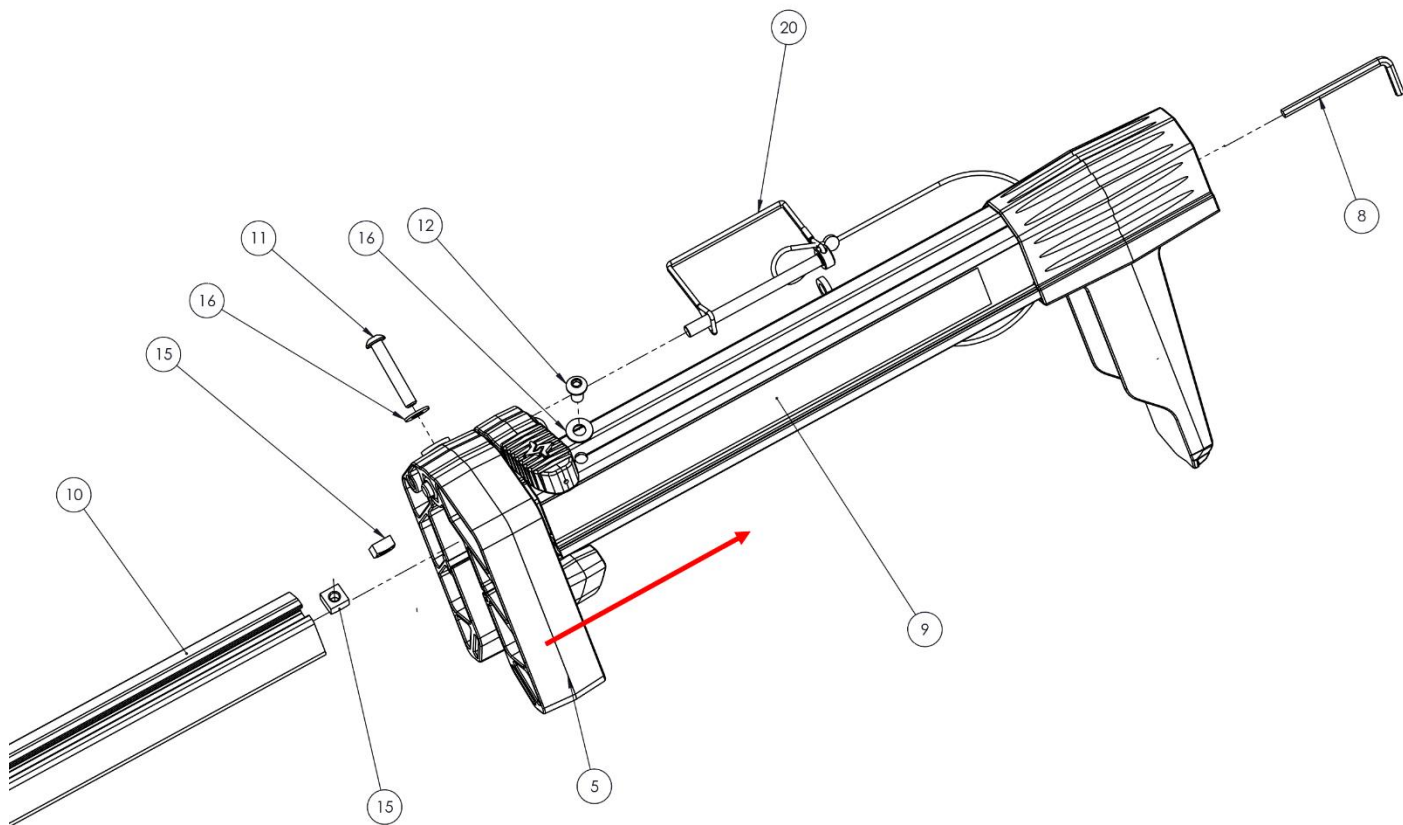
3b. For skis with uneven keels or carbides (i.e. SkiDoo Pilot skis and others), use a finger extender (17 and 18) as before, but cut the extender on the carbide side of the ski using a sharp blade. Use the horizontal lines on the extenders as a guide. Tap the rubber on a hard surface to ensure it is fully seated. Secure with self-tapping screws (19). This will make your Sled Wheels left or right handed, so be sure to use them on the correct ski, or your skis will not sit flat.

- Apply one fourth of the grease (22) to each axle (2) and assemble a wheel (1), 1/2" washer (3), arm (6 and 7), and locking hex nut (4). Tighten the axle until snug, then tighten the axle 1/4 - 1/2 turn more (approximately 20 ft-lbs) with a T-55 Torx wrench (a 5/16" or 8mm hex wrench can be used in a pinch). Repeat for each of the three remaining wheels.

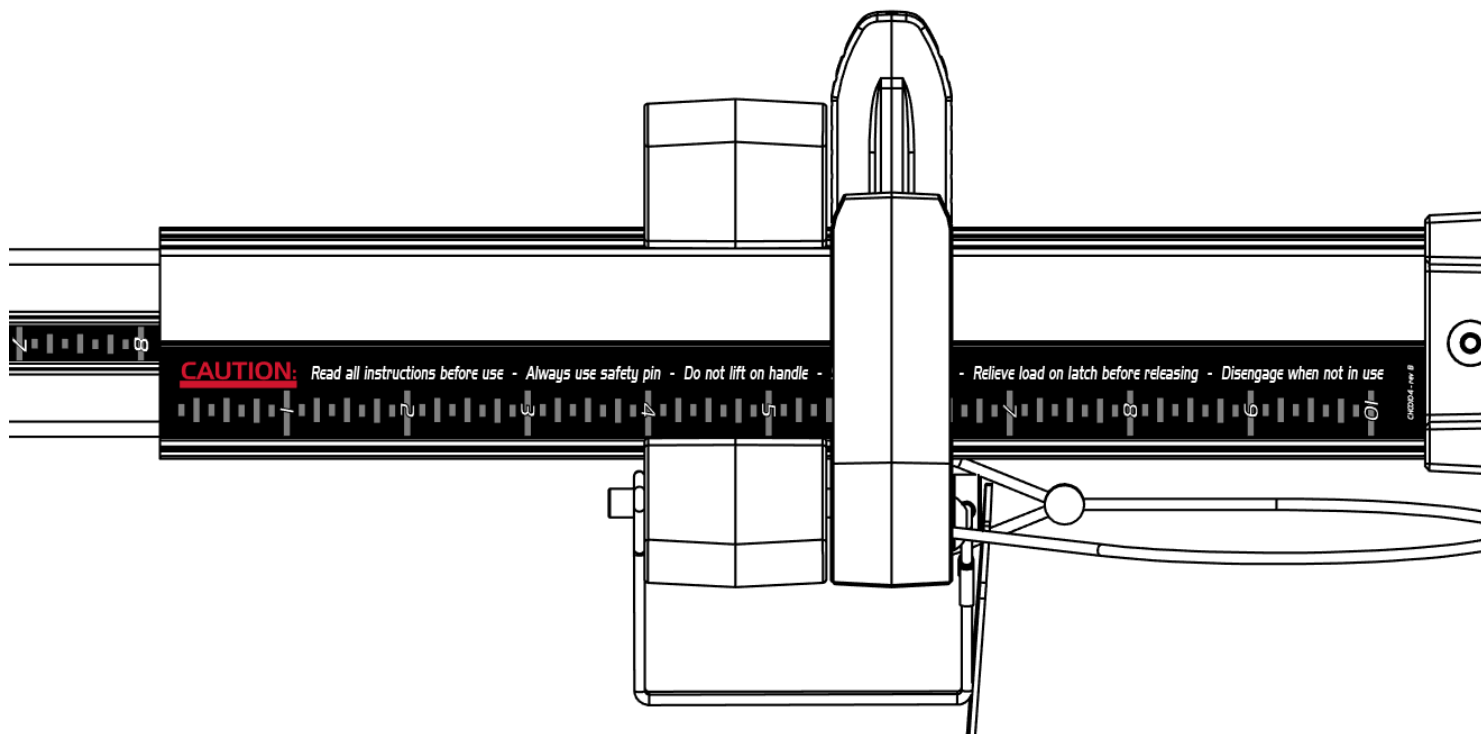


- Slide the assembled arms onto the splined T-Handle (10) and adjust the arm width per Table 2 (on last page of instructions) and your ski type, or adjust approximately 1/4"-1/2" wider than the ski. Some sleds have spindle bolts that stick beyond the edge of the ski, for these sleds adjust the arms wider to avoid the bolt (or cut the excess bolt off). The arm angle can also be adjusted 15° to accommodate tall or short ski loops. Most sleds work best at 15°. Use two 1/4-20 x 1.0" bolts (13), two 1/4" washers (16), and two 1/4 locking hex nuts (14) to secure each arm in place using the supplied 5/32" hex wrench (8) (approximately 4 ft-lbs). Do not overtighten. Make sure both arms are installed at the same angle.

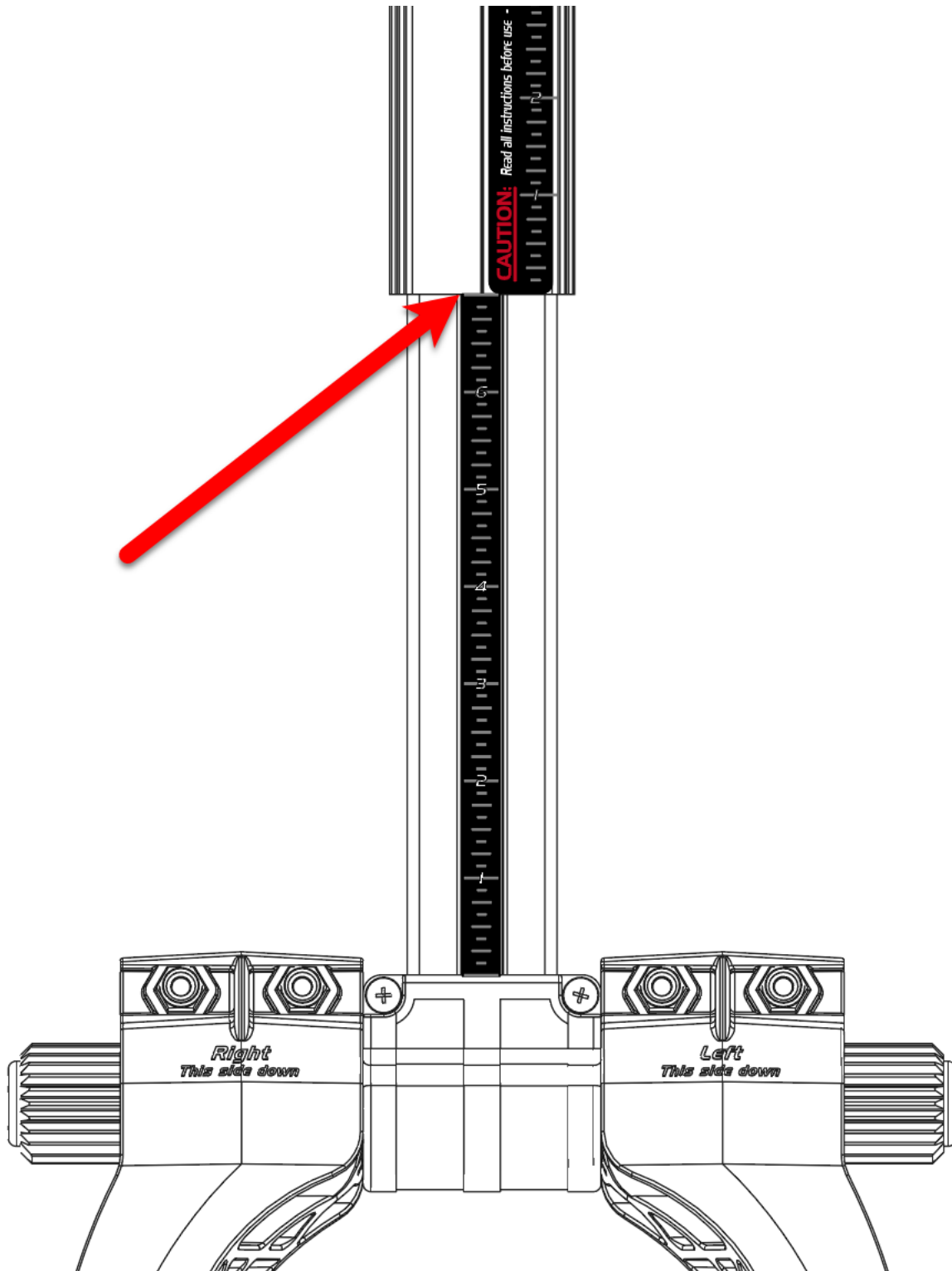




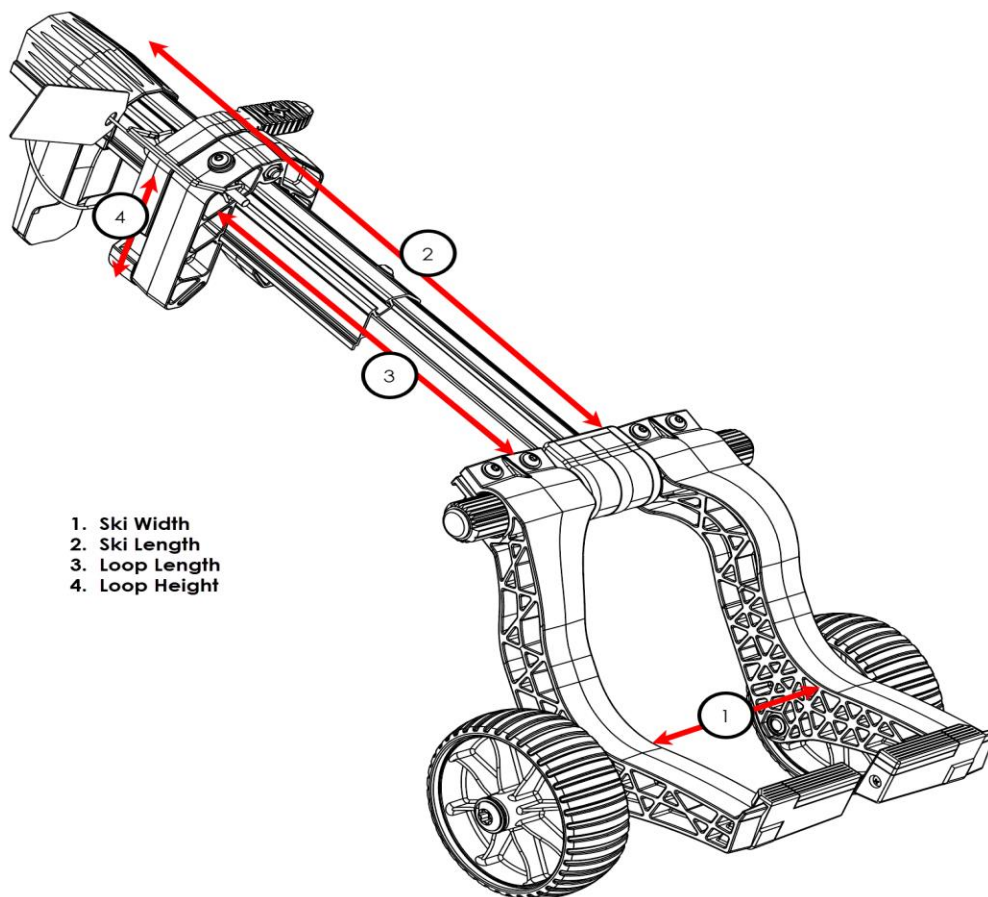
- Slide the Saddle/Latch assemblies (5) over the Telescoping Handles (9) with the latch side first. Slip a ¼” square nut (15) into the Telescoping Handle T-slot, and secure with a ¼-20 x 1.5” screw (11), and a ¼” washer (16). Use Table 2 to find the location of the saddle for your ski. Move the saddle to the correct location per the table. The image below shows a saddle at 4”. If your ski is not in the table, the saddle/latch should be at about 7”, and will be adjusted later. Leave the safety pin out of its hole in the latch.



6. Place a ¼” square nut (15) in the T-slot of the T-Handle and then slide a Telescoping handle onto the T-handle, lining up the nut with the hole in the Telescoping Handle. Install a ¼-20 x 0.5” screw (12) and ¼” washer (16). Use Table 2 to find the extension for your ski. Move the telescoping handle to the correct location per the table. The image below shows the end of the telescoping handle at 7”. Tighten the screw (approximately 4 ft-lbs). If your ski is not in the table, the saddle/latch should be at about 7-8”, and the handle will be adjusted to fit the ski later.

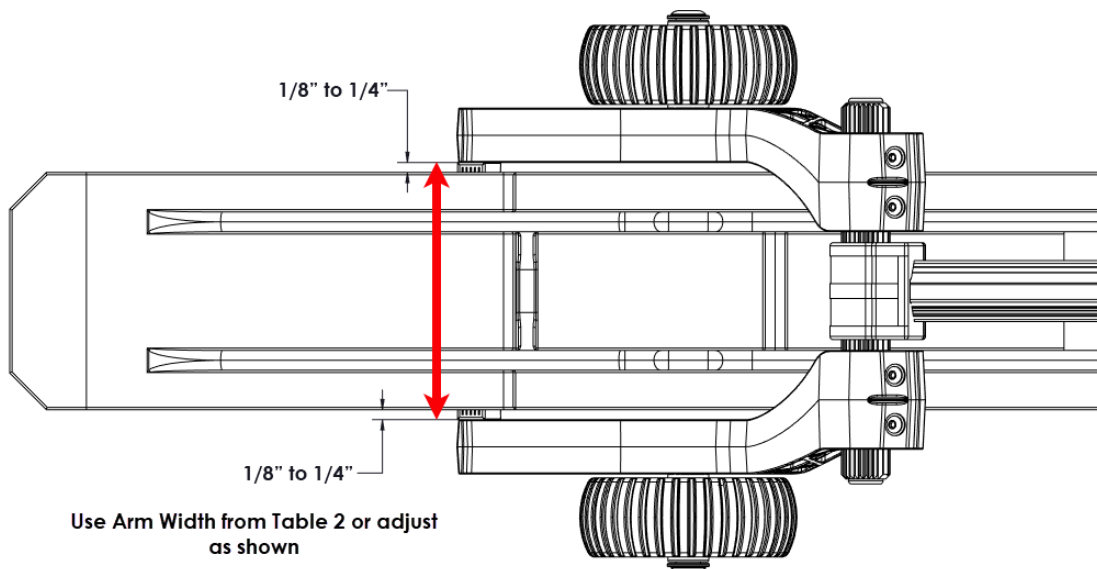


Adjustment:

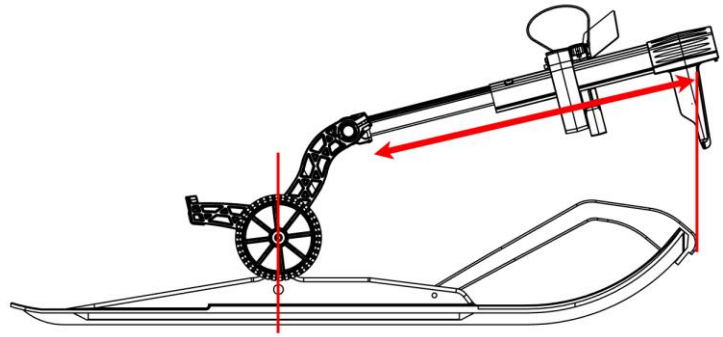


Key adjustments

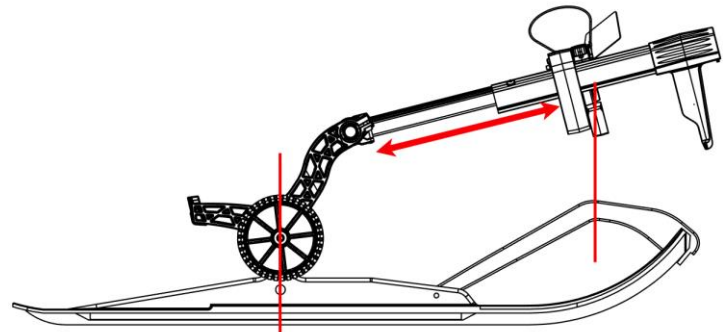
1. If you have used Table 2 to pre-set your Sled Wheels, proceed to step 5 below.
2. If not done previously, adjust the width of each Sled Wheel assembly to be approximately $\frac{1}{2}$ " wider than the ski. Include space to avoid the ski spindle bolt if it sticks out past the ski. Tighten, but do not over tighten the arm clamp screws (approximately 4 ft-lbs).



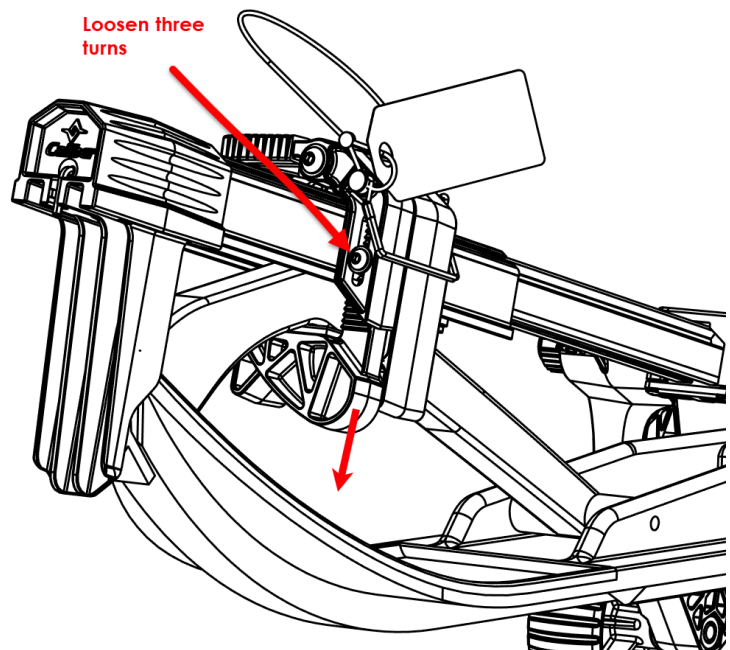
3. Position one Sled Wheel assembly above the ski so that the Sled Wheels axle is directly above the ski spindle axle. Loosen the Telescoping handle screw and move the handle so it hits the end of the ski. Tighten the screw (approximately 4 ft-lbs).



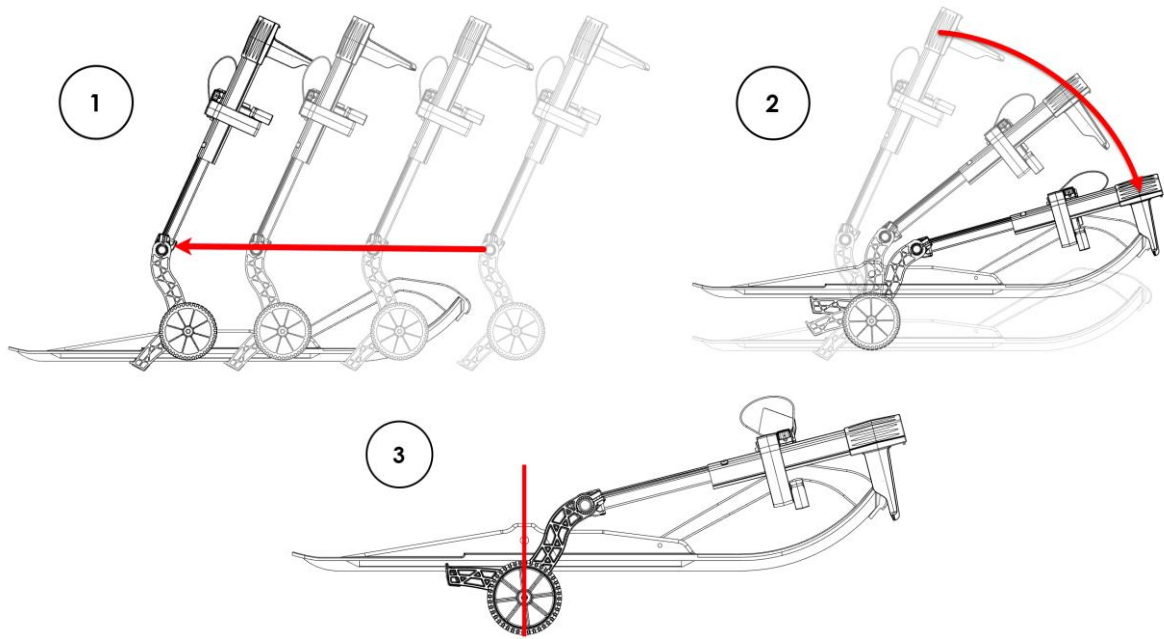
4. Adjust the saddle/latch assembly so that the latch will close at the peak of the ski loop. Tighten the saddle screw (approximately 4 ft-lbs).



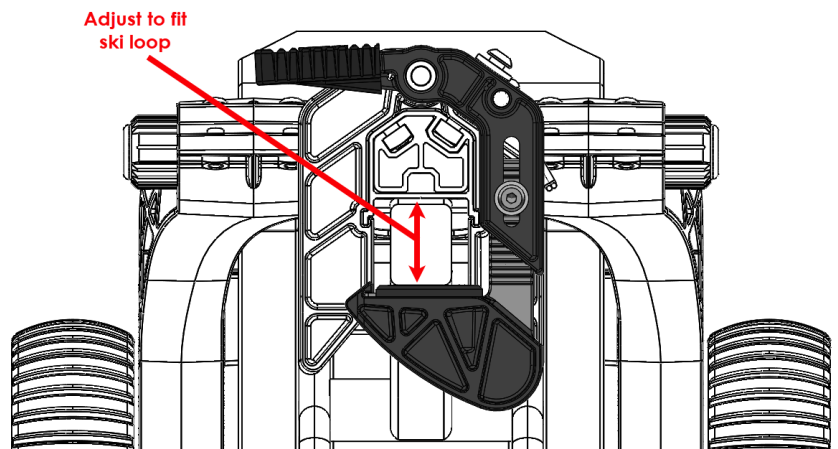
5. Loosen the latch adjustment screw three turns so that the lower portion of the latch is moveable. Slide the latch all the way down.



6. Grab one Sled Wheel assembly by the handle, hold it vertically, and slide the fingers under the ski until the wheel axle is in line with the spindle bolt. You may need to lift the ski loop to create space under the ski. Rotate the assembly down to raise the ski and check the length of the telescoping handle. Adjust as necessary to keep the Sled Wheels axle and the spindle axle in line.



7. When the handle and saddle (Upgraded in Black Nylon) are in place, and the Sled Wheels assembly is installed onto the ski, the latch should swing open and close around the ski loop. Slide the latch up until it just touches the ski loop and tighten the screw (approximately 4 ft-lbs). Do not over-tighten.



8. Fine adjustment: If the ski tips forward or backward, Sled Wheels need slight adjustments. If the ski tips forward, the Sled Wheels axle is behind the ski spindle axle. Shorten the telescoping handle until the two axles line up. Conversely, if the ski tips backwards, lengthen the telescoping handle. Also, check your ski bushings; they should be tight and not worn. Good bushings will help your ride and help keep your ski horizontal when riding with Sled Wheels.
9. Adjust the second assembly to the same locations as the first.

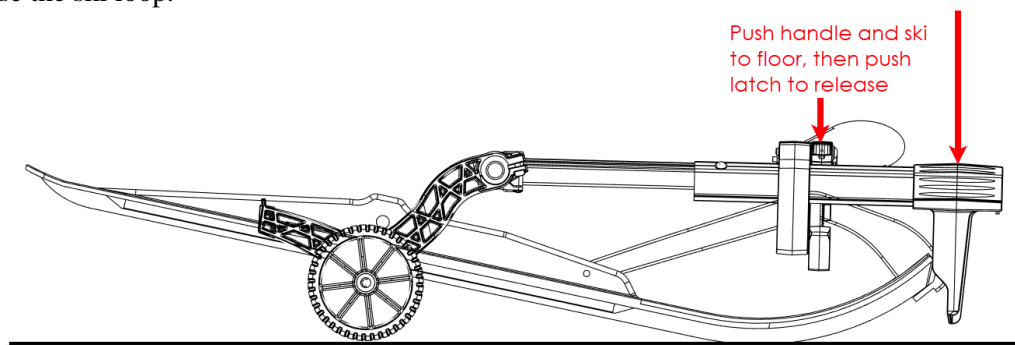
Attach to skis:

1. Grab one Sled Wheel assembly by the handle, hold it vertically, and slide the fingers under the ski until the wheel axles are in line with the spindle axle. You may need to lift the ski loop to create space under the ski. Rotate the assembly down to raise the ski until the latch closes around the ski loop. **Install and lock the safety pin.** Repeat for the second ski.

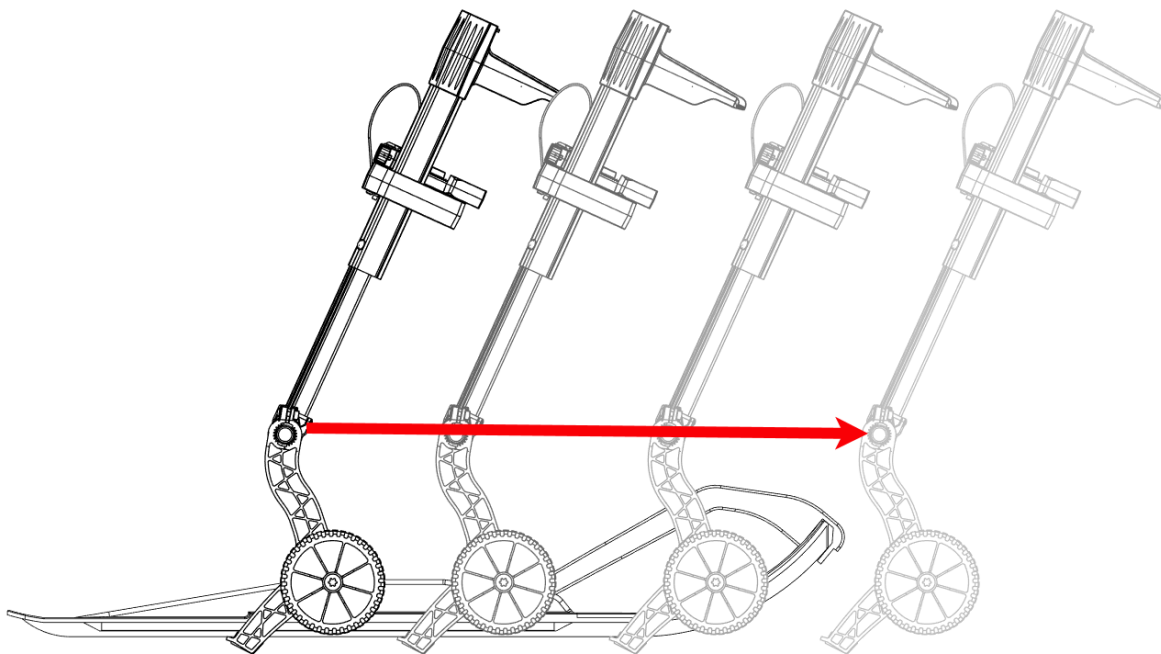
Caution: Do not exceed 12 miles per hour while driving on Sled Wheels.

Detach from skis:

1. Remove safety pin from latch. Push down on handle to remove the weight of the snowmobile, and push the latch lever to release the ski loop.



2. Slowly move the handle up. Remove Sled Wheels from the ski, lifting the ski loop if necessary. Close latch and replace safety pin. Store fully assembled, ready for your next ride!



SKI-DOO										
SKI	Ski Stop Extension	Saddle Position	Arm Width	Extenders		SKI	Ski Stop Extension	Saddle Position	Arm Width	Extenders
DS 2	6	6 3/8	6 3/4	Do not cut		PILOT 5.9	6	5 1/2	6 1/4	Cut one extender to fit
DS 3	6	6 3/8	6 3/4	Do not cut		PILOT TS	5 1/2	6 3/8	6 1/4	Cut one extender to fit
POLARIS										
GRIPPER	5 1/2	6 7/8	7 1/4	Do not cut		PRO-STEER	5 1/2	6 7/8	7	Do not cut
ARCTIC CAT										
PROCLIMB 7	8 1/2	6 3/8	7 3/8	Do not cut		PROCROSS 6	7 5/8	6 3/8	6 5/8	Do not cut
YAMAHA										
GEN 3 TUNER	5 1/2	6 7/8	6 1/2	Do not cut		MOUNTAIN	5 1/2	6 7/8	6 1/2	Do not cut
C&A PRO										
MINI	0	3 7/8	5 1/4	Do not cut		XPT	7 1/8	3 7/8	7 1/2	Do not cut
XT	7 1/2	3 7/8	7 1/2	Do not cut		RZ	7 1/8	3 7/8	6 1/2	Do not cut
SLP										
MoHawk	3	6 3/8	7 1/2	Do not cut						

Table 2

DISCLAIMER

Caliber, Inc. shall not be liable for any special, incidental or consequential damages, including, but not limited to, lost revenues, lost profits, personal injury, damage to property, and third-party claims, arising out of any warranty, contract, statutory or tort. Notwithstanding the term of any limited warranty or any warranty implied by law, or in the event that any limited warranty fails of its essential purpose, in no event will Caliber's entire liability exceed the purchase price of this product.

CALIBER®

Notice: The Hook & Saddle assembly for this kit has been upgraded to a 2.5X stronger nylon(Black) material. For best results on loading and unloading in your trailer please use Caliber Edge Glides 2.0(#13390-13392) on your Door Transitions.

Looking for dependable automotive lifts and stands? Rely on Caliber for quality and long-lasting products.