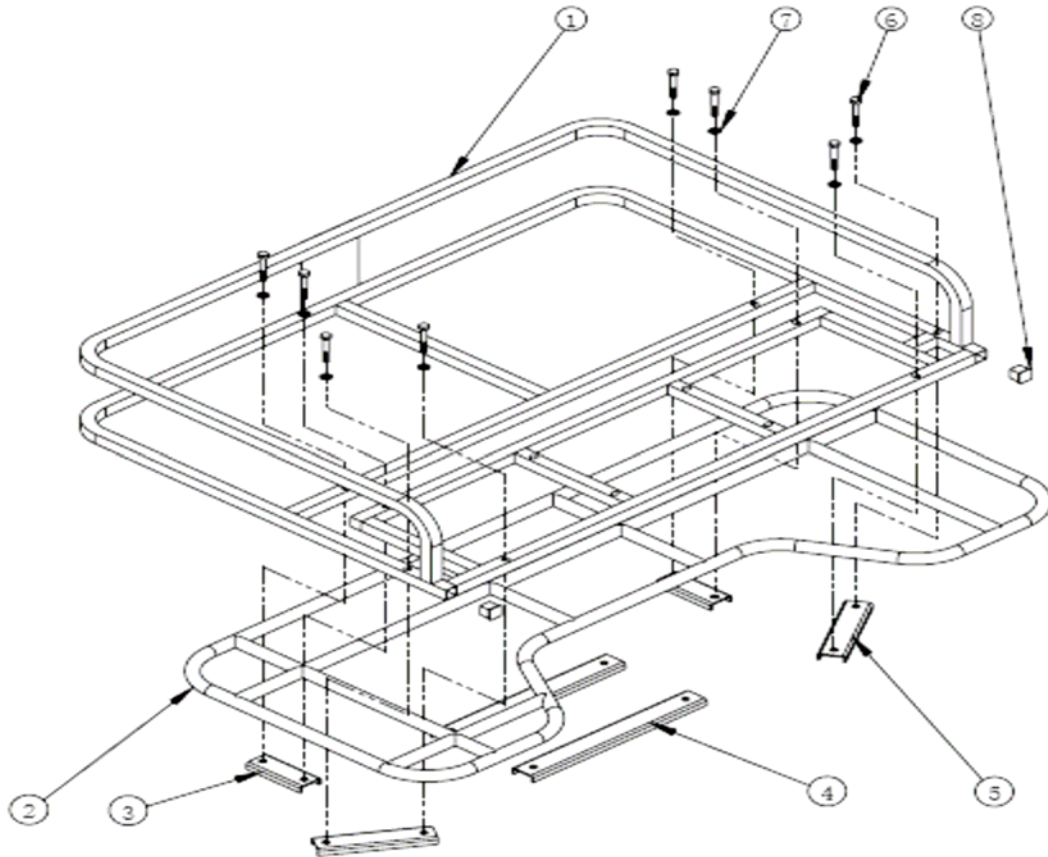




ATV Cargo Carrier
Operation Manual & Safety Instruction
Model: 18101
Installation A



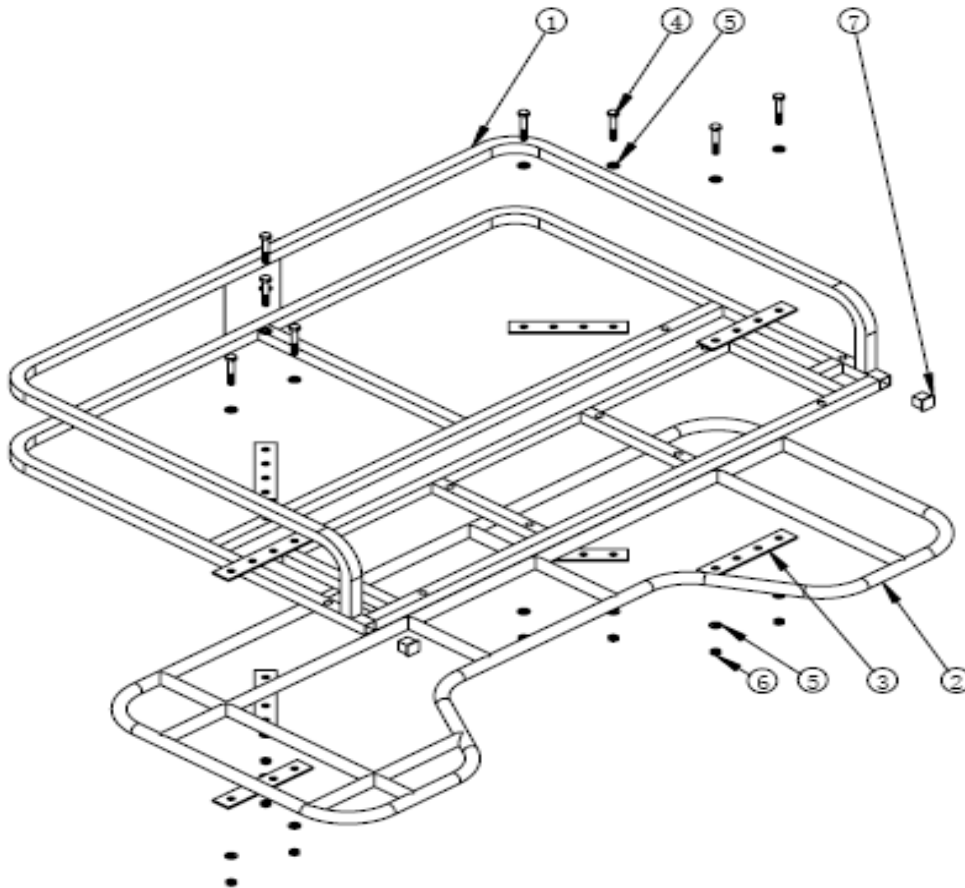
1. Unpack all parts and identify according to FIG.1&2 and PARTS LIST 1&2.
2. Position the rear flat rack (part no. 18100) so it is centered on the rear rack of the ATV.
 - a. The rack extension of the ATV may have to be removed before the basket can be installed.
3. Position any two sets of mount plates under the ATV rack so the mounting plates holes line up with the holes of the rear flat rack. Insert M8*50 bolts (part no. DB-11) through washers (part no. DB-10), rear flat rack, and into the mount plates. Leave the bolts loose until all the bolts have been installed.
 - a. If the mount plates don't work, refer to the **Assembly/Mounting Installation B** on the back of this sheet.
4. Align the rear flat rack evenly on the ATV rack and tighten all bolts.
5. Insert the plugs (part no. DB-6) into square tubes

PARTS LIST

ITEM	Q'TY	PART NO.	DESCRIPTION	ITEM	Q'TY	PART NO.	DESCRIPTION
1	1	RF-1	REAR FLAT RACK	5	2	DB-8	MOUNT PLATE,5.4"
2	1	N/A	ATV RACK	6	12	DB-11	BOLT M8*50
3	2	DB-9	MOUNT PLATE,3"	7	12	DB-10	FLAT WASHER,M8
4	2	DB-7	MOUNT PLATE,11.75"	8	2	DB-6	SQUARE TUBE PLUG



**ATV Cargo Carrier
Operation Manual & Safety Instruction
Model: 18101
Installation B**



1. Position the mount brackets (part no. DB-12) so when the bolts are installed they will be on both sides of a frame rail of the rear flat rack (part no. RF-1) and the ATV rack. Using mount brackets, M6*75 bolts (part no. DB-13), lock nuts M6 (part no. DB-5), and flat washers M6 (part no. DB-3), secure the rear flat rack to the ATV rack.
2. Repeat step 1, space the mount brackets out evenly over the surface of the rear flat rack.
3. Insert the plugs (part no. DB-6) into square tubes

PARTS LIST

ITEM	Q'TY	PART NO.	DESCRIPTION	ITEM	Q'TY	PART NO.	DESCRIPTION
1	1	RF-1	REAR FLAT RACK	5	16	DB-3	FLAT WASHER M6
2	1	N/A	ATV RACK	6	8	DB-5	LOCK NUT M6
3	8	DB-12	MOUNT BRACKET	7	2	DB-6	SQUARE TUBE PLUG
4	8	DB-13	BOLT M6*75				