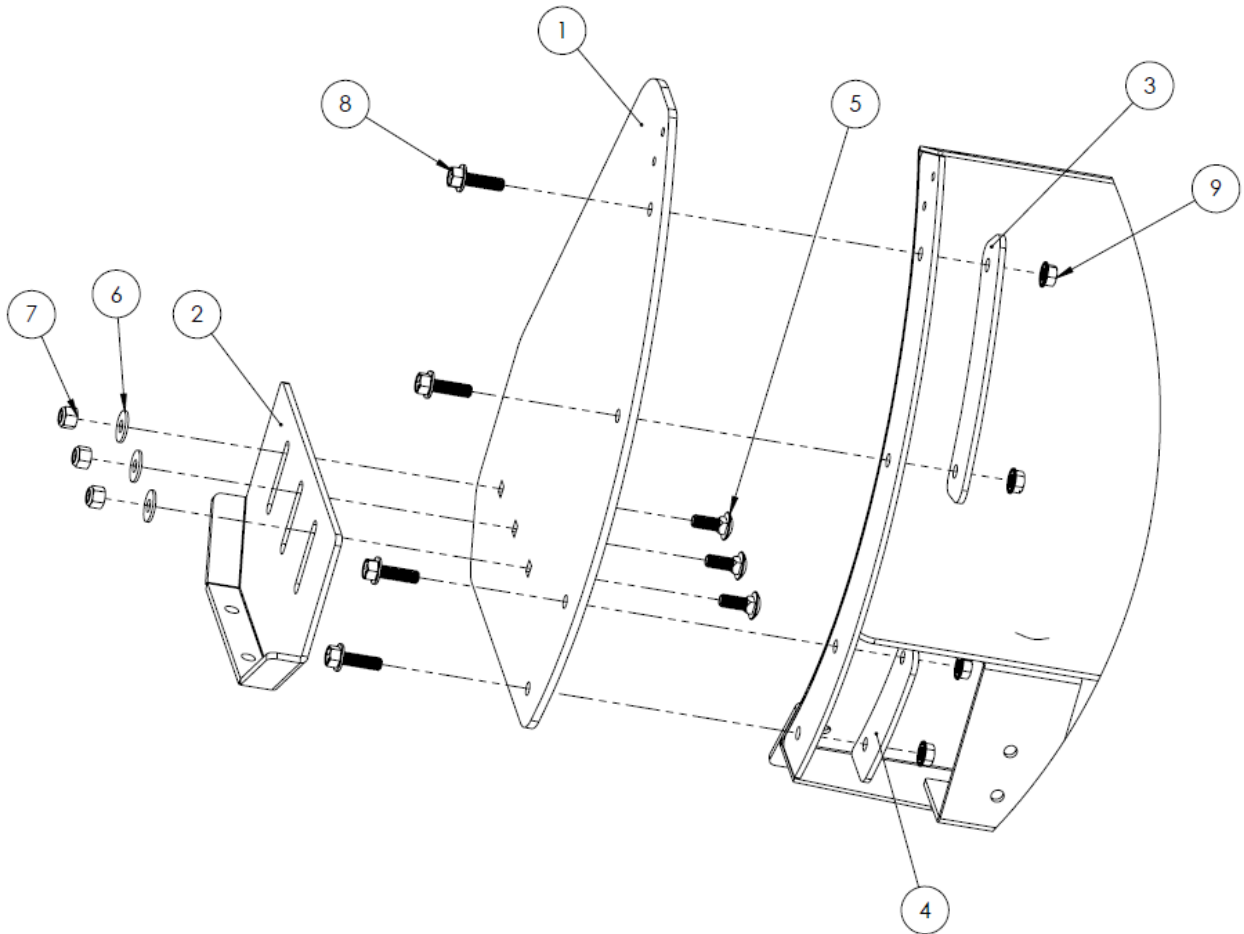




60" / 66" / 72"
UTV Straight Blade Plow
Box End

Kit Contents:

Part #	Qty	Description
1	2	Box End
2	2	Box End Skid Foot
3	2	Top Support Bracket
4	2	Bottom Support Bracket
5	6	3/8" x 1.00" Carriage Bolt
6	6	3/8" Flat Washer
7	6	3/8" Nylock Nut
8	8	3/8" x 1.25" Serrated Flange Bolt
9	8	3/8" Serrated Flange Nut



Installation

1. Install the Box Ends (part #1) to the end of the plow using the 3/8" Serrated Flange Bolts (part #8), the Top Support Bracket (part #3), the Bottom Support Bracket (part #4), and the 3/8" Serrated Flange Nuts (part #9).
2. After both Box ends are installed, use the provided 3/8" x 1.00 Carriage Bolts (part #5), 3/8" Washers (part #6), and 3/8" Nylock Nuts (part #7) to attach the Box End Skid Feet (part #2) to the Box End. Set the Box End Skid Feet as close to the height of the Plow Skid Feet as possible.

After First Time Use

3. After the first use of your plow, check and retighten all hardware at least once, in case your plow has flexed and the Box Ends have loosened.