



motoalliance

VIPER PLOW SYSTEM / Polaris Sportsman 2002 and Newer 600/700/800 MA11106

Thank you for purchasing the premium VIPER PLOW system. You now have a top-of-the-line plow system to using for shoving aside snow and dirt with the use of your ATV. Please note the following instructions and heed all warnings.

WARNING!!!

SEVERE INJURY OR DEATH MAY RESULT IF YOU IGNORE ANY OF THE FOLLOWING.

- Read the Plow Operator’s Manual, the Winch Operator’s Manual, and all warning labels before operating.**
- Operate ATV at a walking speed with the blade installed. Do Not exceed 5mph (8 km/h) even with the blade up.**
- Plow Cautiously, impact with a hidden or stationary object may cause the ATV to stop suddenly or go out of control.**
- Do Not operate the ATV on slopes greater than 10° with the plow installed.**
- Do Not stand or ride on the plow.**
- Stay clear of moving parts and joints. Keep others away when operating or adjusting plow.**
- Inspect the plow mechanism, fasteners, cable, and adjustments before operating. Replace all worn or damaged parts before operating.**
- Lower the plow to the down position before leaving the ATV unattended.**



PARTS LIST

Plow Mount- 1
Clamp Plate- 1
1/4" dia x 3/4" long bolt- 4
1/4" dia flat washer- 4
1/4" dia nylock nut- 4
5/16" dia x 2" long bolt- 2
5/16" dia x 1-1/4" Wide Square U-bolt 2
5/16" dia flat washer- 2
5/16" dia nylock nut- 6

CAUTION

USE EXTREME CAUTION WHEN DRILLING THROUGH THE SKIDPLATE. EVERY EFFORT HAS BEEN MADE TO ENSURE THAT THE HOLE POSITIONS ON THE CROSSMEMBER WILL NOT ALLOW THE DRILL BIT TO CONTACT ANYTHING ELSE ON THE BIKE. BUT VARIATIONS IN MANUFACTURING AND INSTALLATION MAY CHANGE THAT. KEEP AWAY ALL HANDS AND LIMBS THAT MAY BE IN THE PATH OF THE ROTATING BIT. ONLY DRILL THROUGH THE SKIDPLATE AND NOTHING ELSE ON THE BIKE. NOT DOING SO MAY SERIOUSLY DAMAGE/INJURE THE BIKE AND OPERATOR.

CAUTION

FAILURE TO TIGHTEN THE MOUNTING BRACKET BOLTS MAY CAUSE SERIOUS DAMAGE TO YOUR PLOW MOUNT AND BIKE. BE SURE TO TIGHTEN THEM SNUGLY.

Plow Mount Assembly:

1. Place the clamp plate over the top of the ATV frame just behind the front wheels. It may be necessary to loosen the four (4) differential bolts to give the drive shaft some flexibility. Retighten after the clamp plate is in place.
2. Place the plow mount plate under the vehicle just below the clamp plate and behind the lip on the front skid plate as shown in figure 1.

3. Slide two 5/16" dia x 2" long bolts through the clamp plate and through the plow mount plate. Terminate the bolts with a 5/16" dia flat washer and 5/16" dia nylock nut.

NOTE: Do not tighten the bolt and nut completely.

You will do this later in the installation.

4. Slide the four 1/4" dia x 3/4" long bolts through the plow mount plate and clamp plate. Terminate the bolts with a 1/4" dia flat washer and 1/4" dia nylock nut as shown in figure 1.

NOTE: Do not tighten the bolt and nut completely.

You will do this later in the installation.

5. Slide two 5/16" dia x 1-1/4" wide square U-bolts over the top of the square tubing of the bike frame and through the plow mount plate. Terminate the ends of the U-bolts with a 5/16" dia nylock nut as shown in figure 2. Tighten the nuts to a recommended torque of 14 ft-lb.

NOTE: Do not install 5/16" flat washers on the ends of the U-bolts. Washers will interfere with the lip of the skid plate.

6. Next, tighten the two 5/16" dia x 2" long bolts and 5/16" dia nylock nuts to a recommended torque of 14 ft-lb.

7. Finally tighten the four 1/4" dia x 3/4" long bolts and 1/4" nylock nuts to a recommended torque of 7 ft-lb. The completed assembly should look like figure 3.

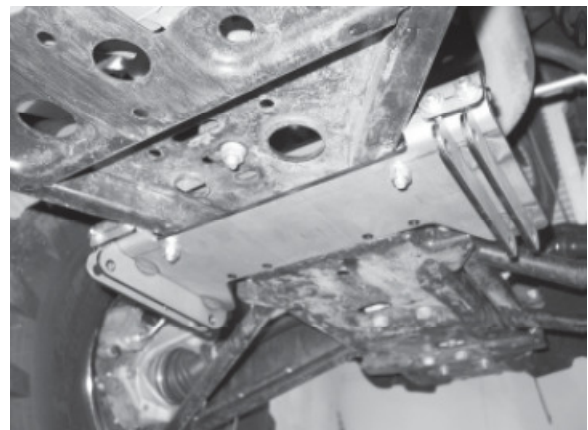


Figure 1 Install Bolts on Plow Mount Plate

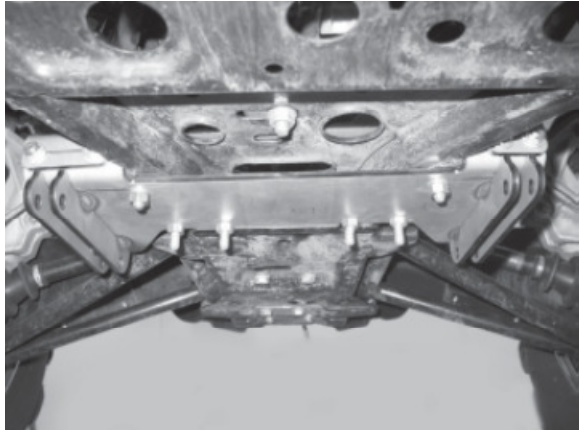


Figure 2 Install U-Bolts on Plow Mount

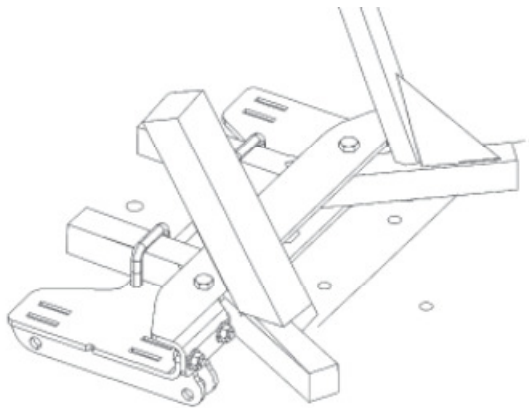


Figure 3 Assembled Plow Mount

not interfere with clearance. The plow can be easily attached and detached on the welded u-bolt with the clevis hook on a winch or a manual lift assembly.

Plow mount installation is now complete and should look like figure 7.



Figure 7

Plow Installation:

1. Slide the plow into position with the tubes under the ATV. Lift the end of the tube assembly into position so the holes in the tube wings line up with the 3/8" holes in the frame brackets (Figure 2).
2. A Phillips head screwdriver may be used to align the holes. Insert both 3/8" pins and hook the retaining clips on the ends of the pins to secure the plow to the ATV.
3. The plate should now be a permanent part of your ATV and will

