



**Denali Plow Mount**  
**MA11110 Sportsman 1000**

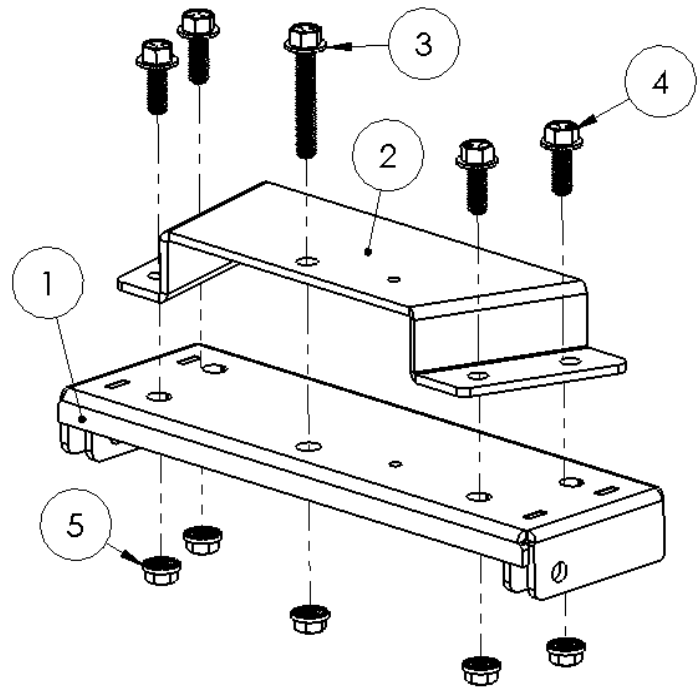
**Polaris Sportsman 1000  
MA11110**



Please verify that all hardware and parts are included in your package.

**Kit Contents:**

Item	Description	Qty
1	MA11110 Base Plate	1
2	MA11110 Rear Strap	1
3	3/8" x 2 1/4" Serrated Hex Bolt (92323A563)	1
4	3/8" x 1" Serrated Hex Bolt (92323A554)	4
5	3/8" Serrated Flange Nut (95922A130)	5



**INSTALLATION:**

1. Insert the Rear Strap over the Sportsman 1000 frame, just behind the Drive Shaft U-Joints as shown in Figure 2. Orient the Rear Strap so that the angled bends match the angles of the frame. It may be necessary to remove one of the plastic fender clips on the right hand side of the vehicle to maneuver the Rear Strap into position. Once the Rear Strap is positioned, replace the plastic clip.



Figure 2

**Polaris Sportsman 1000**  
**MA11110**



2. Hold the Plow Base Plate up to the Rear Strap to align all five bolt holes. Insert the 3/8" x 2-1/4" Serrated Flange Bolt into the middle hole at the top of the Rear Strap. Install one of the 3/8" Serrated Flange Nuts but do not tighten at this time.
3. Install the remaining four 3/8" x 1" Serrated Flange Bolts from the top of the Rear Strap, secure with the remaining four 3/8" Serrated Flange Nuts. Tighten all the bolts at this time.
4. Install the plow mount per the manufacturer's instructions.

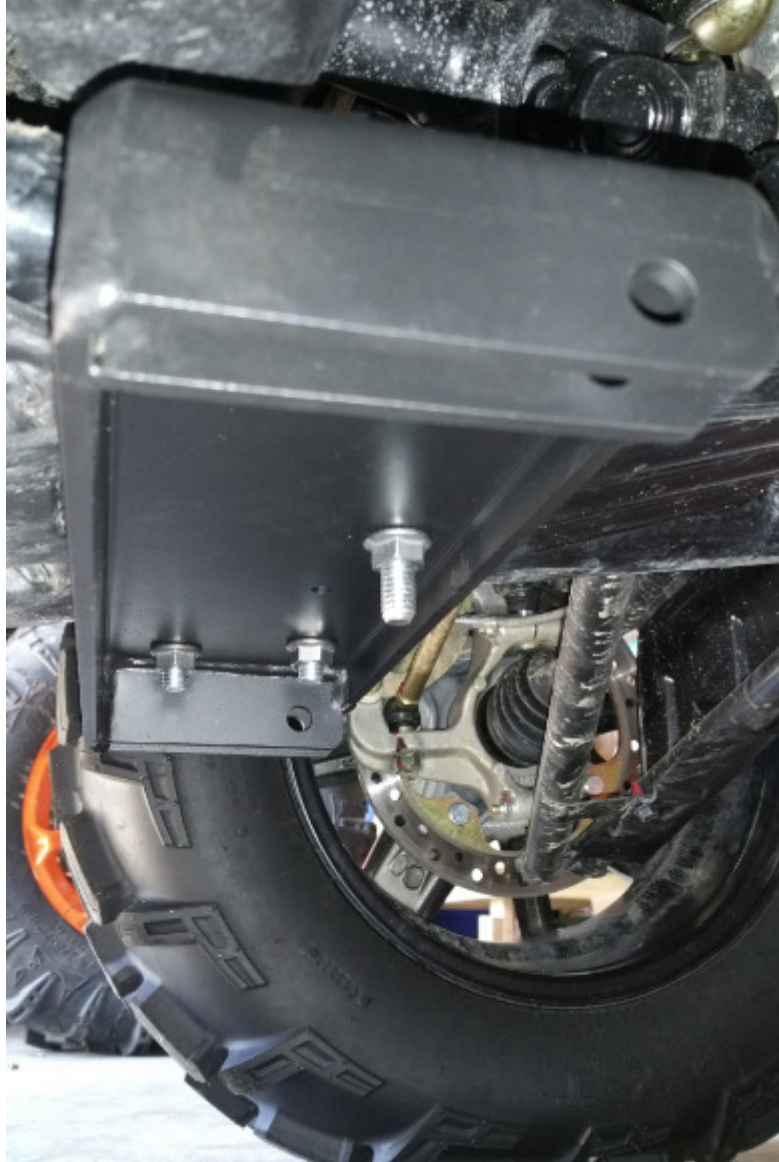


Figure 3