



DENALI Plow Lift System MA11212/MA11212W

Thank you for purchasing a DENALI Plow Lift System. You now own a premium, Plow Lift System, designed to work with Denali ATV/UTV Plows. Please note the following instructions and heed all warnings.

- Your ATV/SxS and/or plow system can cause death or injury. Please use caution and common sense when operating your unit.
- Read your Plow Operator Manual, your Winch Operator Manual, and all warning labels before operating your ATV/SxS.
- Operate your ATV/SxS at a walking speed with the blade installed. Do not exceed 5 mph (8 km/h) even with the blade up.
- Do not operate the ATV/SxS on slopes greater than 10 degrees with the plow installed.
- Always lower the plow to the down position before leaving your ATV/SxS unattended.

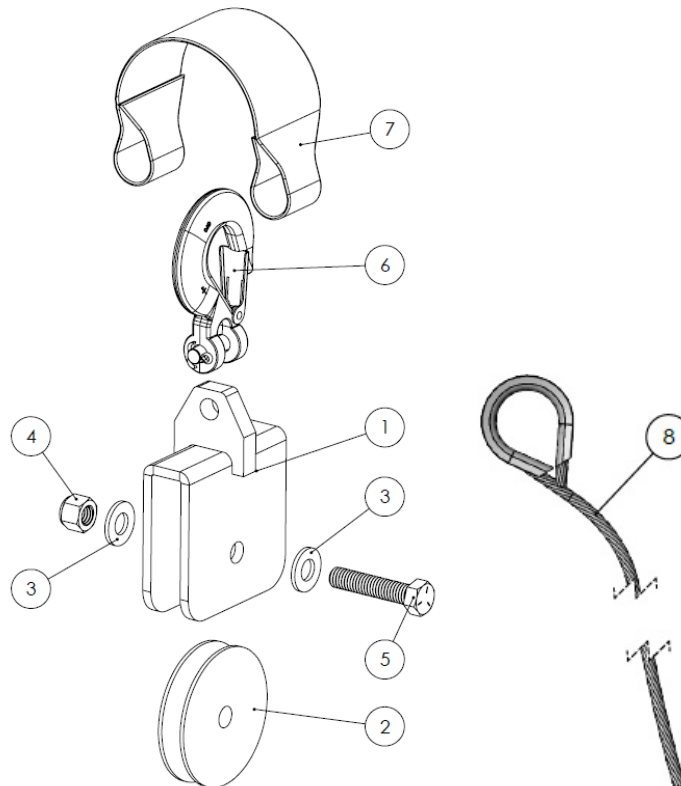
SEVERE INJURY OR DEATH MAY RESULT IF YOU ARE NEGLIGENT.

MA11212
Plow Lift System

Please verify that all hardware and parts are included in your package.

Kit Contents:

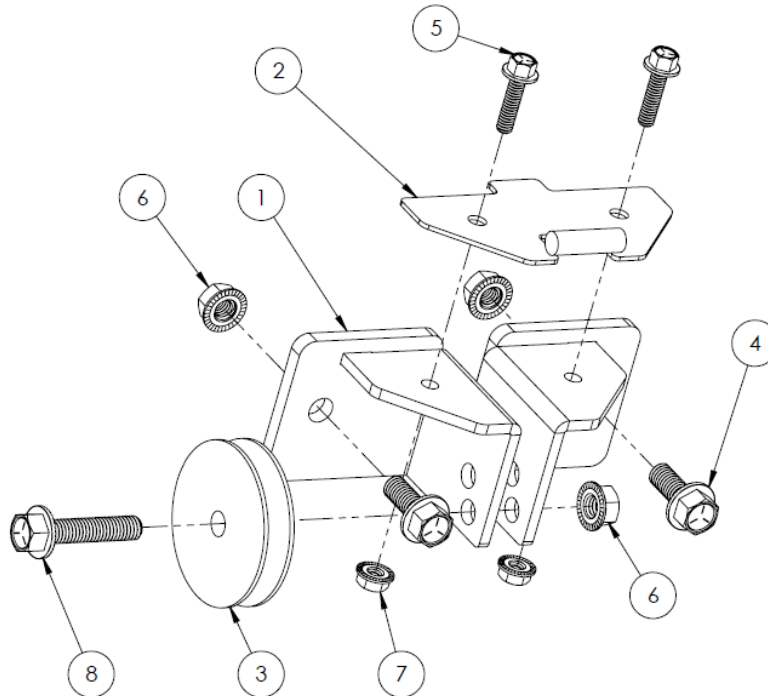
Part #	Qty	Description
1	1	MA11207-W1 Main Bracket
2	1	MA11203-4 2" Roller
3	2	3/8" Flat Washer
4	1	3/8"-16 Nylock Nut
5	1	3/8"-16 x 1.75" G5 HH Bolt
6	1	1/4" Clevis Hook
7	1	MA11207-3 Nylon Strap
8	1	12' Plow Cable



MA11207 Assembly View

MA11212
Plow Lift System

Part #	Qty	Description
1	1	MA11203-W1 Main Bracket
2	1	MA11203-W2 Cover Plate
3	1	MA11203-4 2" Roller
4	2	3/8"-16 x 1" Serrated Flange Bolts
5	2	1/4"-20 x 1" Serrated Flange Bolt
6	3	3/8" -16 Serrated Flange Nut
7	2	1/4"-20 Serrated Flange Nut
8	1	3/8"-16 x 1.75" Serrated Flange Bolt


MA11203/MA11203W Assembly View

- The Denali Plow Roller replaces your existing fairlead using the 3/8" Hardware.
- Once mounted, place the Roller Wheel between the two Side Supports and secure it using the remaining 3/8" hardware. **Installation Note: Begin with the Roller Wheel mounted to the lower of the two holes. If there is an interference with your bumper or winch mount, you can move it to the top bolt position.**
- Place your winch cable over the roller and attach it to the plow per the manufacturer's specifications. Place the Top Plate over the cable and roller then secure the Top Plate to the Roller Bracket via the 1/4" Hardware

MA11212

Plow Lift System



MA11212/MA11212W Assembly View

- Run the cable through the MA11207 main bracket and install the roller as shown in MA11207 Assembly View.
- Hook the MA11207 Pulley Sheave to the winch attachment point on your plow.
- Wrap the nylon strap around the top of your bumper or roll cage and hook the winch clevis hook through both loops as shown in the MA11212 Assembly View.
- Wind your winch cable in slowly making sure nothing the cable doesn't catch on anything.