



Denali PLOW MOUNT MA11704

'13+ Ranger XP900

'13+ Ranger XP900 Crew

'15+ Ranger 570 Full Size

'15+ Ranger 570 Full Size Crew

Thank you for purchasing our Denali plow mount(s). You now own a premium, custom plow mount to allow you to use your plow with your SxS. Please note the following instructions and heed all warnings.

- Your UTV/SxS and/or plow system can cause death or injury, please use caution and common sense when operating your unit.
- Read your Plow Operator's Manual, your Winch Operator's Manual, and all warning labels before operating your UTV/SxS.
- Operate your SxS at a walking speed with the blade installed. Do not exceed 5 mph (8 km/h) even with the blade up.
- Do not operate the UTV/SxS on slopes greater than 10 degrees with the plow installed.
- Always lower the plow to the down position before leaving your UTV/SxS unattended.

SEVERE INJURY OR DEATH MAY RESULT IF YOU ARE NEGLIGENT.

Please verify that all hardware and parts are included in your package.

Kit Content: Please refer to Figure 1

Item	Qty	Description
1	1	MA11704 Plow Mount
2	4	3/8''-16 x 1 1/4'' HH G5 Bolt
3	4	3/8'' Flat Washer
4	4	3/8''-16 Nyloc Nut G5

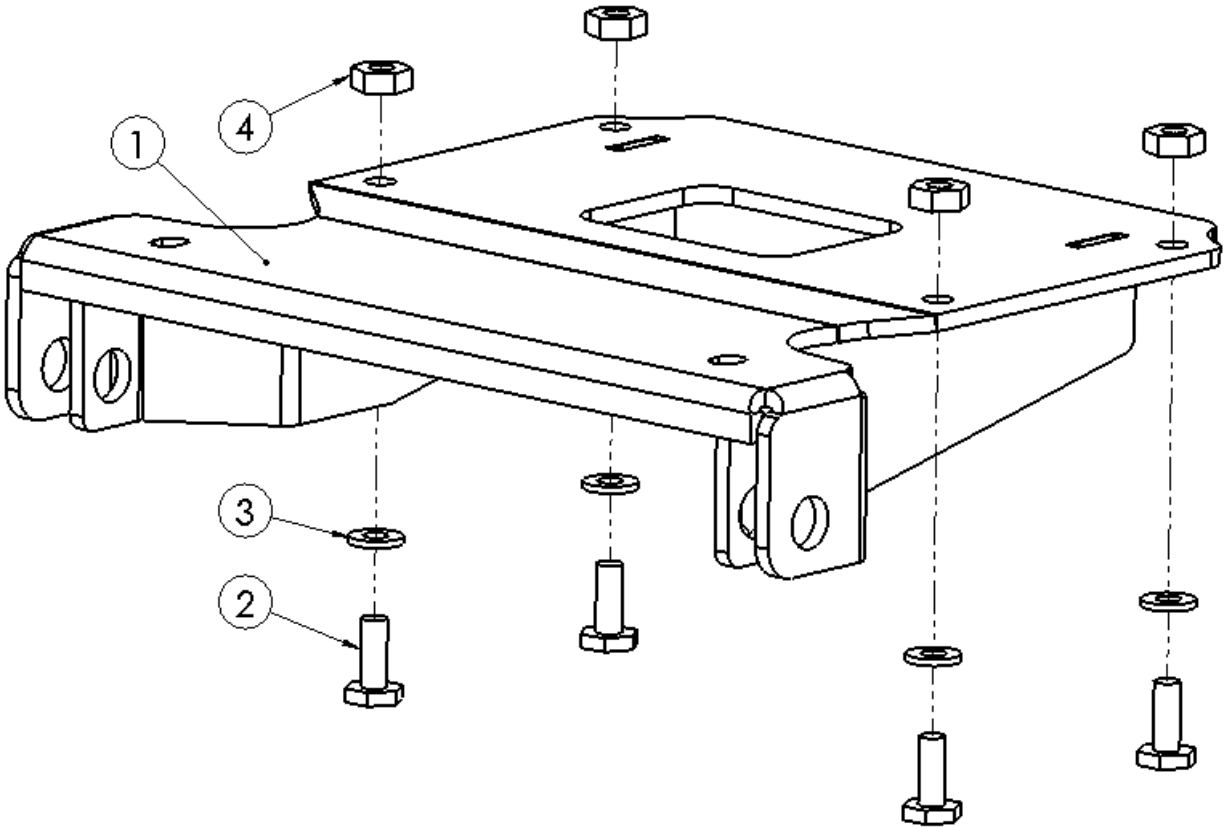


Figure 1

MA11704 Plow Mount Installation

1. Remove the bottom two bolts from the front bumper (See Figure 2), set these aside for later use.



Figure 2

2. Hold the plow mount to the bottom of your Ranger XP900 with the tabs facing down and toward the front of the vehicle. Insert the bumper bolts from Step #1 through the bottom of the mount plate and secure them loosely to the nuts.
3. Using the four 3/8" x 1 1/4" Hex Bolts, insert the bolts from the bottom side of the mount and secure them using the 3/8" washers and 3/8" Nyloc Nuts. Tighten all bolts.
4. Attach the plow push tubes to the mount via the Quick Release Pins included in your Denali Plow System.