



Denali PLOW MOUNT MA11706

RZR 1000 / RZR 900 / RZR Turbo / Polaris General

Thank you for purchasing our Denali plow mount(s). You now own a premium, custom plow mount to allow you to use your plow with your SxS. Please note the following instructions and heed all warnings.

- Your UTV/SxS and/or plow system can cause death or injury, please use caution and common sense when operating your unit.
- Read your Plow Operator's Manual, your Winch Operator's Manual, and all warning labels before operating your UTV/SxS.
- Operate your SxS at a walking speed with the blade installed. Do not exceed 5 mph (8 km/h) even with the blade up.
- Do not operate the UTV/SxS on slopes greater than 10 degrees with the plow installed.
- Always lower the plow to the down position before leaving your UTV/SxS unattended.

SEVERE INJURY OR DEATH MAY RESULT IF YOU ARE NEGLIGENT.

Please verify that all hardware and parts are included in your package.

Kit Content: Please refer to Figure 1

Item	Qty	Description
1	1	MA11706 Plow Mount
2	1	Rear Buckle
3	4	3/8" x 1 1/4" HH G5 Bolt
4	6	3/8" Flat Washers
5	6	3/8" Lock Washers
6	2	3/8" x 3/4" HH G5 Bolt
7	2	Welded Nut

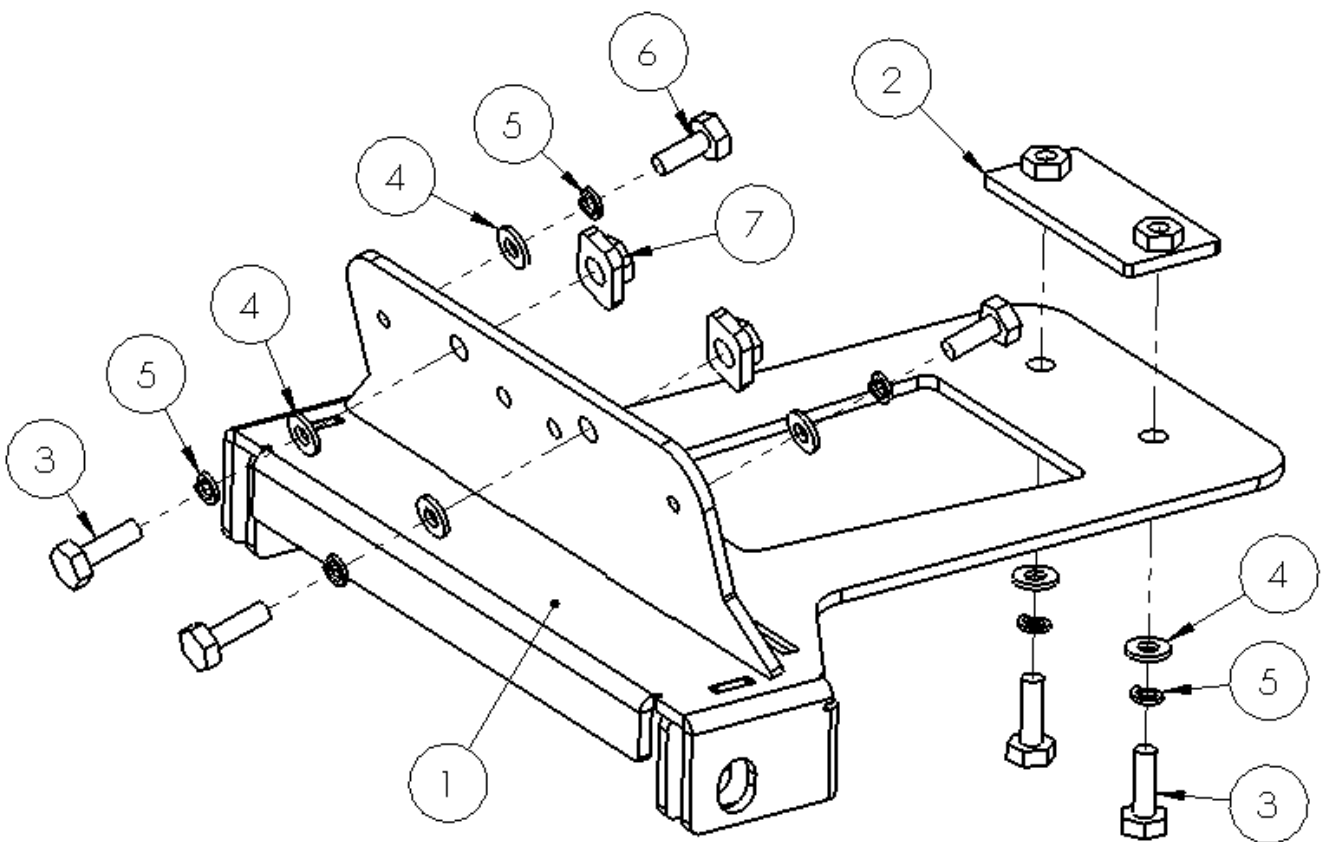


Figure 1

***For machines with an OEM Polaris Front Bumper go to page #5.**

Polaris Plow Mount Installation (Standard)

1. Insert the Rear Buckle bracket behind the differential and rest it on top of the underbody as shown below.

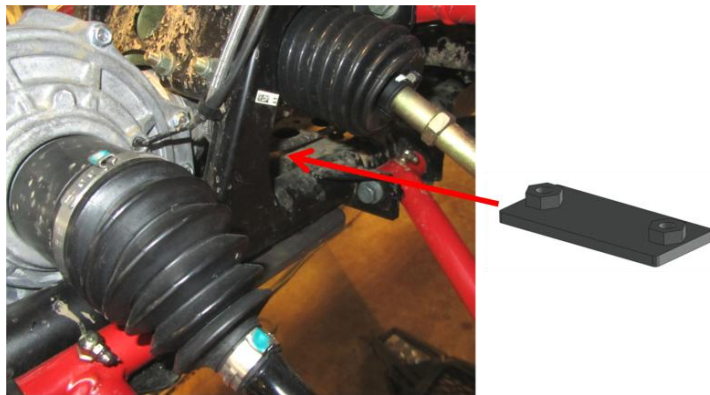


Figure 1

2. Hold the Plow Mount to the underbody such that the front angle piece rests against the front of the RZR. Align the rear holes in the mount with the two openings just behind the differential mounting bolts. Insert (2) 3/8" x 1 1/4" Hex Bolts, Lock Washers, and Flat Washers through the rear holes and use the Rear Buckle to secure the mount to the frame. **Do not tighten these bolts at this time.**



Figure 2

3. Push the front of the mount up to the frame of the RZR and insert the two middle 3/8" x 1 1/4" Hex Bolts, Lock Washers, Flat Washers. Use the Welded Nuts to secure these bolts. **NOTE:** It may be easier to remove the front plastic fender to gain additional access to tighten the bolts. The Welded Nuts should be placed at the back side of the front frame. **Do not tighten the bolts at this time.**



Figure 3

4. Install the remaining 3/8" x 1" Hex Bolts, Flat washers and Lock Washers from the rear side of the angled face of the mount. These bolts are threaded into the plow mount itself. Tighten all the bolts at this time.



Figure 4

5. Attach your Denali Plow using the Quick Release Pins and Quick Release Pin Washers included in your plow kit.

Polaris Plow Mount Installation (With OEM Bumper)

1. Begin by removing your Front Bumper
2. Insert the Rear Buckle bracket behind the differential and rest it on top of the underbody as shown below.

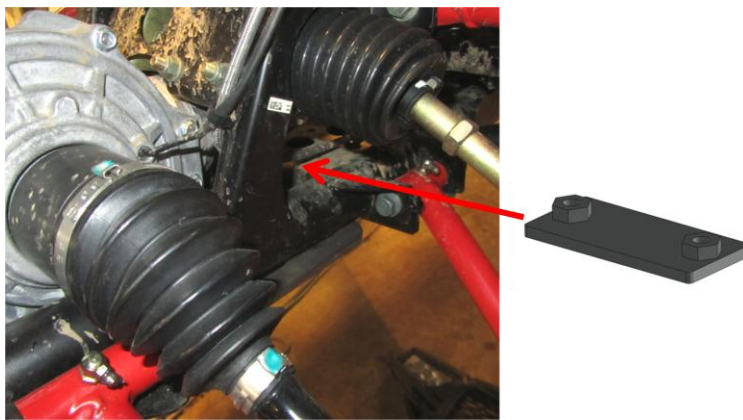


Figure 1

3. Hold the Plow Mount to the underbody such that the front angle piece rests against the front of the RZR. Align the rear holes in the mount with the two openings just behind the differential mounting bolts. Insert two (2) of the 3/8" x 1 1/4" Hex Bolts, Lock Washers, and Flat Washers through the rear holes and use the Rear Buckle to secure the mount to the frame. **Do not tighten these bolts at this time.**



Figure 2

4. Install two (2) of the 3/8" x 3/4" Hex Bolts, Flat washers and Lock Washers from the rear side of the angled face of the mount. These bolts are threaded into the plow mount itself. Do not use the wider set of center holes for this install. **Do not tighten the bolts at this time.**

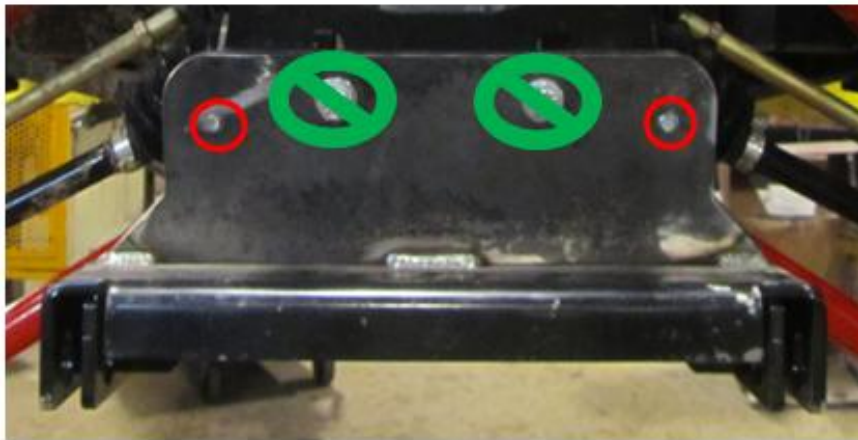


Figure 3

5. Reinstall the front bumper through the two center holes in the MA11706 mount plate using the factory hardware removed in Step 1. Tighten down all hardware.



Figure 4

6. Attach your Denali Plow using the Quick Release Pins and Quick Release Pin Washers included in your plow kit.