



Denali PLOW MOUNT MA11725

Yamaha Viking '14+

Thank you for purchasing our Denali plow mount(s). You now own a premium, custom plow mount to allow you to use your plow with your SxS. Please note the following instructions and heed all warnings.

- Your UTV/SxS and/or plow system can cause death or injury, please use caution and common sense when operating your unit.
- Read your Plow Operator's Manual, your Winch Operator's Manual, and all warning labels before operating your UTV/SxS.
- Operate your SxS at a walking speed with the blade installed. Do not exceed 5 mph (8 km/h) even with the blade up.
- Do not operate the UTV/SxS on slopes greater than 10 degrees with the plow installed.
- Always lower the plow to the down position before leaving your UTV/SxS unattended.

SEVERE INJURY OR DEATH MAY RESULT IF YOU ARE NEGLIGENT.

Please verify that all hardware and parts are included in your package.

Kit Content: Please refer to Figure 1

Item	Qty	Description
1	1	MA11725 Plow Mount
2	4	Z Brackets
3	1	1"x1" Angle Bracket
4	6	3/8"-16 x 1" G5 Serrated Flange Bolt

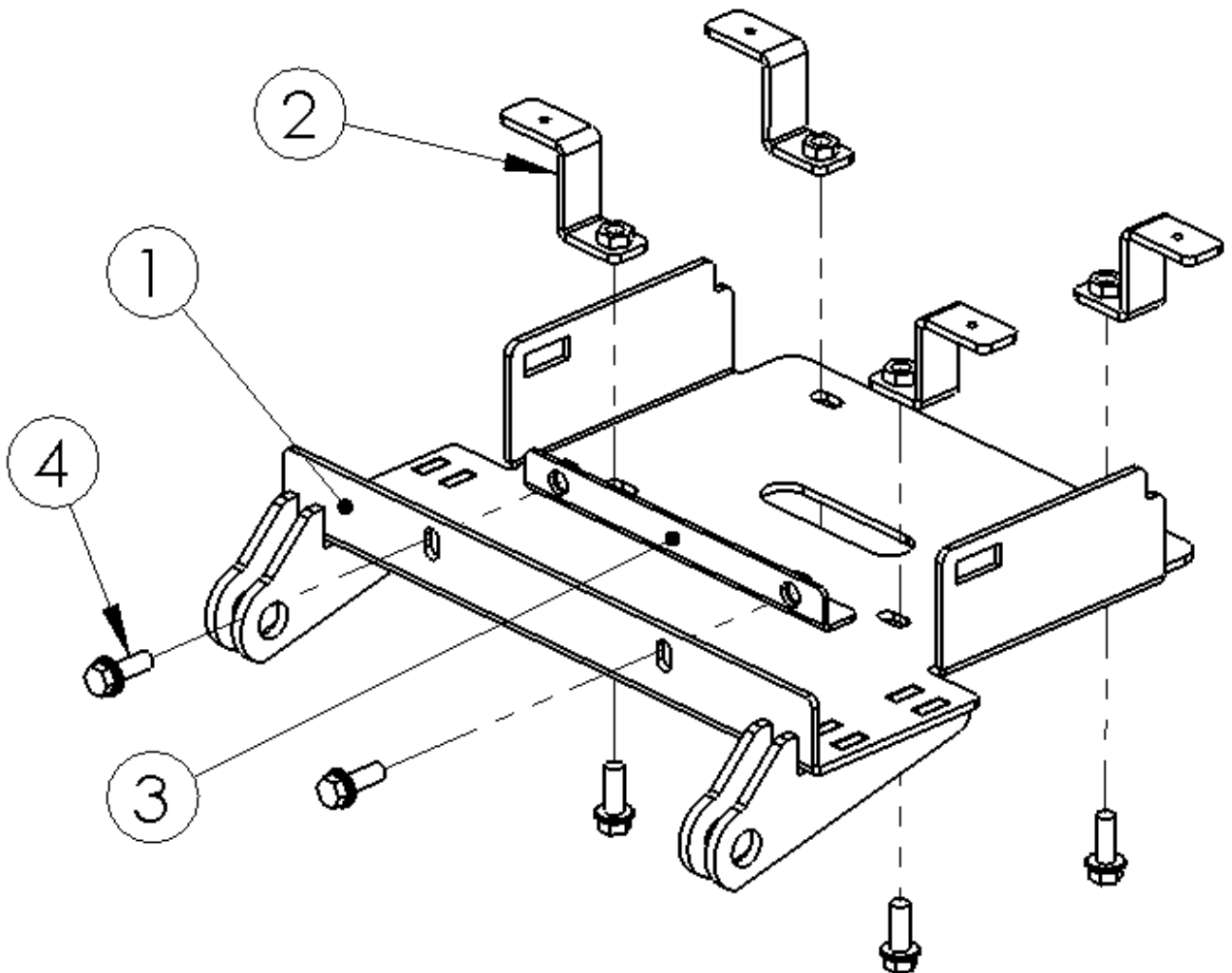


Figure 1

MA11725 Plow Mount Installation

1. Place the 1"x1" Angle Bracket inside the front frame of the Viking such that the two 3/8" holes are against the inside of the frame. Hold the plow mount up to the frame and install (2) 3/8" Serrated Flange Bolts through the mount and into the Angle Bracket to secure the mount to the frame.



Figure 2

2. Insert the (4) Z-Brackets around the rectangular tube frame below the axles and secure the Z-Brackets using the remaining (4) 3/8" Serrated Flange Bolts. **Note: The two rear brackets will not be perpendicular to the tubes.** Tighten all hardware and attach your Denali Plow System per the instructions included with the plow kit.

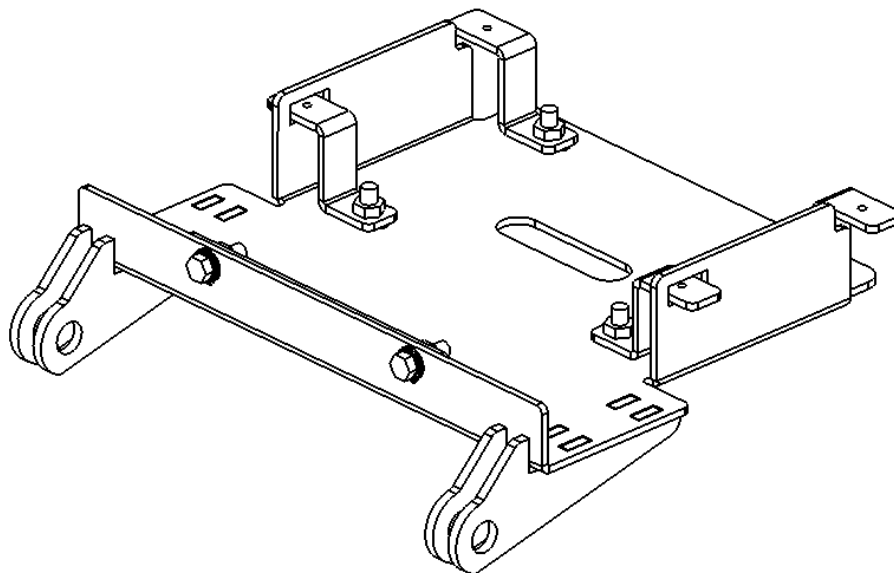


Figure 3