



DENALI Plow Mount MA11729 Yamaha Wolverine

Thank you for purchasing a DENALI plow mount. You now own a premium, custom plow mount to allow you to use your plow with your UTV/SxS. Please note the following instructions and heed all warnings.

- Your UTV/SxS and plow system can cause death or injury. Please use caution and common sense when operating your unit.
- Read your Plow Operator Manual, your Winch Operator Manual, and all warning labels before operating your UTV/SxS.
- Operate your UTV/SxS at a walking speed with the blade installed. Do not exceed 5 mph (8 km/h) even with the blade up.
- Do not operate the UTV/SxS on slopes greater than 10 degrees with the plow installed.
- Always lower the plow to the down position before leaving your UTV/SxS unattended.

SEVERE INJURY OR DEATH MAY RESULT IF YOU ARE NEGLIGENT.

Please verify that all hardware and parts are included in your package.

Kit Contents:

Part #	Qty	Description
1	1	MA11729 Plow Mount
2	1	Front Support Bracket
3	6	3/8"-16 x 1.00" Serrated Flange Bolt

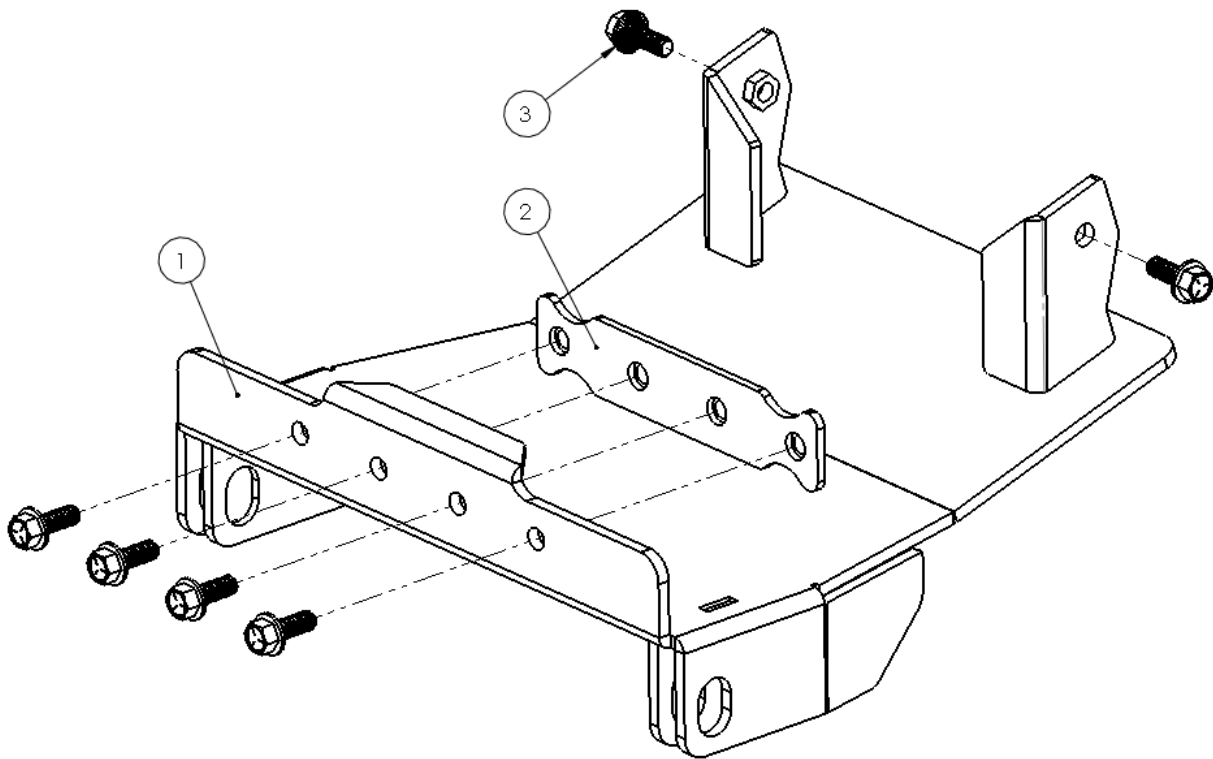


Figure 1

Yamaha Wolverine Plow Mount Installation

1. Remove the front plastic brush guard shown in Figure 2 and Figure 3. The MA11729 Plow Mount will replace the brush guard while in use.



Figure 2



Figure 3

2. Position the Plow Mount (part 1) over the front of the Wolverine's frame. Insert two of the 3/8"-16 x 1.00" Serrated Flange Bolts (part 3) into the rear supports as shown in Figure 4 and tighten.

Please Note: weld nuts are engineered on the Plow Mount

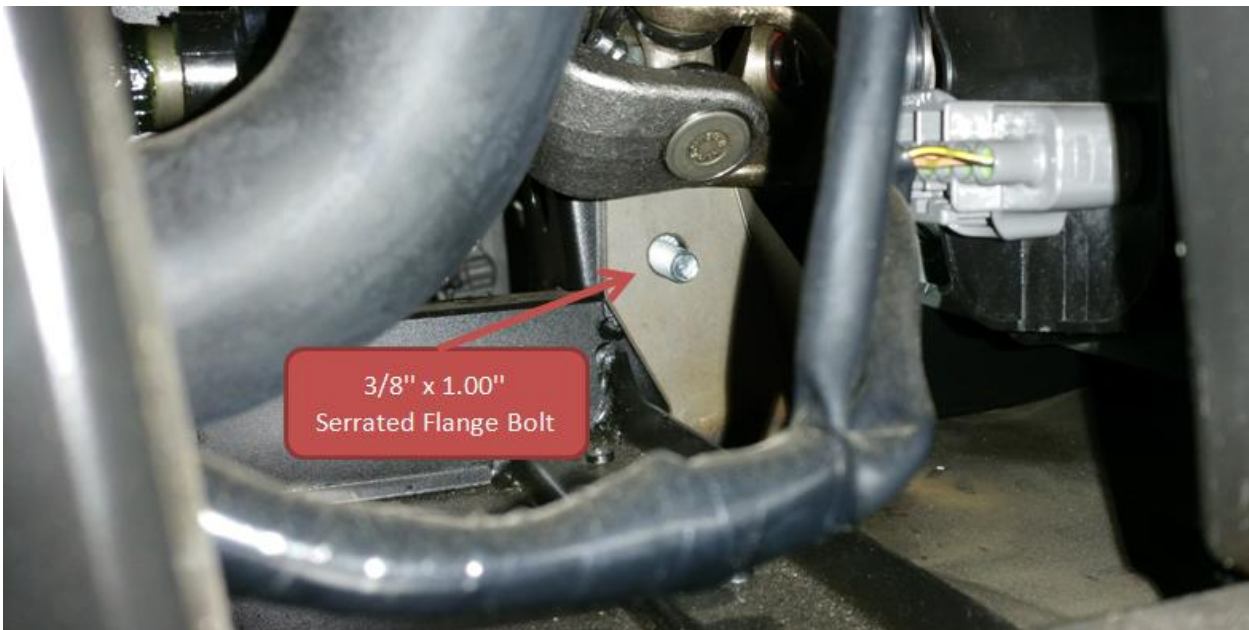


Figure 4

3. Insert the Front Support Bracket (part 2) behind the front face of the Plow Mount (part 1) such that the four holes in the Front Support Bracket (part 2) are visible through the four holes in the front of the Plow Mount (part 1). Insert the remaining 3/8" x 1.00" Serrated Flange Bolts (part 3) as shown in Figure 5 and Figure 6. Tighten the bolts.

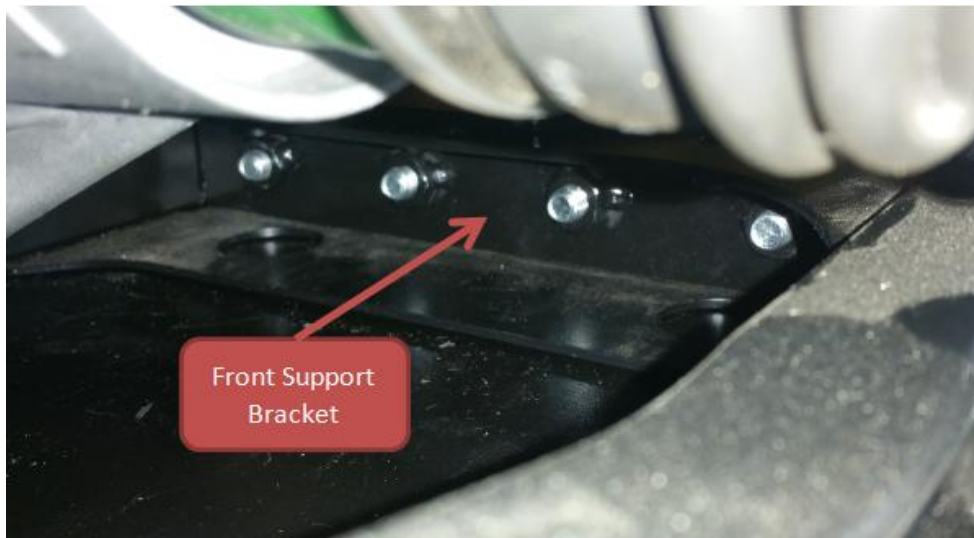


Figure 5

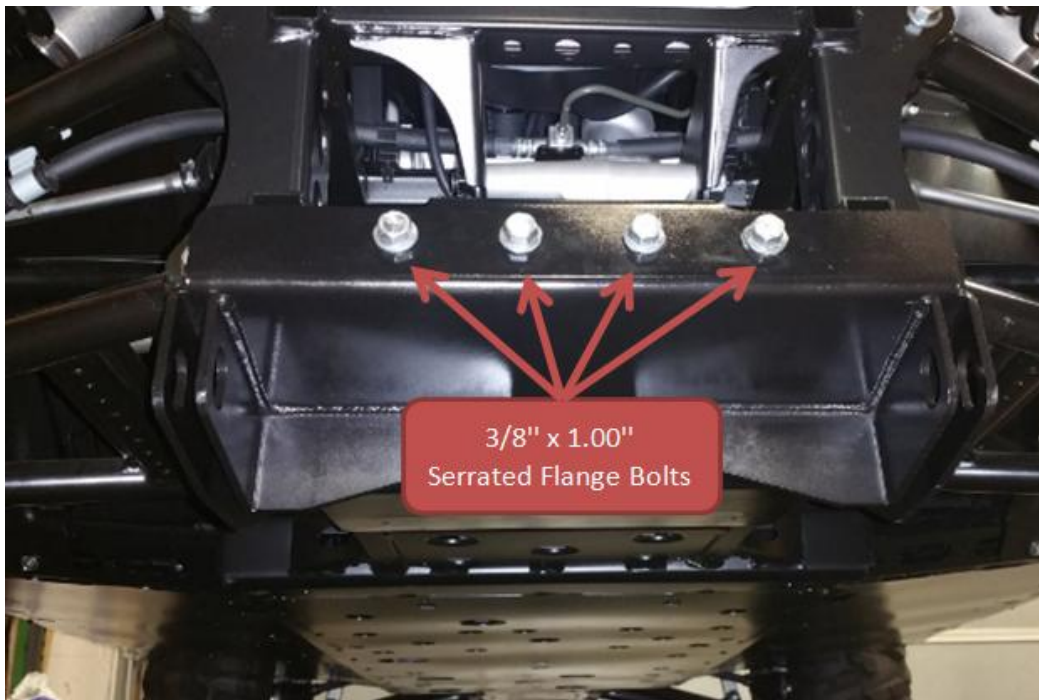


Figure 6

4. Ensure that all hardware is tightened and attach the plow using the quick release pins included with DENALI Plow Kits.