



Denali PLOW MOUNT

MA11737

Teryx 4 '12+

Teryx 2 '14+

Thank you for purchasing our Denali plow mount(s). You now own a premium, custom plow mount to allow you to use your plow with your SxS. Please note the following instructions and heed all warnings.

- Your UTV/SxS and/or plow system can cause death or injury, please use caution and common sense when operating your unit.
- Read your Plow Operator's Manual, your Winch Operator's Manual, and all warning labels before operating your UTV/SxS.
- Operate your SxS at a walking speed with the blade installed. Do not exceed 5 mph (8 km/h) even with the blade up.
- Do not operate the UTV/SxS on slopes greater than 10 degrees with the plow installed.
- Always lower the plow to the down position before leaving your UTV/SxS unattended.

SEVERE INJURY OR DEATH MAY RESULT IF YOU ARE NEGLIGENT.

Please verify that all hardware and parts are included in your package.

Kit Content: Please refer to Figure 1

Item	Qty	Description
1	1	MA11737 Plow Mount
2	1	Winch Spacer
3	2	3/8''-16 x 1.00 HH G5 Bolt
4	2	3/8'' Flat Washer
5	2	3/8''-16 Nylock Nut G5
6	4	5/16''-18 x 3 3/4'' HH G5 Bolt
7	4	5/16'' Flat Washer
8	2	Hold Down Buckle

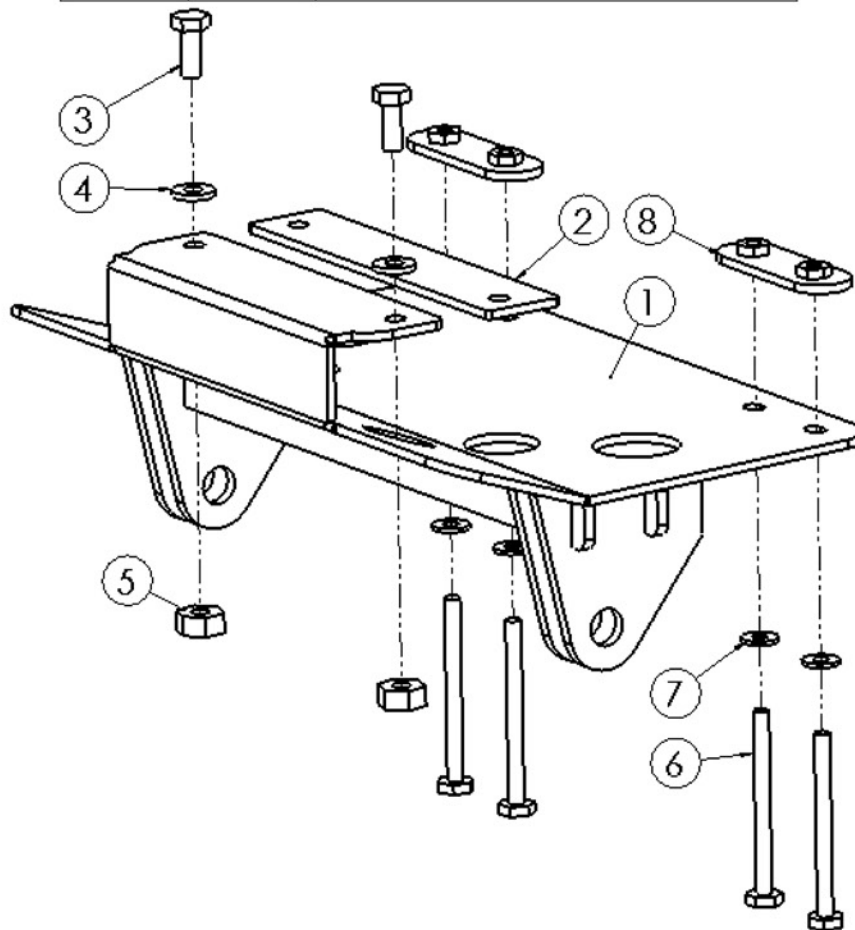


Figure 1

MA11737 Plow Mount Installation

1. Remove the bumper metal casing shown in Figure 2 using a M10 wrench and Phillips screw driver.



Figure 2

2. Slide the plow mount over the front end of the Teryx 4 or Teryx 2 and align the two holes with the forward most holes on the front end. See Figure 3. Secure the mount using the 3/8" bolts, washers and nuts included in your kit, do not tighten them at this time as they will be removed later to add the winch mount. In this step, the bolts will locate the plow mount for the later steps.

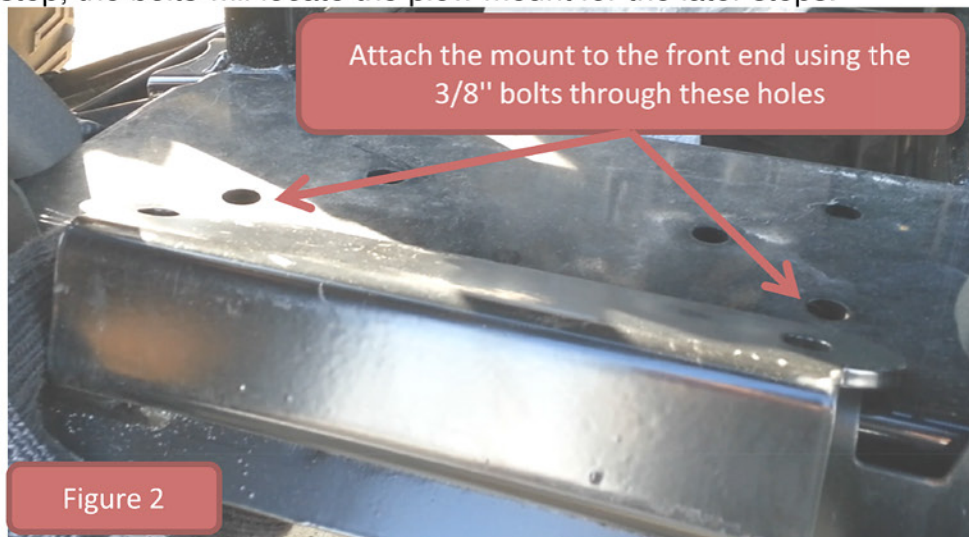


Figure 3

3. Hold the mount up to the underbody of the Teryx 4 or Teryx 2. Using a 5/16" drill bit, drill two holes through the plastic underbody cover, using the two inside holes on the plow mount as a guide. Secure the rear of the mount using the four 5/16" bolts and the two buckle pieces included in your kit.



Figure 4

4. Included in your plow mount kit is a spacer that is to be used in conjunction with the MotoAlliance winch mount. Place the spacer behind the plow mount and on top of the winch mounting area. The holes in the spacer will line up with the rear holes of the Teryx 4 winch mount location. Remove the 3/8" bolts from Step 2, align the winch mount with the holes in the plow mount and Teryx frame. Reinstall the 3/8" bolts in addition to the hardware included in the winch mount kit. Secure all bolts at this time.