



22000 Industrial Blvd, Rogers, MN 55374
866-527-7637
www.motoalliance.com

DENALI Plow Mount MA11738A Yamaha Wolverine RMAX 4 1000 XT-R

Thank you for purchasing a DENALI plow mount. You now own a premium, custom plow mount to allow you to use your plow with your UTV/SxS. Please note the following instructions and heed all warnings.

- Your UTV/SxS and plow system can cause death or injury. Please use caution and common sense when operating your unit.
- Read your Plow Operator Manual, your Winch Operator Manual, and all warning labels before operating your UTV/SxS.
- Operate your UTV/SxS at a walking speed with the blade installed. Do not exceed 5 mph (8 km/h) even with the blade up.
- Do not operate the UTV/SxS on slopes greater than 10 degrees with the plow installed.
- Always lower the plow to the down position before leaving your UTV/SxS unattended.

SEVERE INJURY OR DEATH MAY RESULT IF YOU ARE NEGLIGENT.

**DENALI Yamaha Wolverine RMAX 4 1000 XT-R
MA11738A**



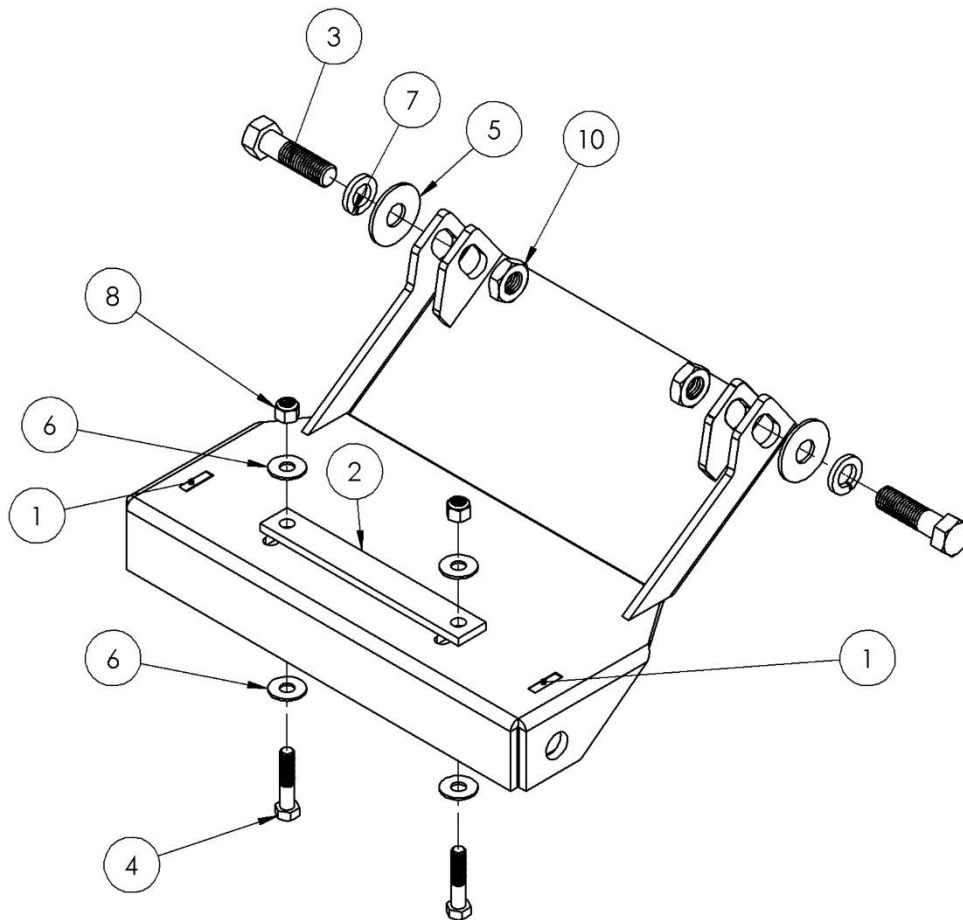
motoalliance

22000 Industrial Blvd
Rogers, MN 55374
866.527.7637

Kit Contents:

Please verify that all hardware and parts are included in your package

Item Number #	Description	Quantity
1	MA11738A-W1 Plow Mount	1
2	MA11738A-4 Spacer Plate	1
3	5/8"-11 x 2.25" Hex Bolt	2
4	5/8" Lock Washer	2
5	5/8" Flat Washer	2
6	3/8"-16 x 1.75" Hex Bolt	2
7	3/8" Flat Washer	4
8	3/8"-16 Nylock Nut	2
10	5/8" Hex Nut	2



Installation Instructions

1. Find the two holes in the frame behind the plastic skid plate and mark them with a permanent marker.



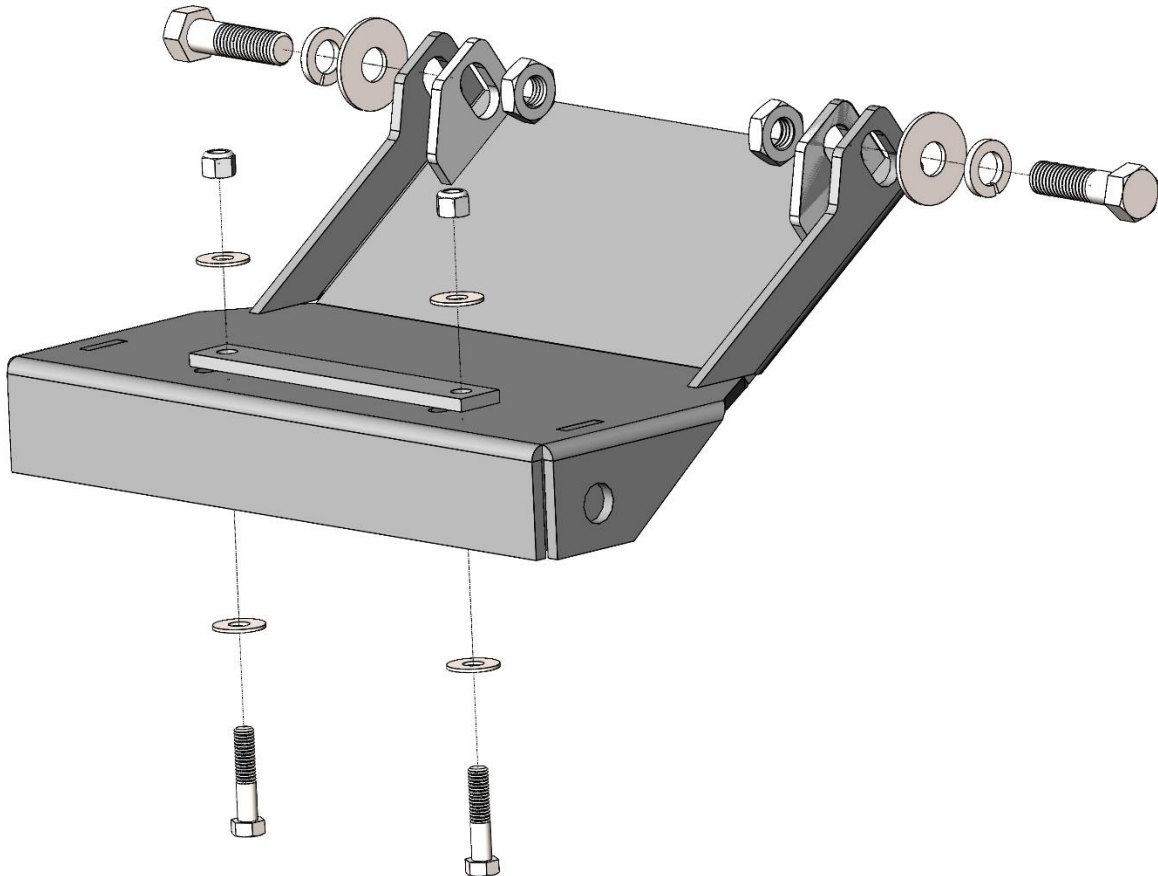
2. Remove the six bolts holding in the plastic skid plate, then remove the plastic skid plate.
3. Drill out holes at marked locations on the plastic skid plate with a 3/8" drill bit.
4. Reattach the plastic skid plate and ensure that the holes in the skid plate line up with the holes on the frame.

**DENALI Yamaha Wolverine RMAX 4 1000 XT-R
MA11738A**



22000 Industrial Blvd
Rogers, MN 55374
866.527.7637

5. Add a 3/8" flat washer to each of the 3/8" bolts, then pass them through the bottom of the mount plate and add the MA11738A-4 spacer plate on top.



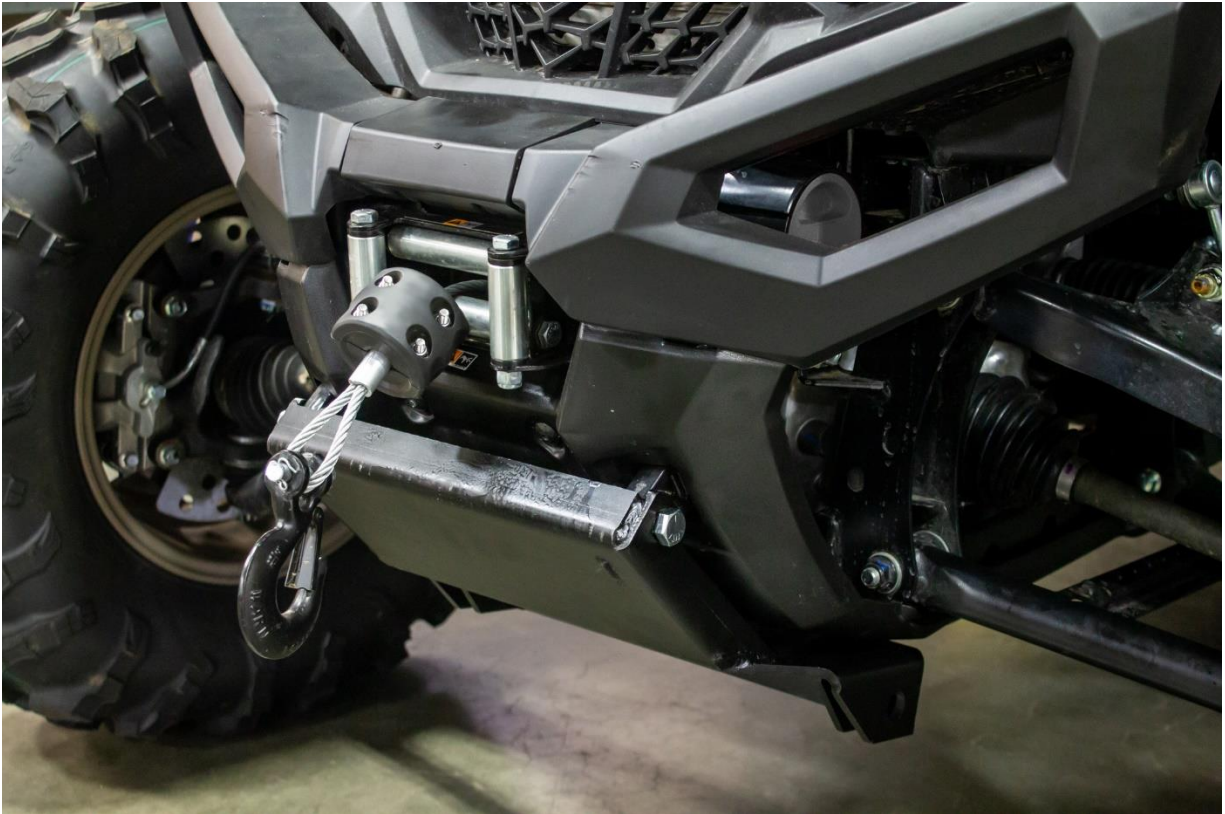
6. Lift the MA11738A mount into position, and secure with the remaining 3/8" flat washers and nylock nuts.
7. Align the forward holes with the corresponding mounting holes on the bumper. File away any plastic that prevents the mount from sliding fully into place.
8. Secure mount plate with the 5/8" bolts, flat washers, lock washers and hex nuts.
9. Ensure all bolts are tightened.

**DENALI Yamaha Wolverine RMAX 4 1000 XT-R
MA11738A**



motoalliance

22000 Industrial Blvd
Rogers, MN 55374
866.527.7637



10. Enjoy your new DENALI Plow Mount!