



Denali PLOW MOUNT MA11739

Kawasaki Mule Pro FXT Plow Mount

Thank you for purchasing our Denali plow mount(s). You now own a premium, custom plow mount to allow you to use your plow with your SxS. Please note the following instructions and heed all warnings.

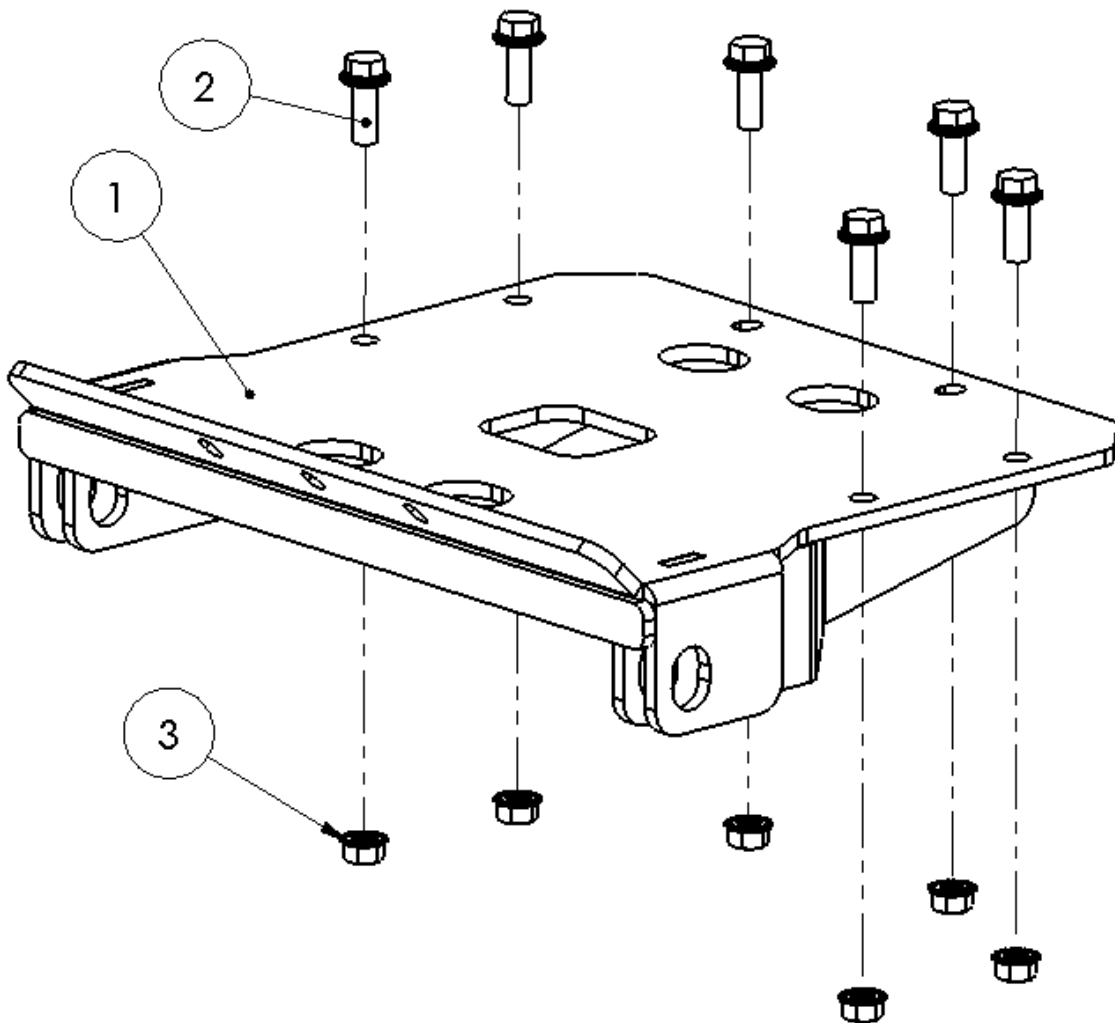
- **Your UTV/SxS and/or plow system can cause death or injury; please use caution and common sense when operating your unit**
- **Read your Plow Operator's Manual, your Winch Operator's Manual, and all warning labels before operating your UTV/SxS**
- **Operate your SxS at a walking speed with the blade installed. Do not exceed 5 mph (8 km/h) even with the blade up**
- **Do not operate the UTV/SxS on slopes greater than 10 degrees with the plow installed.**
- **Always lower the plow to the down position before leaving your UTV/SxS unattended**

SEVERE INJURY OR DEATH MAY RESULT IF YOU ARE NEGLIGENT.

Please verify that all hardware and parts are included in your package.

Kit Content:

Item	Qty	Description
1	1	Plow Mount
2	6	3/8" - 16 x 1" Serrated Flange Bolt
3	6	3/8" - 16 Serrated Flange Nut



Assembly View

Kawasaki Mule Pro FXT Plow Mount Installation

1. Remove the three bolts found at the bottom of the front bumper as shown in Figure 1.

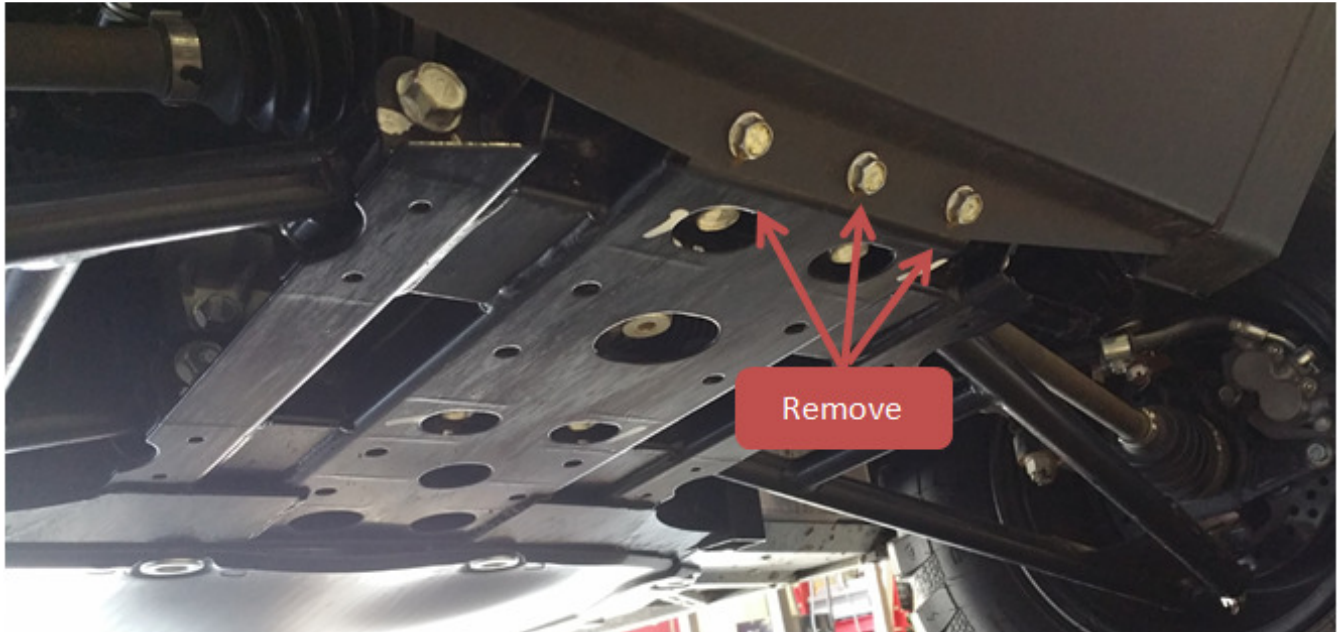


Figure 1

2. Hold the plow mount up to the underside of the Mule so that the three bolts at the front of the mount line up with the three bolts removed earlier. From the top side of the Mule underbody insert two of the 3/8"x1" Serrated Flange Bolts so that they pass through the rear most holes of the plow mount as shown in Figure 2. Secure the bolts using two of the 3/8" Serrated Flange Nuts. Hand Tighten.

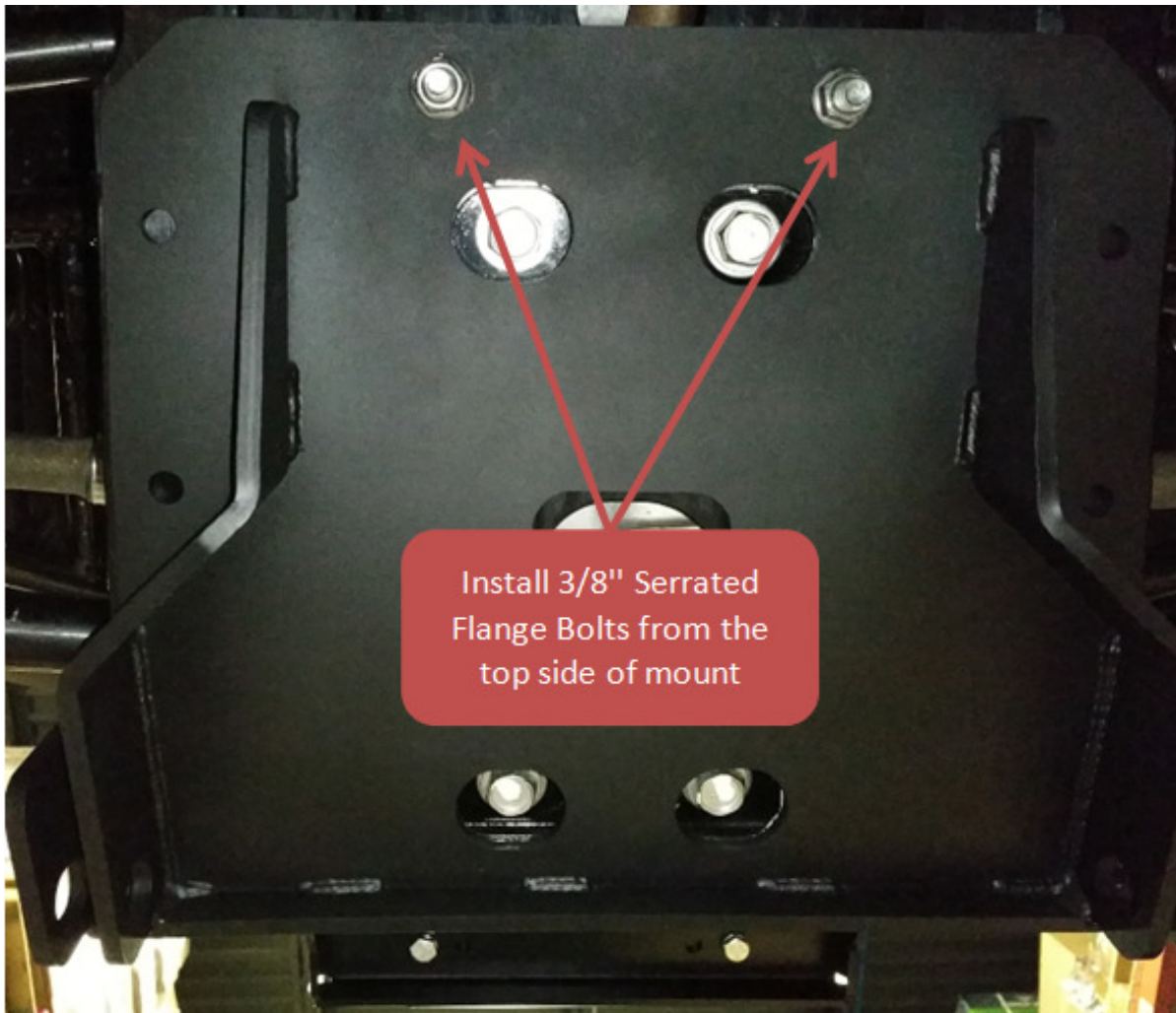


Figure 2

3. Hold the plow mount up tight to the underbody of the Mule and reinstall the three bolts that were removed earlier. Hand tighten.
4. Using a 3/8" drill bit, drill four holes into the underbody of the Mule using the plow mount as a template as shown in Figure 3.

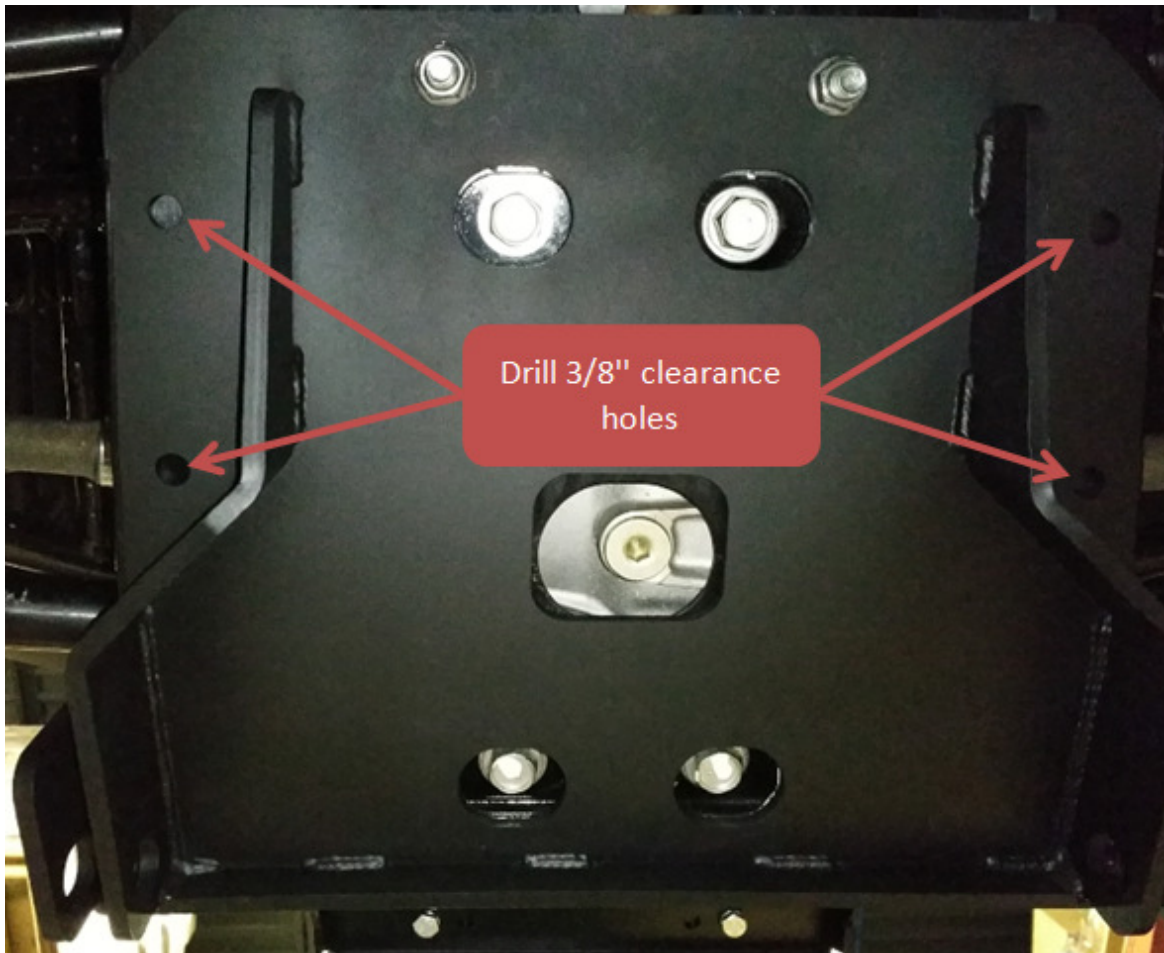


Figure 3

5. Use the remaining four 3/8" Serrated Flange Bolts from the top side of the Mule underbody to secure the outsides of the plow mount as shown in Figure 4 and Figure 5.



Figure 4

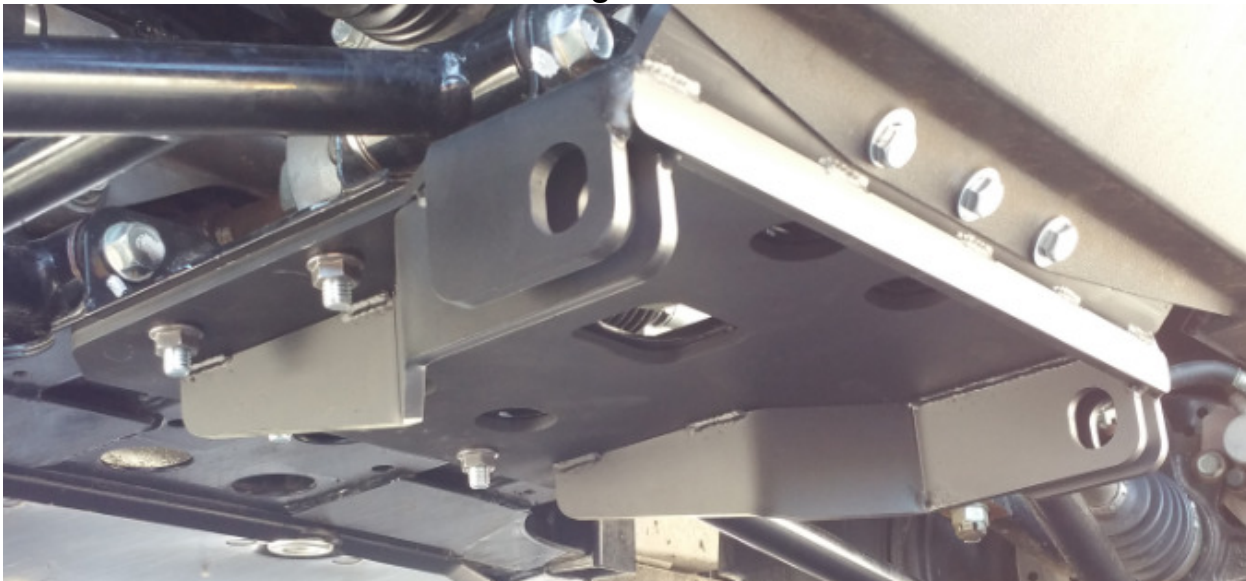


Figure 5

6. Tighten all of the bolts and install the DENALI Pushtube Assembly per the instructions included with the plow kit.