



DENALI Plow Mount

MA11748

Can-Am Defender

Thank you for purchasing a DENALI plow mount. You now own a premium, custom plow mount to allow you to use your plow with your UTV/SxS. Please note the following instructions and heed all warnings.

- Your UTV/SxS and/or plow system can cause death or injury. Please use caution and common sense when operating your unit.
- Read your Plow Operator Manual, your Winch Operator Manual, and all warning labels before operating your UTV/SxS.
- Operate your UTV/SxS at a walking speed with the blade installed. Do not exceed 5 mph (8 km/h) even with the blade up.
- Do not operate the UTV/SxS on slopes greater than 10 degrees with the plow installed.
- Always lower the plow to the down position before leaving your UTV/SxS unattended.

SEVERE INJURY OR DEATH MAY RESULT IF YOU ARE NEGLIGENT.

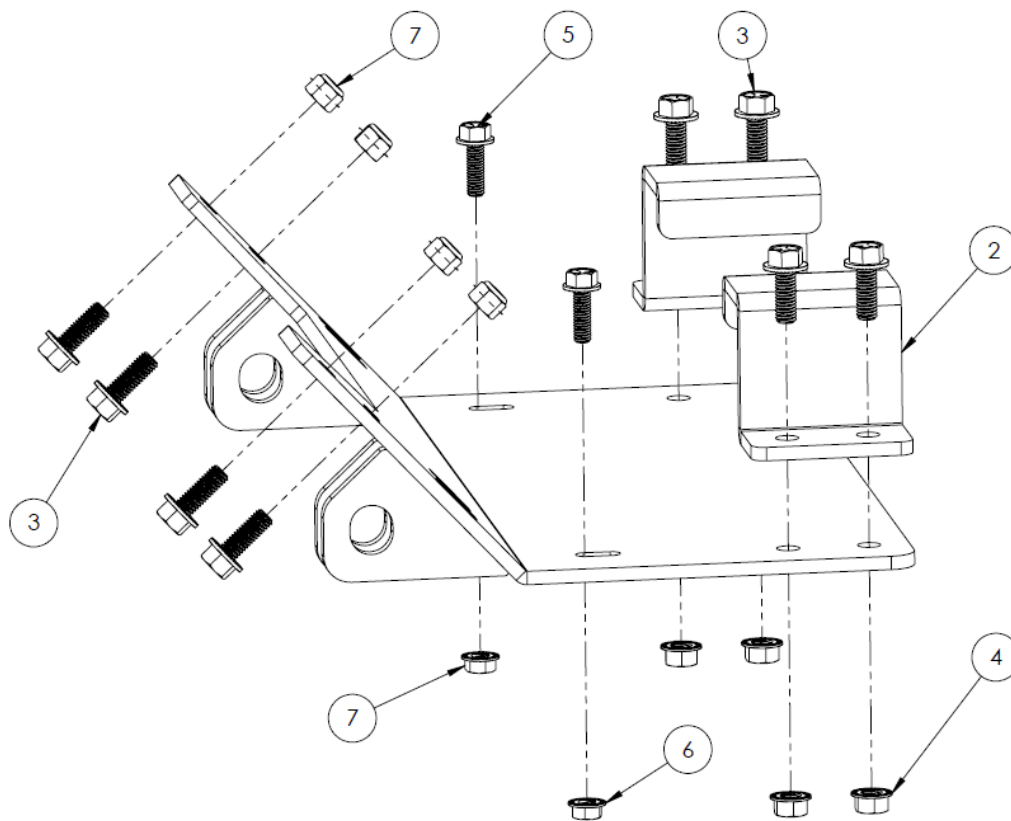
MA11748

DENALI Can-Am Defender Plow Mount

Please verify that all hardware and parts are included in your package.

Kit Contents:

Part #	Qty	Description
1	1	MA11748 Plow Mount
2	2	Z-Bracket
3	8	3/8 x 1" Serrated Flange Bolt
4	4	3/8" Serrated Flange Nut
5	2	5/16 x 1" Serrated Flange Bolt
6	2	5/16" Serrated Flange Nut
7	4	3/8" Nylock Nut



MA11748 Plow Assembly View

MA11748

DENALI Can-Am Defender Plow Mount

1. On each side of the machine hang the Z-Bracket (part #2) over the square tube frame between the A-Arms as shown in Figure 1.
2. Insert four (4) of the 3/8 x 1" Serrated Flange Bolts (part #3) from the top of each Z-Bracket (part #2) as shown in Figure 1 (circled in red). Insert two (2) of the 5/16 x 1" Serrated Flange Bolts (part #5) from the holes in the A-Arm mount as shown in Figure 1 (circled in green).

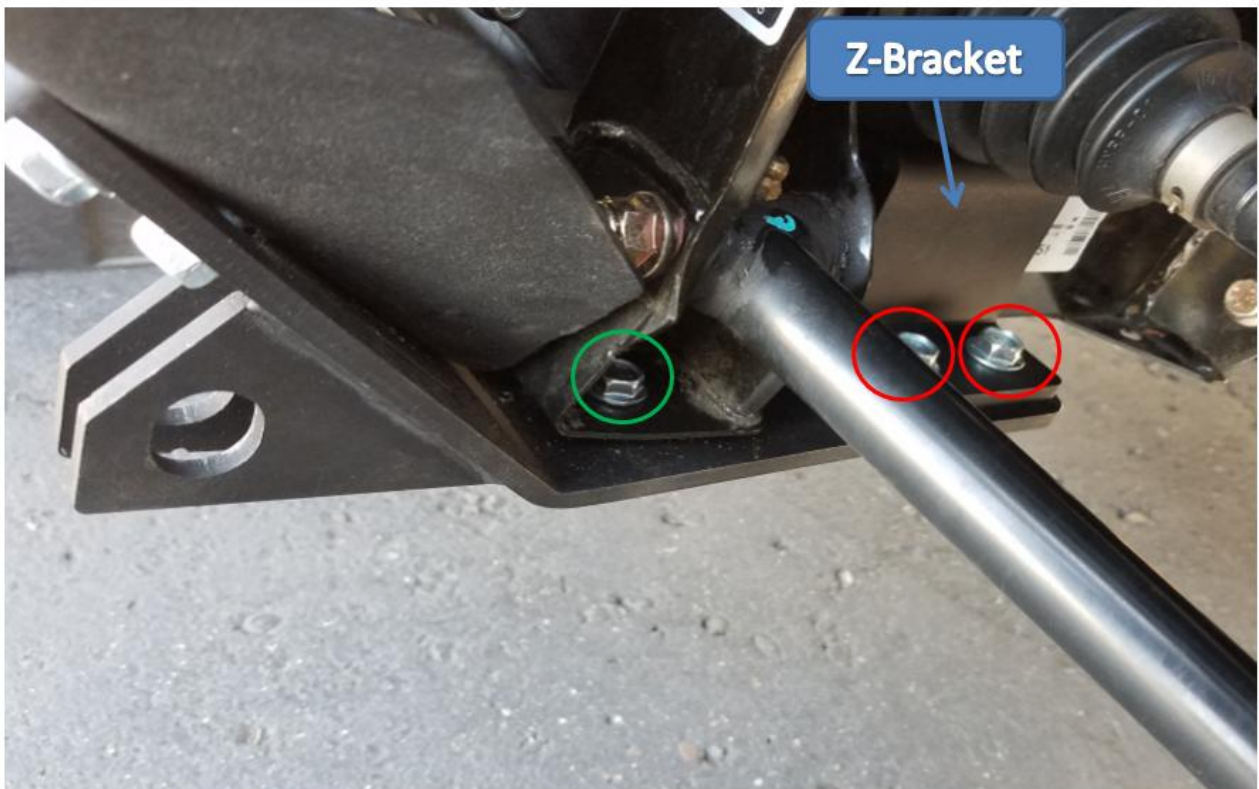


Figure 1

MA11748

DENALI Can-Am Defender Plow Mount

3. Lift the MA11748 Plow Mount (part #1) into place as shown in Figure 2. Secure with four (4) 3/8" Serrated Flange Nuts (part #4) and two (2) 5/16" Serrated Flange Nuts (part #6), (circled in red) but do not tighten down at this time.
4. Verify that the MA11748 Mount Plate (part #1) is pushed back flush against the front bumper, then tighten down the four (4) 3/8" Serrated Flange Nuts (part #4) and the two (2) 5/16" Serrated Flange Nuts (part #6) (circled in red) as shown in Figure 2.
5. Using the four holes at the top of the front tab of the MA11748 Mount Plate (part #1) drill two holes into the front plate of your bumper. Verify the location matches the four bolts (circled yellow) in Figure 2. Always check to make sure there won't be any interference before drilling, because bumpers can change from year to year and model to model.



Figure 2



MA11748

DENALI Can-Am Defender Plow Mount

6. Once the two holes are drilled out, secure the front tab of the MA11748 Plow Mount (part #1) with the remaining four (4) 3/8 x1" Serrated Flange Bolts (part #3) and the four (4) 3/8" Nylock Nuts (part #7) and tighten down.
7. Attach the plow using the quick release pins included with DENALI Plow Kits.

After First Time Use

After the first use of your plow, check and retighten all hardware at least once, in case your frame has flexed and the Plow Mount has loosened.