



Denali PLOW MOUNT

MA11760

Arctic Cat Prowler Plow Mount

Thank you for purchasing our Denali plow mount(s). You now own a premium, custom plow mount to allow you to use your plow with your SxS. Please note the following instructions and heed all warnings.

- Your UTV/SxS and/or plow system can cause death or injury, please use caution and common sense when operating your unit.
- Read your Plow Operator's Manual, your Winch Operator's Manual, and all warning labels before operating your UTV/SxS.
- Operate your SxS at a walking speed with the blade installed. Do not exceed 5 mph (8 km/h) even with the blade up.
- Do not operate the UTV/SxS on slopes greater than 10 degrees with the plow installed.
- Always lower the plow to the down position before leaving your UTV/SxS unattended.

SEVERE INJURY OR DEATH MAY RESULT IF YOU ARE NEGLIGENT.

Please verify that all hardware and parts are included in your package.

Kit Content: Please refer to Figure 1

Item	Qty	Description
1	1	MA11760 Plow Mount
2	2	Rear Buckle
3	4	3/8" x 1" Serrated Flange Bolt
4	2	7/16" x 3" x 2" Square U-bolt
5	4	7/16" Nylock Nut
6	4	7/16" Flat Washer

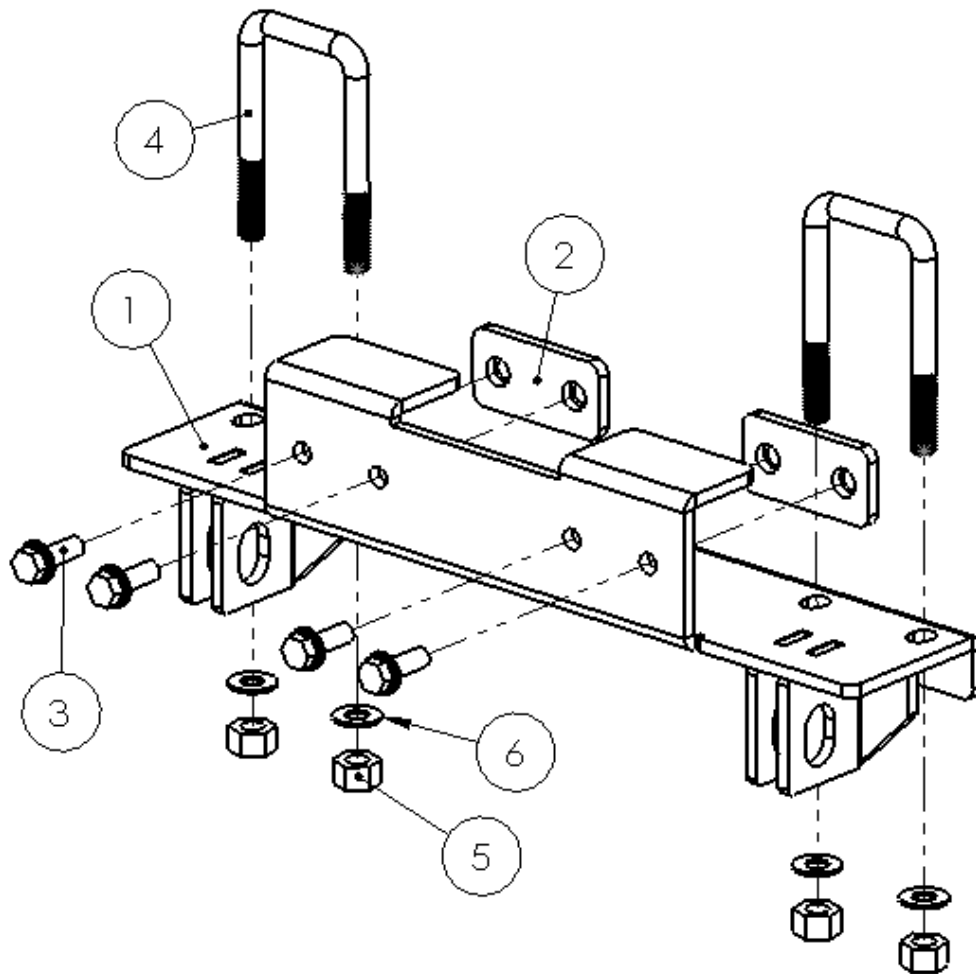


Figure 1

Arctic Cat Prowler Plow Mount Installation Instructions

1. From the undercarriage of the Prowler, remove the front two screws that secure the plastic underbody to the front end of the vehicle.



Figure 2

2. Push the mount plate over the front frame crossbar until it is pressed firmly against the frame.

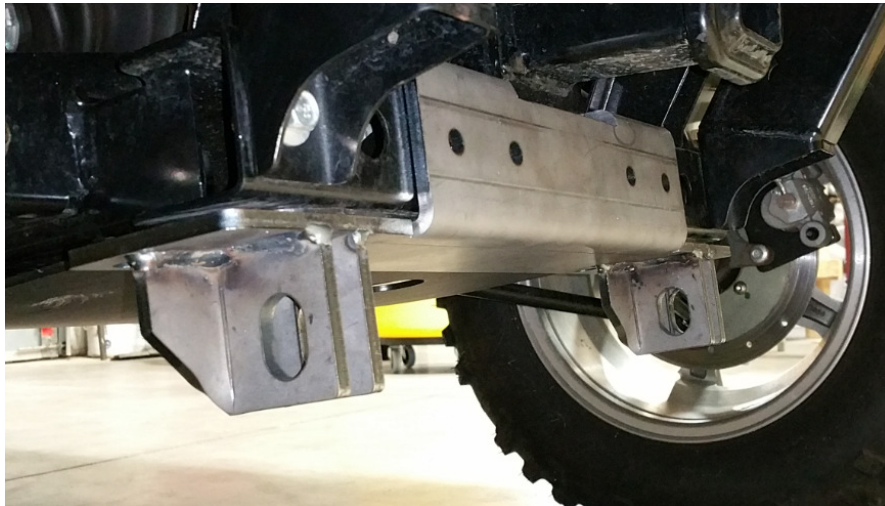


Figure 3

3. Insert the two Rear Buckles included in the mount kit behind the front frame crossbar and secure with the 3/8" x 1" Serrated Flange Bolts.

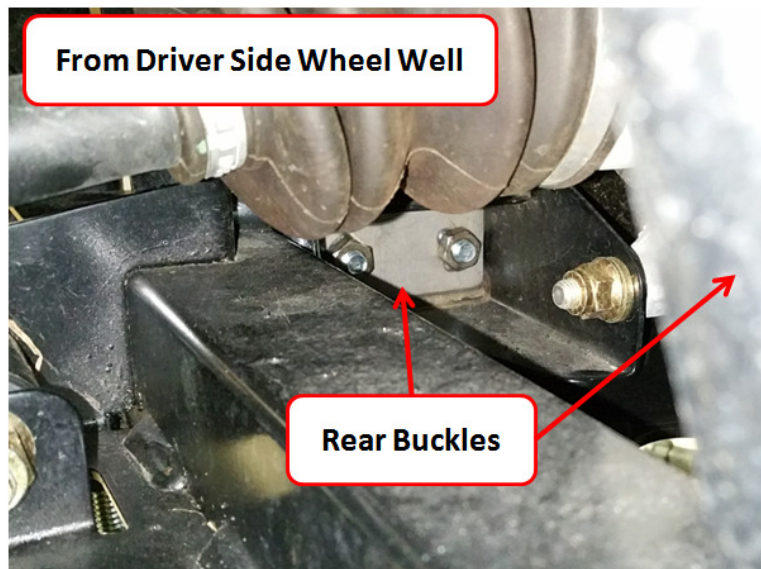


Figure 4

4. Drill out the underbody plastic behind the two inside plow mount holes using a 7/16" drill bit as shown in Figure 5.

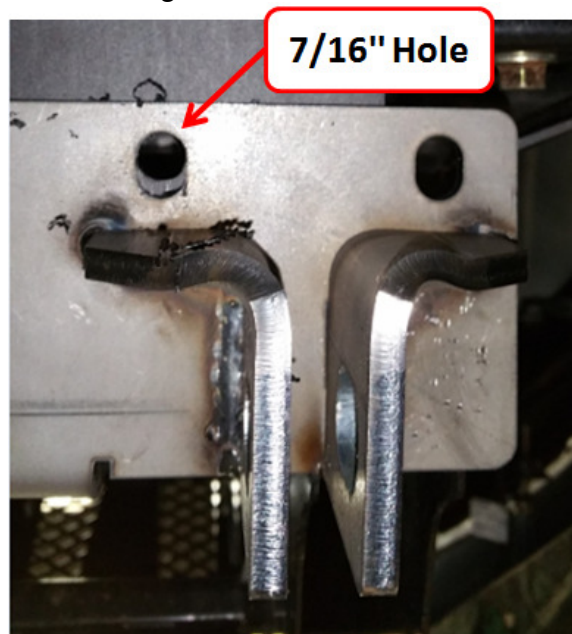


Figure 5

5. Insert the included 7/16" Square U-bolts from the top of the Prowler frame and secure with the included 7/16" washers and nuts. Happy Plowing!