



DENALI Plow Mount MA11761 Arctic Cat Wildcat

Thank you for purchasing a DENALI plow mount. You now own a premium, custom plow mount to allow you to use your plow with your UTV/SxS. Please note the following instructions and heed all warnings.

- Your UTV/SxS and/or plow system can cause death or injury. Please use caution and common sense when operating your unit.
- Read your Plow Operator Manual, your Winch Operator Manual, and all warning labels before operating your UTV/SxS.
- Operate your UTV/SxS at a walking speed with the blade installed. Do not exceed 5 mph (8 km/h) even with the blade up.
- Do not operate the UTV/SxS on slopes greater than 10 degrees with the plow installed.
- Always lower the plow to the down position before leaving your UTV/SxS unattended.

SEVERE INJURY OR DEATH MAY RESULT IF YOU ARE NEGLIGENT.

Please verify that all hardware and parts are included in your package.

Kit Contents:

Item	Qty	Description
1	1	MA11761 Plow Mount
2	1	Rear Buckle
3	1	7/16" x 2" x 2" U Bolt
4	2	3/8" -16 x 1 1/4" Serrated Flange Bolt
5	2	3/8" -16 Serrated Flange Nut
6	2	7/16" -14 Nylock Nut
7	2	7/16" Flat Washer

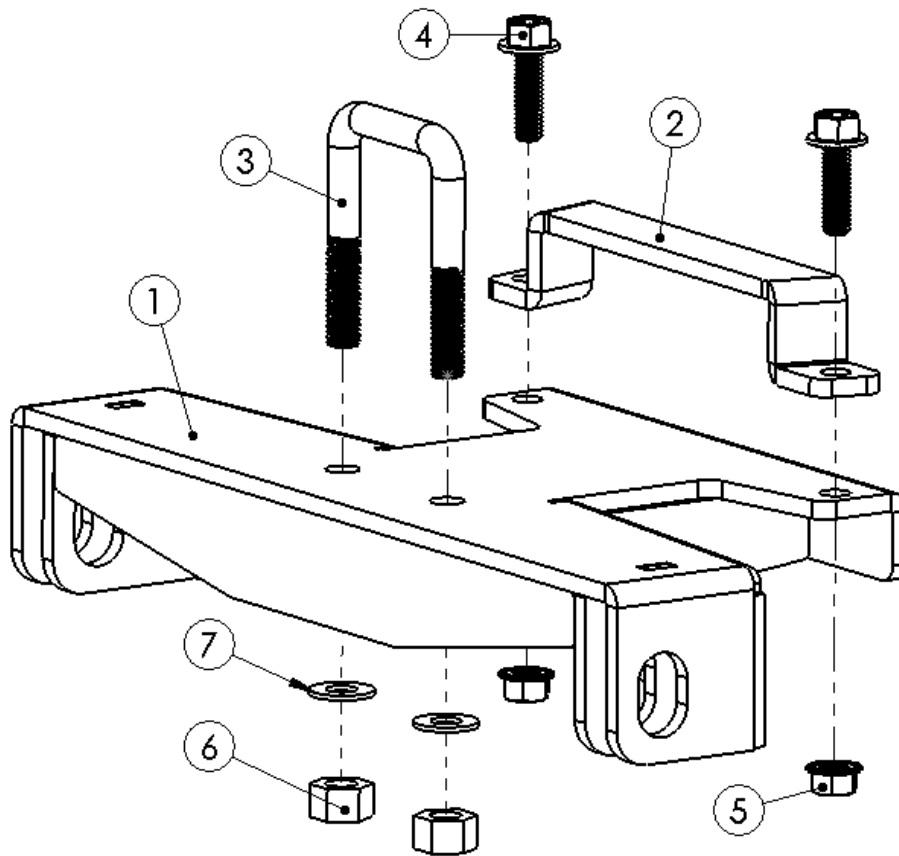


Figure 1

Arctic Cat Wildcat Plow Mount Installation

1. Remove the front plastic brush guard shown in Figure 2.



Figure 2

2. Position the Rear Buckle over top of the Wildcat frame as shown in Figure 3 & 4.
Note the orientation of the angles in the Rear Buckle in Figure 4.

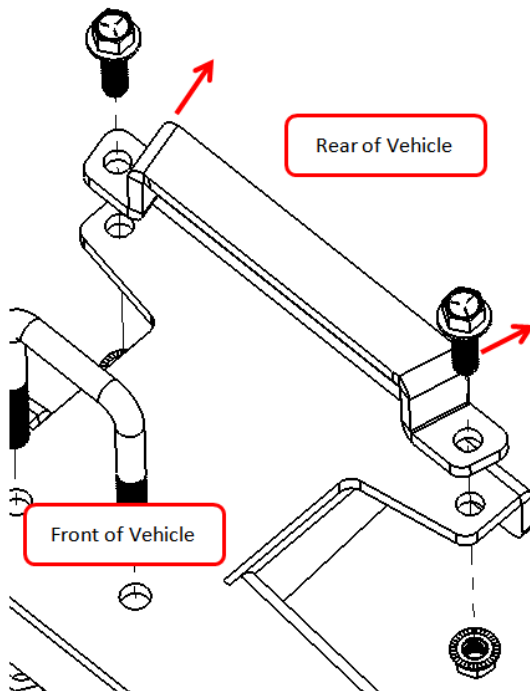


Figure 3

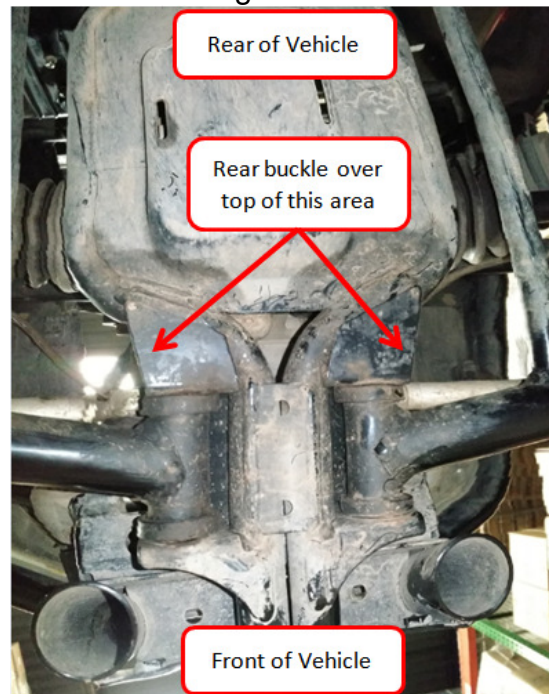


Figure 4

3. Insert the 7/16" U Bolt over the front tube frame shown in Figure 5.

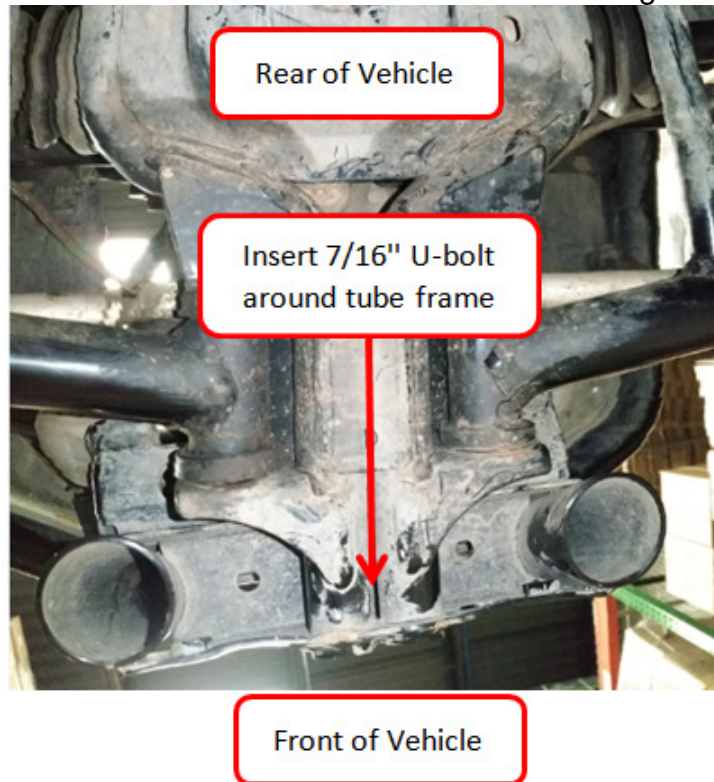


Figure 5

4. Lift the mount plate up to the bottom of the Wildcat and position the two front holes of the mount plate so that the 7/16" U-bolt fits inside.
5. Insert the two (2) 3/8"-16 x 1 1/4" Serrated Flange bolts from the top of the Rear Buckle and loosely secure the bolts using the 3/8"-16 Serrated Flange Nuts
6. Install the two (2) 7/16" Flat Washers and two (2) 7/16" Nylock Nuts on to the U-bolt.
7. Position the mount perpendicular to the vehicle and tighten all the bolts.
8. Mark a line 7/8" up from the bottom of the plastic brush guard and using a razor blade or Dremel cut away the bottom material (See Figure 6). This will allow the plow mount to sit flush to the bottom of the brush guard. Install in reverse order.



Figure 6

9. Attach the plow using the included quick release pins.