



motoalliance

MOTOALLIANCE PLOW MOUNT

MA11767

CFMOTO Z-Force 500/800

Thank you for purchasing our MotoAlliance plow mount. You now own a premium custom plow mount allowing you to use your plow with your SxS. Please note the following instructions and heed all warnings.

- **Please use common sense when operating your SxS**
- **Be observant of moving parts causing entanglement use extreme caution!**

SEVERE INJURY OR DEATH MAY RESULT IF YOU ARE NEGLIGENT.

Please verify that all hardware and parts are included in your package.

Kit Content:

Item Number	Description	Quantity
1	MA11767 Main Mounting Plate	1
2	3/8" -16 x 1.5" ID Ubolt (for 1" pipe)	4
3	3/8"-16 Serrated Flange Nut	4

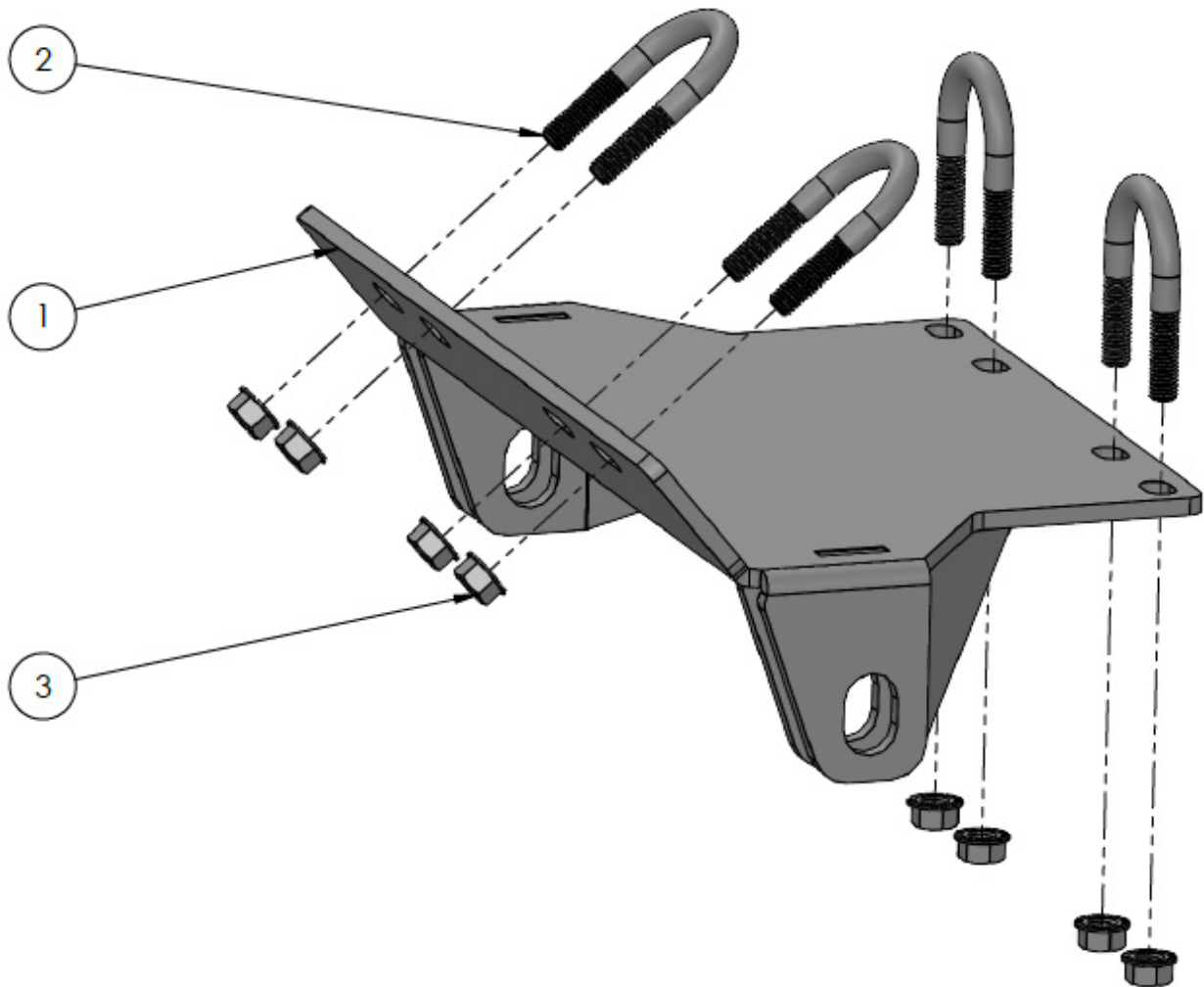


Figure 1

1. Lift the MA11767 Mounting Plate into place under the front bumper as shown in Figure 2.



Figure 2

2. Hang two of the 3/8"-16 x 1.5" ID Ubolts over the vertical bumper tubes and push them through the front of the MA11767 Main Mounting Plate as shown in Figures 2 and 3.

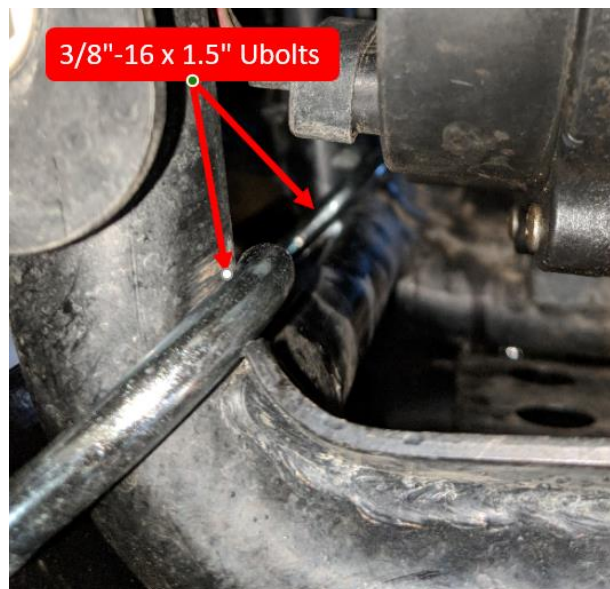


Figure 3

3. Secure with 3/8"-16 Serrated Flange Nuts but do not tighten at this time.
4. Lift the back of the MA11767 Main Mounting Plate into place and secure with 3/8"-16 x 1.5" ID Ubolts and 3/8"-16 Serrated Flange Nuts as shown in Figure 4.

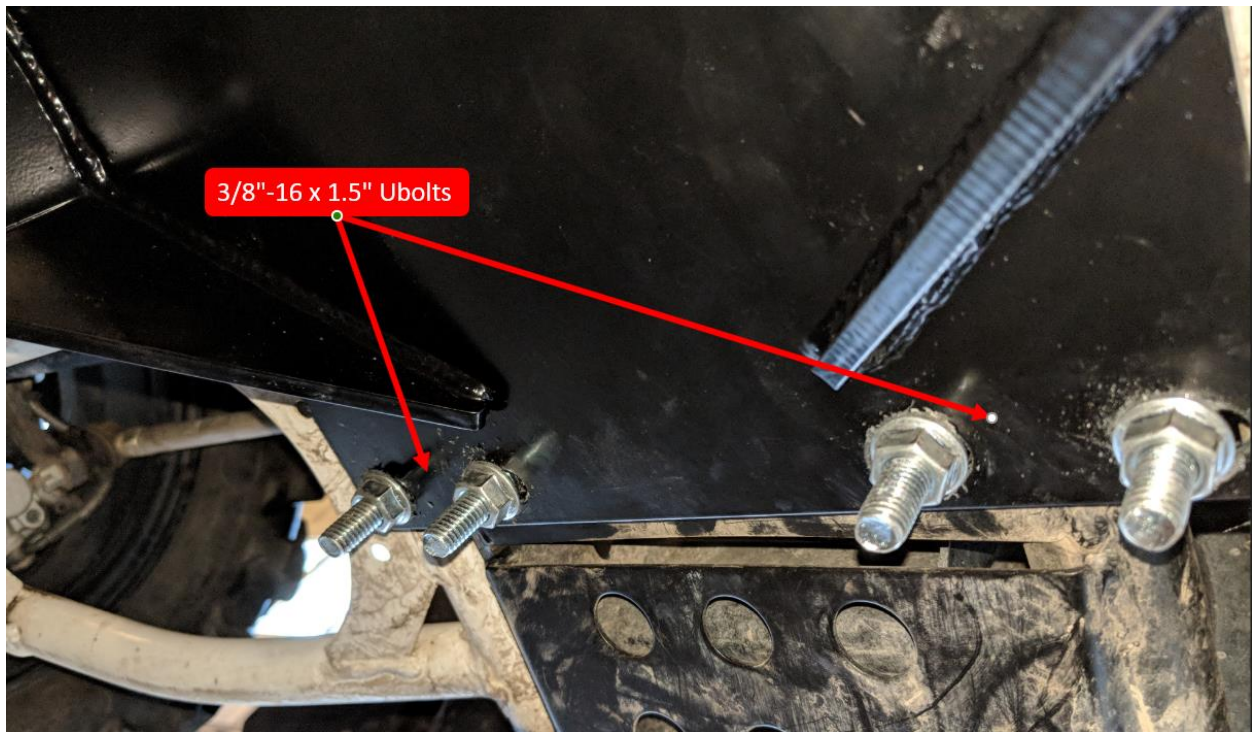


Figure 4

5. Verify the mount is square and tighten down all hardware.
6. Attach the plow using the quick release pins included with DENALI Plow Kits.

After First Time Use

After the first use of your plow, check and retighten all hardware at least once, in case your frame has flexed and the Plow Mount has loosened.