



DENALI Plow Mount MA11768 CFMOTO U-FORCE 1000

Thank you for purchasing our DENALI plow mount. You now own a premium custom plow mount to allow you to use your plow with your SxS. Please note the following instructions and heed all warnings.

- Your UTV/SxS and/or plow system can cause death or injury, please use caution and common sense when operating your unit.
- Read your Plow Operator Manual, your Winch Operator Manual, and all warning labels before operating your UTV/SxS.
- Operate your UTV/SxS at a walking speed with the blade installed. Do not exceed 5 mph (8 km/h), even with the blade up.
- Do not operate the UTV/SxS on slopes greater than 10 degrees with the plow installed.
- Always lower the plow to the down position before leaving your UTV/SxS unattended.

SEVERE INJURY OR DEATH MAY RESULT IF YOU ARE NEGLIGENT.

**CF-Moto U-Force 1000
MA11768**

Please verify that all hardware and parts are included in your package.

Kit Contents:

Item Number	Quantity	Part Number
1	1	MA11768 Mount
2	1	MA11768 U-Bracket
3	3	Hex Bolt M8x1.25x35
4	6	Plain washer, 8mm, narrow
5	3	M8x1.25 Nylock Nut

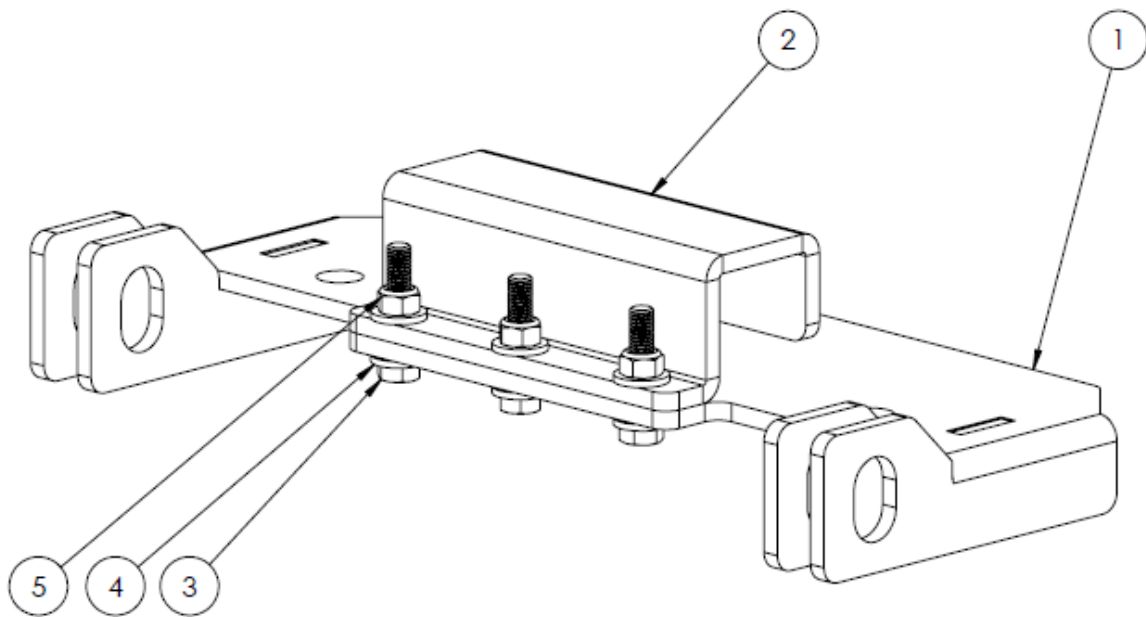


Figure 1

MA11768 Plow Mount Installation

Note: Only use hand tools.

1. Remove two M6 bolts located at the front of the skid plate, as shown in **Figure 2**

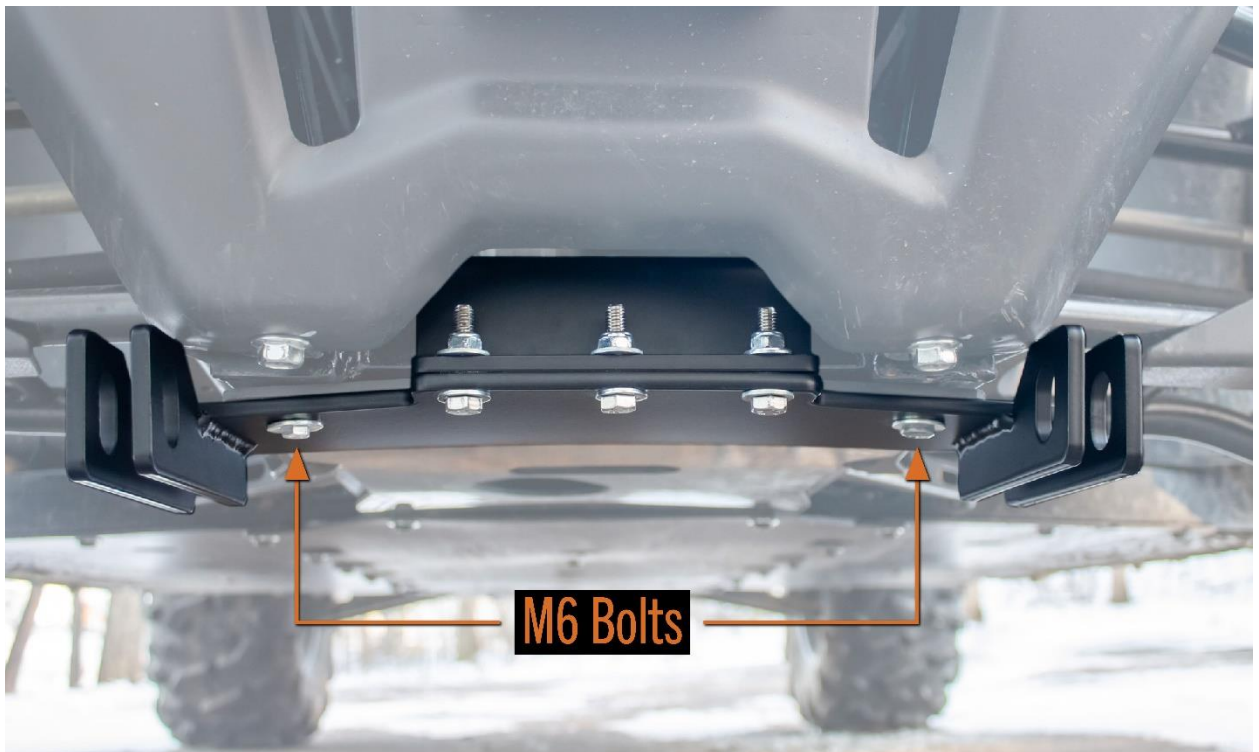


Figure 2

2. Put M8 bolts to U-bracket and mount loosely.

3. Fit the U Bracket over the frame of the machine, as shown in **Figure 3**



Figure 3

4. Secure the mount using the two (2) M6 bolts that were removed from skid plate and tighten all bolts, as shown in **Figure 4**

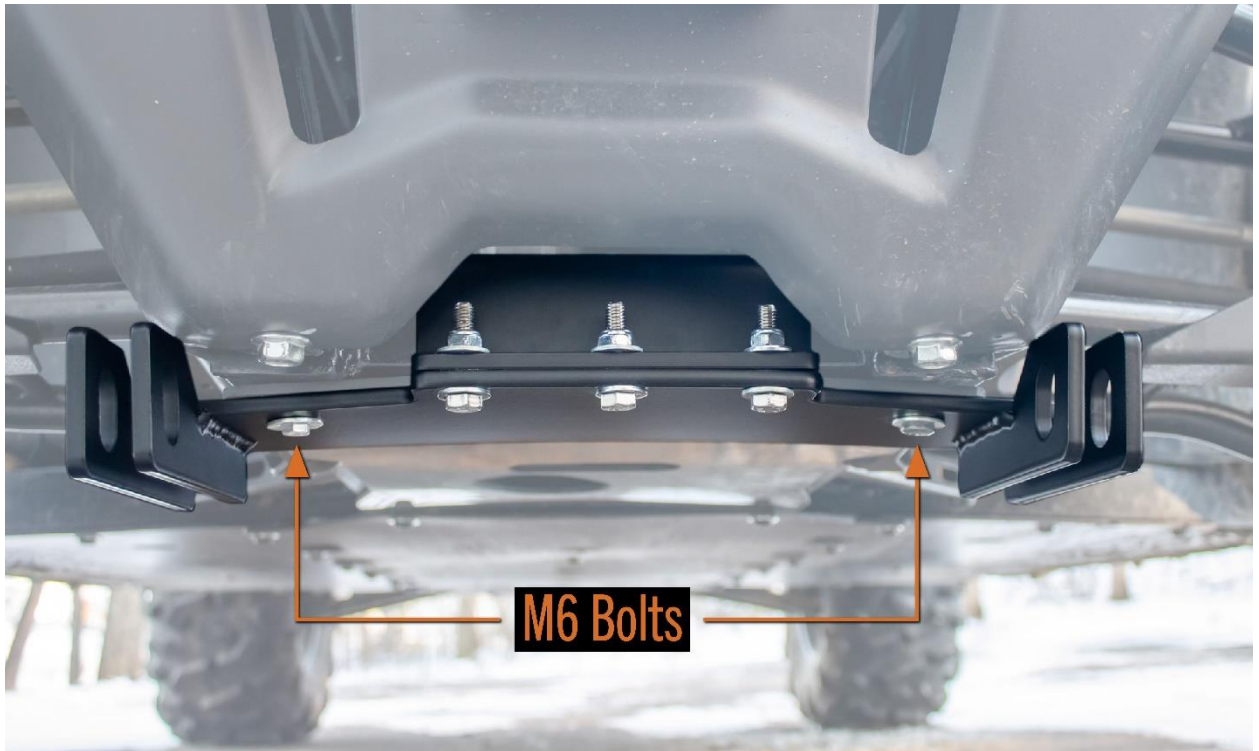


Figure 4

After First Time Use

Retighten all hardware as your frame may have flexed and the Plow Mount loosened.