



# **DENALI Plow Mount MA11769 CFMoto ZForce 950**

Thank you for purchasing our DENALI plow mount. You now own a premium custom plow mount to allow you to use your plow with your SxS. Please note the following instructions and heed all warnings.

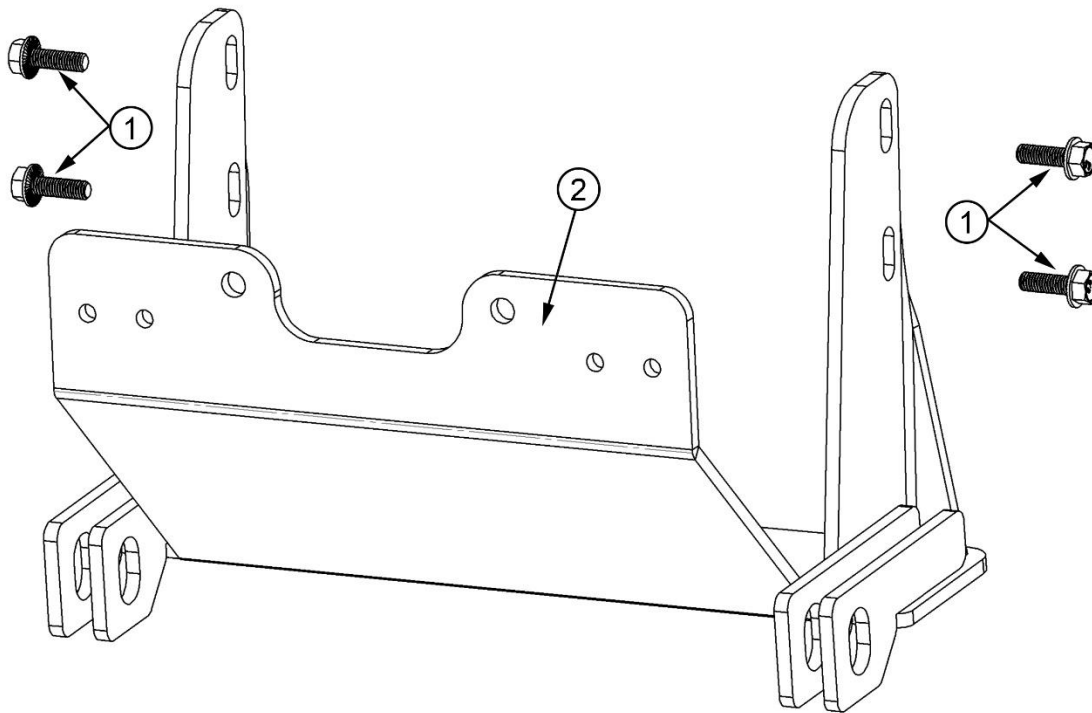
- Your UTV/SxS and/or plow system can cause death or injury, please use caution and common sense when operating your unit.
- Read your Plow Operator Manual, your Winch Operator Manual, and all warning labels before operating your UTV/SxS.
- Operate your UTV/SxS at a walking speed with the blade installed. Do not exceed 5 mph (8 km/h), even with the blade up.
- Do not operate the UTV/SxS on slopes greater than 10 degrees with the plow installed.
- Always lower the plow to the down position before leaving your UTV/SxS unattended.

**SEVERE INJURY OR DEATH MAY RESULT IF YOU ARE NEGLIGENT.**

Please verify that all hardware and parts are included in your package.

**Kit Contents:**

Item Number	Quantity	Part Number
1	4	M8x25
2	1	MA11769



### **CFMoto ZForce 950 Installation Instructions**

1. Remove the four bolts holding the front plastic bumper, and set all bolts and skid plate to the side. See Figure 1.



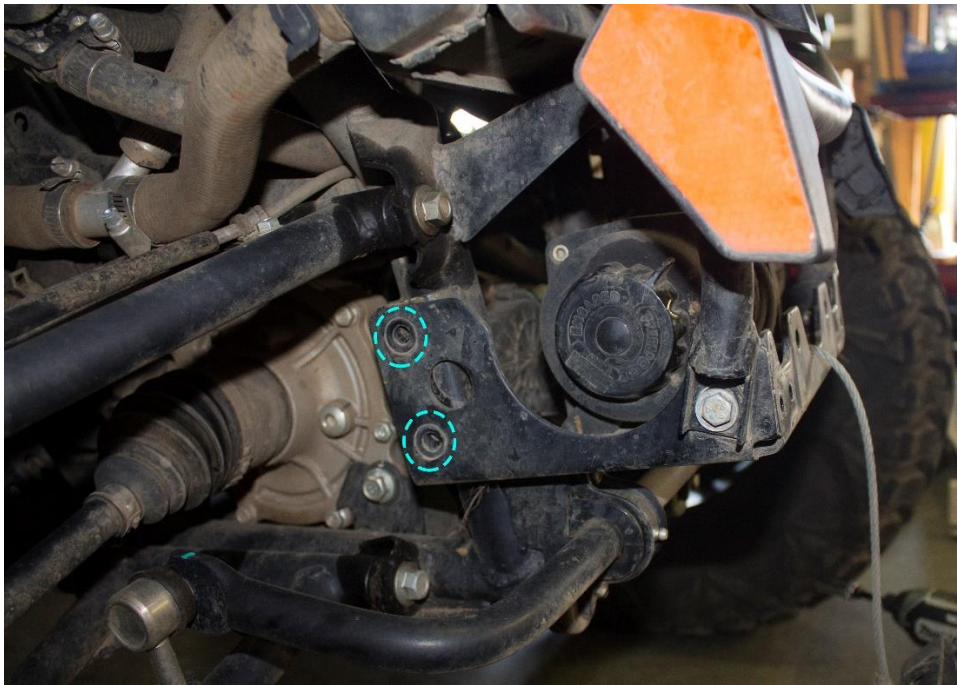
**Figure 1**

2. Remove the roller or fairlead from the machine and set to the side.
3. Remove the two mounting tabs from the machine and set to the side. See Figure 2.

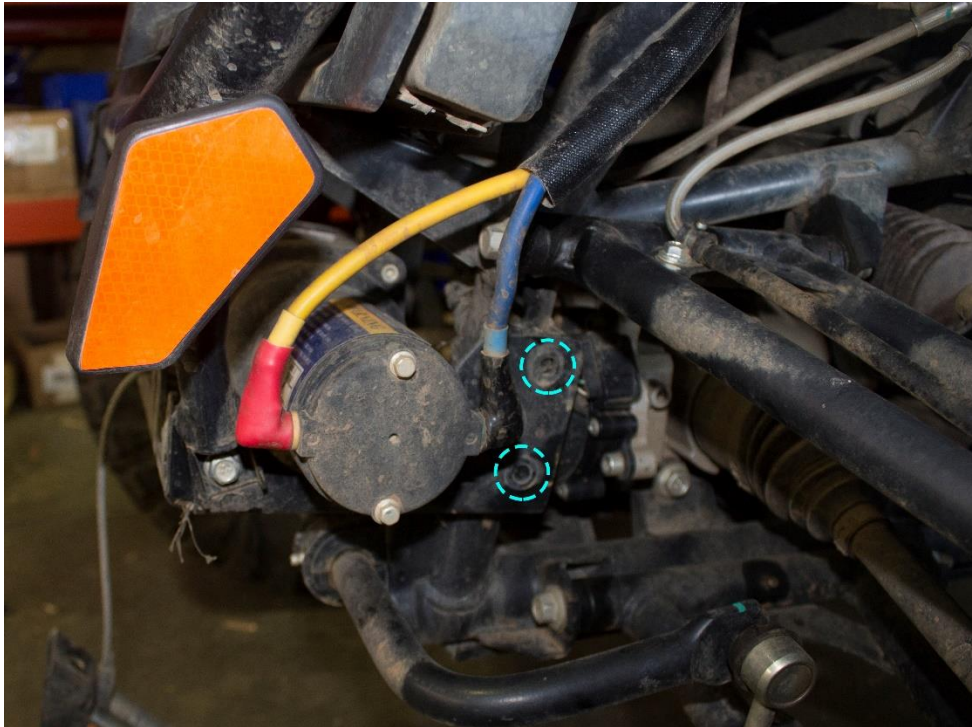


**Figure 2**

4. Remove the two bolts on each side of the front winch plate and set to the side. See Figure 3 and 4.



**Figure 3**



**Figure 4**

5. Use the provided hardware to attach the plow mount to the frame with the winch plate between the plow mount and the frame.
6. Use the bolts from the front tabs removed previously in step 3 and install on front of mount to the frame. See Figure 5.



Figure 5

7. Reinstall the roller or fairlead to machine. See Figure 6.



**Figure 6**