



Pro Series
66" and 72"

66" & 72" Pro Series Features

- **D.O.T. curved blade** design allows you to push more snow than straight blade; 11 gauge steel blade
- **Impact Resistant Reinforcement System**, includes edge stiffeners and stabilizer bar, to handle accidental impact
- **Sand-blasted powder coat with epoxy primer and TGIC Polyester top coat** for ultimate corrosion protection, UV resistance and long lasting durability
- High strength, high yield 3/16" thick **Grade 50 steel** wear bar for maximum durability
- **Rubber flap stabilizer bar** with upgraded (stiffer) rubber flap material prevents snow from flying over blade
- **Plow markers** included
- Height **AND** Angle Adjustable **Premium steel skid feet**
- Includes **3 Year Warranty**
- **Impact Resistant Reinforced Pivot Assembly** - 2 additional support bars for maximum durability & strength
- Turn system allows you to easily position your plow in **5 different angles - 0, 12.5°, 25°**
- **Simple detachment** system with the pull of a pin
- Structural **tube steel cross bar** for added lateral rigidity
- **Quick Release Pins** included
- Available colors: **Black, Yellow, Red**
- Proudly made in the USA



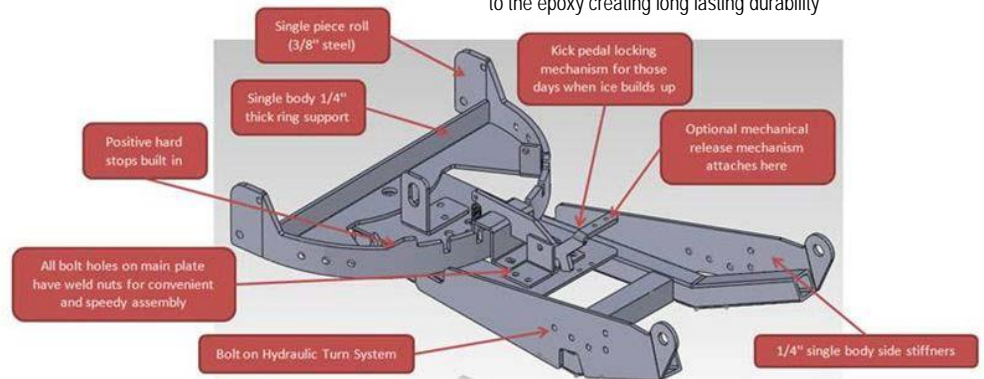
66" & 72" Plow Mount Options

John Deere Gator
Polaris Ranger
Polaris RZR
Honda Big Red
Kawasaki Mule 4010 & 610
Kawasaki Teryx
Kubota 2009-2010 500
Kubota 2004-2009 RTV 900
Kubota 2004-2009 1100
Can Am Commander
Yamaha Rhino

Universal 2" Receiver Hitch Plow Mount



Sand blasted and powder-coated with an epoxy primer followed by a TGIC Polyester top coat. The epoxy bonds to the metal blade for ultimate corrosion protection while the polyester top coat bonds to the epoxy creating long lasting durability



Optional Hydro Turn

- Top of the line **Parker** hydraulics system with **built in relief valve overload protection**
- Sealed **for life**, no need to purchase hydraulic fluid, bleed lines, maintain a reservoir level or change the fluid; no chance of leaks!
- Change the blade angle while driving; **full radius turn in just 5 seconds!**
- Heavy duty **chrome plated 3/4" cylinder shafts**, **Two bolt installation** of hydraulic cylinder and pump
- **No modifications necessary** - bolts directly to the MotoAlliance Pro Series UTV Plow Push Tubes
- Wire harness utilizes **weatherproof connectors** **Backwards compatible** with manual turning system
- **Overload protection** at 4,000lbs of extension force and 3,500lbs of retraction force
- Includes **3-Year Warranty**



Hydro-Turn Components:

Pre-assembled hydraulics package, Mounting Brackets, Contactor, Wiring Harness & Rocker Switch, or Optional Dash Switch



Rec Series
66" and 72"



**Straight Blade Plows for ATV's and UTV's will be part of
the MotoAlliance product line-up soon!**

Shown with optional upgrades of plow markers & rubber flap!



motoalliance

ATV Plows

50" and 60"



ATV Plow Features

- Made of sturdy 13 gauge steel
- Easy connect design created by our engineers makes attaching and detaching an easy process
- Includes blade, push tubes, steel wear bar and all required hardware
- Upgraded skid feet
- Optional AMSTEEL-BLUE plow cable. Will not wear down like steel or need to be cut and replaced. It also resists memory spots in the cable.

ATV Plow and Plow Mount Options

Can-Am Outlander 06-07
Can-Am Outlander 08-09
Honda Rincon
Honda Rubicon / Foreman
Honda Rancher 350/400
Honda Rancher 420
Kawasaki Brute Force 650
Kawasaki Brute Force 650/700
Polaris Sportsman 335/400/500
Polaris Sportsman 600/700/800
Polaris Sportsman 550/850
Polaris Sportsman Newer 500/700/800
Suzuki King Quad
Yamaha Kodiak/Bruin
Yamaha Grizzly 350/400/450
Yamaha Grizzly 660
Yamaha Grizzly 550/700

Special order options available call if not listed



Angles up to 25 degrees in each direction

