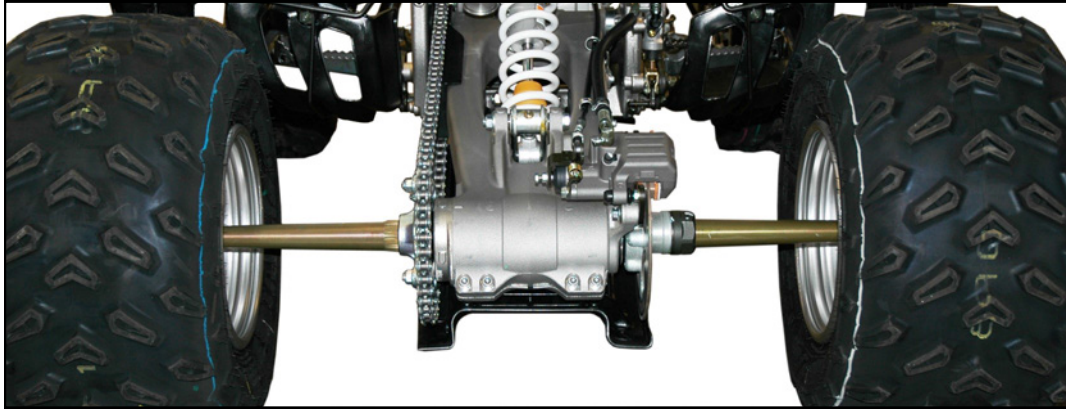


Durablue Bearing Carrier

(Axle Carrier Housing)

Durablue bearing carriers are designed to replace stock carriers where hard core riding is a part of ATV activity. The DB carriers are superior in strength and longevity, using bearings which are of a high quality with more capacity. The outer bearing housing is made from heat treated billet aluminum which is as strong as steel but still light weight.



Why does the bearing carrier do? The bearing carrier holds the axle in the swing arm and allows the axle to spin freely. There are 2 or 4 bearings inside the bearing carrier which are precisely spaced by a hollow tube. The spacing tube is critical to the life of the bearings. If the locking nut is tightened too tight it will compress or shorten the spacing tube and the bearings will wear out in a short time. On the outside of the bearings are oil seal on each end. The 2 oil seals keep out unwanted dirt and water.

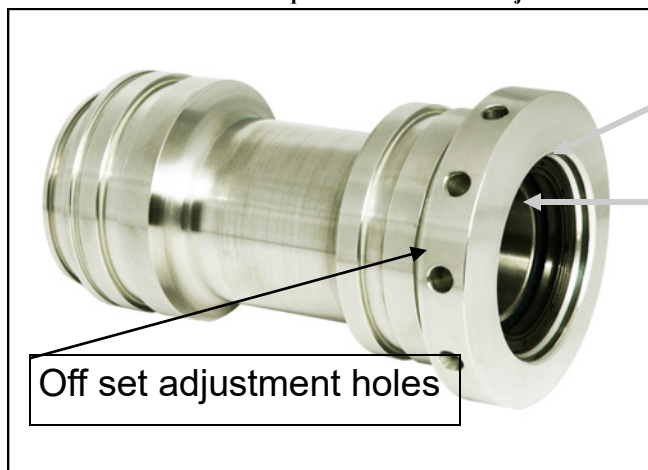
Do I need to grease the bearings? No, do not use grease. The bearings are factory sealed and never need grease.

Can I get replacement parts? You may purchase new bearings and seals.

Do I need to buy any extra parts? The carrier is ready to go and does not require any extra parts. In a few cases you will use some stock parts. Our website has pictures of each carrier and what it comes with should you have any questions.

How is the chain tightened? You will notice that the hole that goes through the middle of the bearing carrier is off center. Once the carrier and axle are mounted in the swing arm you will use a metal rod or screw driver in one of the adjustment holes to rotate the carrier. The offset hole will pull the axle backwards so the chain will tighten. Tighten the swing arm bolts to hold the carrier in place.

Use a small metal rod or Philips screw driver in the adjustment holes.



Oil seals

Bearings

Off set adjustment holes

What's inside a bearing Carrier?

Oil seals

Bearings

Spacing tube

