

FUEL CAST 1-PIECE

D612 STROKE

22 x 12 - 37x13.50R22 M/T



CAST 1PC
D555 AMBUSH



GLOSS BLACK & MILLED

17 x 9.0 / 20 x 9.0 - 20 x 10
5/6/8 - LUG APPLICATIONS
PATENT PENDING / DEEP CONCAVE (LIFTED APPS)

CAST 1PC
D557 ANZA



MATTE BLACK & ANTHRACITE RING

15 x 8.0 - 15 x 10 / 16 x 8.0 / 17 x 8.5 / 18 x 8.0 - 18 x 9.0 / 20 x 9.0 - 20 x 10
5/6/8 - LUG APPLICATIONS
PATENTS: D714205, D711807

CAST 1PC
D605 AVENGER



MATTE BLACK & MACHINED DDT

20 x 9.0 - 20 x 10 - 20 x 12 / 22 x 12
5/6/8 - LUG APPLICATIONS
DEEP LIP LIFTED APPS

CAST 1PC
D606 AVENGER



GLOSS BLACK & MACHINED

20 x 9.0 - 20 x 10 - 20 x 12 / 22 x 12
5/6/8 - LUG APPLICATIONS
DEEP LIP LIFTED APPS

CAST 1PC
D558 ANZA



MATTE ANTHRACITE & BLACK RING

15 x 8.0 - 15 x 10 / 16 x 8.0 / 17 x 8.5 / 18 x 8.0 - 18 x 9.0 / 20 x 9.0 - 20 x 10
5/6/8 - LUG APPLICATIONS
PATENTS: D714205, D711807

CAST 1PC
D583 ANZA



BRONZE W/ BLACK RING

17 x 8.5 / 18 x 9.0 / 20 x 9.0
5/6/8 - LUG APPLICATIONS
PATENTS: D714205, D711807

CAST 1PC
D626 BAJA



SATIN BLACK W/ GLOSS BLACK HARDWARE

20 x 9.0
5/6/8 - LUG APPLICATIONS

CAST 1PC
D628 BAJA



ANTHRACITE W/ BLACK RIM

20 x 9.0
5/6/8 - LUG APPLICATIONS

CAST 1PC
D546 ASSAULT



MATTE BLACK & MILLED

15 x 8.0 - / 17 x 8.5 - 17 x 9.0 / 18 x 9.0 / 20 x 9.0 - 20 x 10 - 20 x 12 / 22 x 9.5
22 x 10 - 22 x 12 / 24 x 11
5/6/8 - LUG APPLICATIONS
PATENTS: D736133, D736138 / DEEP CONCAVE (LIFTED APPS)

CAST 1PC
D576 ASSAULT



GLOSS BLACK & MILLED

17 x 9.0 / 18 x 9.0 / 20 x 9.0 - 20 x 10
5/6/8 - LUG APPLICATIONS
PATENTS: D736133, D736138 / DEEP CONCAVE (LIFTED APPS)

CAST 1PC
D578 BATTLE AXE



GLOSS BLACK & MILLED

17 x 9.0 / 18 x 9.0 / 20 x 9.0 - 20 x 10 - 20 x 12 / 22 x 12
5/6/8 - LUG APPLICATIONS
PATENT PENDING / DEEP CONCAVE (LIFTED APPS)

CAST 1PC
D562 BEAST



GLOSS BLACK & MILLED

18 x 9.0 / 20 x 9.0 - 20 x 10 - 20 x 12
5/6 - LUG APPLICATIONS
PATENTS: D737749, D734702 / DEEP CONCAVE (LIFTED APPS)



D626 BAJA
SATIN BLACK W/ GLOSS BLACK HARDWARE
20 x 9.0 - 37x13.50R20 M/T



D628 BAJA
ANTHRACITE W/ BLACK LIP
20 x 9.0 - 275/55R20 A/T

**CAST 1PC
D564 BEAST**



MATTE BLACK & MACHINED DDT

16 x 8.0 / 17 x 9.0 / 18 x 9.0 / 20 x 9.0 - 20 x 10 - 20 x 12 / 22 x 12
5/6/8 - LUG APPLICATIONS
PATENTS: D737749, D734702 / DEEP CONCAVE (LIFTED APPS)

**CAST 1PC
D534 BOOST**



MATTE BLACK & MILLED

16 x 8.0 / 17 x 9.0 / 18 x 9.0 / 20 x 9.0
5/6/8 - LUG APPLICATIONS
PATENTS: D649101, D664907 / DEEP LIP (LIFTED APPS)

**CAST 1PC
D616 CONTRA**



MATTE BLACK & MILLED

20 x 9.0 - 20 x 10 / 22 x 10 - 22 x 12
5/6/8 - LUG APPLICATIONS
DEEP CONCAVE (LIFTED APPS)

**CAST 1PC
D556 COUPLER**



BLACK & MACHINED DDT

17 x 9.0 / 18 x 9.0 / 20 x 9.0 - 20 x 10 - 20 x 12 / 22 x 12
5/6/8 - LUG APPLICATIONS
PATENTS: D712334, D708113

**CAST 1PC
D573 CLEAVER**



CHROME

17 x 9.0 / 18 x 9.0 / 20 x 9.0 - 20 x 12 / 22 x 10 - 22 x 12
5/6/8 - LUG APPLICATIONS
PATENTS: D748555, D738280 / DEEP LIP (LIFTED APPS)

**CAST 1PC
D574 CLEAVER**



GLOSS BLACK & MILLED

17 x 9.0 / 18 x 9.0 / 20 x 9.0 - 20 x 10 - 20 x 12 / 22 x 10 - 22 x 12
5/6/8 - LUG APPLICATIONS
PATENTS: D748555, D738280 / DEEP LIP (LIFTED APPS)

**CAST 1PC
D575 COUPLER**



GLOSS BLACK

17 x 9.0 / 18 x 9.0 / 20 x 9.0 - 20 x 10 / 22 x 12
5/6/8 - LUG APPLICATIONS
PATENTS: D712334, D708113

**CAST 1PC
D561 CRUSH**



GLOSS BLACK & MACHINED DDT

17 x 9.0 / 18 x 9.0 / 20 x 9.0 - 20 x 10
5/6/8 - LUG APPLICATIONS
PATENTS: D759561, D748554

**CAST 1PC
D614 CONTRA**



CHROME

20 x 9.0 - 20 x 10 / 22 x 10 - 22 x 12
5/6/8 - LUG APPLICATIONS
DEEP CONCAVE (LIFTED APPS)

**CAST 1PC
D615 CONTRA**



GLOSS BLACK & MILLED

20 x 9.0 - 20 x 10 / 22 x 10 - 22 x 12
5/6/8 - LUG APPLICATIONS
DEEP CONCAVE (LIFTED APPS)

**CAST 1PC
D622 DAKAR**



GLOSS BLACK & MILLED

20 x 9.0
5/6 - LUG APPLICATIONS

**CAST 1PC
D624 DAKAR**



MATTE BLACK

20 x 9.0
5/6 - LUG APPLICATIONS



D622 DAKAR
GLOSS BLACK & MILLED
20 x 9.0 - 275/55R20 A/T



D623 DAKAR
MATTE BLACK
20 x 9.0 - 35x12.50R20 M/T

**CAST 1PC
D598 DIESEL**



GLOSS BLACK & MILLED

20 x 9.0 - 20 x 10 - 20 x 12
5/6/8 - LUG APPLICATIONS
DEEP CONCAVE (LIFTED APPS)

**CAST 1PC
D608 ENDURO**



MATTE BLACK

17 x 9.0 / 18 x 9.0 / 20 x 9.0
5/6 - LUG APPLICATIONS
DEEP CONCAVE (LIFTED APPS)

**CAST 1PC
D530 HOSTAGE**



CHROME

17 x 8.5 - 17 x 9.0 / 18 x 9.0 - 18 x 12 / 20 x 9.0 - 20 x 10 - 20 x 12 - 20 x 14
22 x 9.5 - 22 x 11 - 22 x 12 - 22 x 14
5/6/8 - LUG APPLICATIONS
DEEP LIP (LIFTED APPS)

**CAST 1PC
D531 HOSTAGE**



MATTE BLACK

17 x 8.5 - 17 x 9.0 / 18 x 9.0 - 18 x 12 / 20 x 9.0 - 20 x 10 - 20 x 12 - 20 x 14
22 x 9.5 - 22 x 11 - 22 x 12 - 22 x 14
5/6/8 - LUG APPLICATIONS
DEEP LIP (LIFTED APPS)

**CAST 1PC
D587 FLOW**



GLOSS BLACK & MILLED

17 x 9.0 / 18 x 9.0 / 20 x 9.0 - 20 x 10 - 20 x 12 / 22 x 10
6/8 - LUG APPLICATIONS / 6 LUG = 6 SPOKES, 8 LUG = 8 SPOKES
DEEP LIP (LIFTED APPS)

**CAST 1PC
D554 FULL BLOWN**



GLOSS BLACK & MILLED

17 x 9.0 / 18 x 9.0 / 20 x 9.0 - 20 x 10 - 20 x 12
5/6/8 - LUG APPLICATIONS
DEEP LIP (LIFTED APPS)

**CAST 1PC
D568 HOSTAGE III**



ANTHRACITE CENTER W/ BLACK RING

17 x 9.0 / 18 x 9.0 / 20 x 9.0
5/6/8 - LUG APPLICATIONS
DEEP LIP (LIFTED APPS)

**CAST 1PC
D603 HYDRO**



MATTE BLACK & MILLED

17 x 8.5 / 18 x 9.0 / 20 x 9.0
5/6/8 - LUG APPLICATIONS
PATENT PENDING

**CAST 1PC
D620 HARDLINE**



GLOSS BLACK & MILLED

20 x 9.0 - 20 x 10 - 20 x 12 / 22 x 12
5/6/8 - LUG APPLICATIONS
PATENT PENDING / DEEP LIP (LIFTED APPS)

**CAST 1PC
D621 HARDLINE**



GLOSS BLACK & MILLED W/ RED ACCENTS

20 x 9.0 - 20 x 10 - 20 x 12 / 22 x 12
5/6/8 - LUG APPLICATIONS
PATENT PENDING / DEEP LIP (LIFTED APPS)

**CAST 1PC
D604 HYDRO**



MATTE BLACK W/ MILLED LOGO

17 x 8.5 / 18 x 9.0 / 20 x 9.0
5/6/8 - LUG APPLICATIONS
PATENT PENDING

**CAST 1PC
D572 JM2**



MATTE BLACK

17 x 8.5
5/6 - LUG APPLICATIONS



D616 CONTRA
MATTE BLACK & MILLED
20 x 10 - 37x13.50R20 M/T

**CAST 1PC
D516 KRANK**



CHROME

17x9.0 / 18x9.0 / 20x9.0 - 20x10 - 20x12 / 22x11
5/6/8 - LUG APPLICATIONS
PATENTS: D680047, D682762 / DEEP LIP (LIFTED APPS)

**CAST 1PC
D517 KRANK**



MATTE BLACK & MILLED

17x9.0 / 18x9.0 / 20x9.0 - 20x10 - 20x12 / 22x11
5/6/8 - LUG APPLICATIONS
PATENTS: D680047, D682762 / DEEP LIP (LIFTED APPS)

**CAST 1PC
D542 MAVERICK**



MATTE ANTHRACITE & MILLED

20x9.0 - 20x10
5/6 - LUG APPLICATIONS
PATENTS: D686963, D686002 / DEEP LIP (LIFTED APPS)

**CAST 1PC
D610 MAVERICK**



GLOSS BLACK & MILLED

17x9.0 / 18x9.0 / 20x9.0 - 20x10 - 20x12 - 20x14 / 22x9.5 - 22x10
22x12
5/6/8 - LUG APPLICATIONS
PATENTS: D686963, D686002 / DEEP LIP (LIFTED APPS)

**CAST 1PC
D567 LETHAL**



MATTE BLACK & MILLED

15x8.0 - 15x10 / 17x9.0 / 18x9.0 / 20x9.0 - 20x10 - 20x12 / 22x11
5/6/8 - LUG APPLICATIONS
PATENTS: 704124, D707610 / DEEP LIP (LIFTED APPS)

**CAST 1PC
D536 MAVERICK**



CHROME

17x9.0 - 17x10 / 18x9.0 - 18x12 / 20x9.0 - 20x10 - 20x12 - 20x14
22x9.5 - 22x10 - 22x12 - 22x14 / 24x14
5/6/8 - LUG APPLICATIONS
PATENTS: D686963, D686002 / DEEP LIP (LIFTED APPS)

**CAST 1PC
D591 NEUTRON**



MATTE BLACK & MILLED

18x9.0 / 20x9.0
5/6/8 - LUG APPLICATIONS
PATENT PENDING / DEEP LIP (LIFTED APPS)

**CAST 1PC
D541 NUTZ**



MATTE BLACK & MACHINED

17x9.0 / 18x9.0 / 20x9.0 - 20x10 / 22x12
5/6/8 - LUG APPLICATIONS
PATENTS: D680936, D686958 / DEEP LIP (LIFTED APPS)

**CAST 1PC
D537 MAVERICK**



MATTE BLACK & MACHINED

17x9.0 / 18x9.0 / 20x9.0 - 20x10 - 20x12 - 20x14 / 22x9.5 - 22x10
5/6/8 - LUG APPLICATIONS
PATENTS: D686963, D686002 / DEEP LIP (LIFTED APPS)

**CAST 1PC
D538 MAVERICK**



MATTE BLACK & MILLED

16x6.5 / 17x8.5 - 17x9.0 - 17x10 / 18x8.0 - 18x9.0 - 18x12 / 20x9.0 - 20x10
20x12 - 20x14 / 22x9.5 - 22x10 - 22x12 - 22x14 / 24x10 - 24x12 - 24x14
5/6/8 - LUG APPLICATIONS
PATENTS: D686963, D686002 / DEEP LIP (LIFTED APPS)

**CAST 1PC
D508 OCTANE**



CHROME

18x9.0 / 20x9.0 - 20x12 / 22x14
5/6/8 - LUG APPLICATIONS
DEEP LIP (LIFTED APPS)

**CAST 1PC
D509 OCTANE**



MATTE BLACK

17x8.5 / 18x9.0 / 20x9.0 - 20x12 / 22x10 - 22x14
5/6/8 - LUG APPLICATIONS
DEEP LIP (LIFTED APPS)



D607 WARRIOR
GLOSS BLACK & MILLED
20 x 10 - 35x12.50R20 M/T

**CAST 1PC
D617 PODIUM**

NEW DESIGN FOR 2018



BRONZE W/ BLACK LIP

17x9.0 / 18x9.0 / 20x9.0
5/6/8 - LUG APPLICATIONS
PATENT PENDING

**CAST 1PC
D618 PODIUM**

NEW DESIGN FOR 2018



MATTE BLACK W/ BLACK LIP

17x9.0 / 18x9.0 / 20x9.0
5/6/8 - LUG APPLICATIONS
PATENT PENDING

**CAST 1PC
D594 RENEGADE**



MATTE BLACK & MILLED

17x9.0 / 20x9.0 - 20x10
5/6/8 - LUG APPLICATIONS
PATENTS: D701811, D701812

**CAST 1PC
D525 REVOLVER**



MATTE BLACK & MILLED

15x8.0 - 15x10 / 16x8.0 / 17x9.0 / 18x9.0 / 20x9.0 - 20x10
5/6/8 - LUG APPLICATIONS
PATENTS: D680938, D680937

**CAST 1PC
D619 PODIUM**

NEW DESIGN FOR 2018



ANTHRACITE W/ BLACK LIP

17x9.0 / 18x9.0 / 20x9.0
5/6/8 - LUG APPLICATIONS
PATENT PENDING

**CAST 1PC
D515 PUMP**



MATTE BLACK

18x9.0 / 20x9.0 - 20x10
5/6/8 - LUG APPLICATIONS
PATENT PENDING

**CAST 1PC
D589 RIPPER**



TWO-TONE BLACK

16x8.0 / 17x9.0 / 18x9.0 / 20x9.0 - 20x10
5/6 - LUG APPLICATIONS
PATENT PENDING

**CAST 1PC
D590 RIPPER**



GLOSS BLACK & MILLED

16x8.0 / 17x9.0 / 18x9.0 / 20x9.0 - 20x10
5/6 - LUG APPLICATIONS
PATENT PENDING

**CAST 1PC
D592 RAZOR**



MATTE BLACK & MILLED

17x8.5 - 17x9.0 / 18x9.0 / 20x9.0
5/6/8 - LUG APPLICATIONS
PATENT PENDING

**CAST 1PC
D584 RECOIL**



MATTE BLACK

17x8.5 / 18x9.0 / 20x9.0
5/6 - LUG APPLICATIONS
PATENT PENDING

**CAST 1PC
D613 ROCKER**

NEW DESIGN FOR 2018



GLOSS BLACK & MILLED

20x9.0
5/6/8 - LUG APPLICATIONS

**CAST 1PC
D563 SAVAGE**



GLOSS BLACK & MILLED

17x8.5 / 18x9.0 / 20x9.0 - 20x10
5/6/8 - LUG APPLICATIONS



D617 PODIUM
BRONZE W/ BLACK LIP
17 x 9.0 - 37x13.50R17 M/T



D618 PODIUM
MATTE BLACK W/ BLACK LIP
17 x 9.0 - 37x13.50R17 M/T

**CAST 1PC
D565 SAVAGE**



MATTE BLACK & MILLED

17x8.5 / 18x9.0 / 20x9.0 - 20x10
5/6/8 - LUG APPLICATIONS

**CAST 1PC
D595 SLEDGE**



GLOSS BLACK & MILLED

17x8.0 - 17x9.0 / 18x9.0 / 20x9.0 - 20x10 - 20x12 / 22x9.5 - 22x10
22x12 / 24x12 - 24x14
5/6/8 - LUG APPLICATIONS
PATENT PENDING / DEEP LIP (LIFTED APPS)

**CAST 1PC
D629 TACTIC**

NEW DESIGN FOR 2018



MATTE BLACK W/ MACHINED RING

17x9.0 / 18x9.0 / 20x9.0
5/6 - LUG APPLICATIONS

**CAST 1PC
D630 TACTIC**

NEW DESIGN FOR 2018



MATTE BLACK

16x8.0 / 17x9.0 / 18x9.0 / 20x9.0
5/6 - LUG APPLICATIONS

**CAST 1PC
D596 SLEDGE**



MATTE BLACK W/ GLOSS BLACK LIP

17x8.0 - 17x9.0 / 18x8.0 - 18x9.0 / 20x9.0 - 20x10 - 20x12 / 22x9.5
22x10 - 22x12 / 24x12 - 24x14
5/6/8 - LUG APPLICATIONS
PATENT PENDING / DEEP LIP (LIFTED APPS)

**CAST 1PC
D611 STROKE**

NEW DESIGN FOR 2018



GLOSS BLACK & MILLED

17x9.0 / 18x9.0 / 20x9.0 - 20x10 - 20x12 / 22x10 - 22x12 - 22x14
24x14
5/6/8 - LUG APPLICATIONS
PATENT PENDING / DEEP LIP (LIFTED APPS)

**CAST 1PC
D513 THROTTLE**



MATTE BLACK & MILLED

17x9.0 / 18x9.0 - 18x10 / 20x9.0 - 20x10 - 20x12 / 22x9.5 - 22x14
5/6/8 - LUG APPLICATIONS
PATENTS: D649107, RE45446 / DEEP LIP (LIFTED APPS)

**CAST 1PC
D586 TITAN**



POLISHED

20x9.0 - 20x10 - 20x12
5/6/8 - LUG APPLICATIONS
PATENT PENDING / DEEP LIP (LIFTED APPS)

**CAST 1PC
D612 STROKE**

NEW DESIGN FOR 2018



GLOSS BLACK & MILLED W/ RED ACCENTS

17x9.0 / 18x9.0 / 20x9.0 - 20x10 - 20x12 / 22x10 - 22x12 - 22x14
24x14
5/6/8 - LUG APPLICATIONS
PATENT PENDING / DEEP LIP (LIFTED APPS)

**CAST 1PC
D571 STRYKER**



GLOSS BLACK & MILLED

17x9.0 / 20x9.0 - 20x10
5/6/8 - LUG APPLICATIONS

**CAST 1PC
D588 TITAN**



GLOSS BLACK & MILLED

18x9.0 / 20x9.0 - 20x10 - 20x12 / 22x9.5 - 22x10 - 22x12 - 22x14
5/6/8 - LUG APPLICATIONS
PATENT PENDING / DEEP LIP (LIFTED APPS)

**CAST 1PC
D581 TRITON**



GLOSS BLACK & MILLED

17x9.0 / 18x9.0 / 20x9.0 - 20x10 - 20x12 / 22x9.5 - 22x10 - 22x12
22x14
5/6/8 - LUG APPLICATIONS
PATENT PENDING / DEEP LIP (LIFTED APPS)



D629 TACTIC
MATTE BLACK & MACHINED LIP
17 x 9.0 - 37x13.50R17 M/T



D630 TACTIC
MATTE BLACK
17 x 9.0 - 285/70R17 A/T



D621 HARDLINE
GLOSS BLACK & MILLED W/ RED ACCENTS
20 x 10 - 37x12.50R20 M/T



D612 STROKE

GLOSS BLACK & MILLED W/ RED ACCENTS
22 x 12 - 37x13.50R22 M/T



D612 STROKE

22 x 12 - 37x13.50R22 M/T

**CAST 1PC
D609 TRITON**



CHROME

20 x 9.0 - 20 x 10 - 20 x 12 / 22 x 10 - 22 x 12 - 22 x 14
5/6/8 - LUG APPLICATIONS
PATENT PENDING / DEEP LIP (LIFTED APPS)

**CAST 1PC
D551 TROPHY**



MATTE BLACK W/ ANTHRACITE RING

17 x 8.5 / 18 x 9.0 - 18 x 10 / 20 x 9.0
5/6/8 - LUG APPLICATIONS

**CAST 1PC
D627 VANDAL**



GLOSS BLACK & MILLED

17 x 9.0 / 18 x 9.0 / 20 x 9.0 / 20 x 10
5/6/8 - LUG APPLICATIONS

**CAST 1PC
D579 VECTOR**



MATTE BLACK

16 x 8.0 / 17 x 8.5 - 17 x 9.0 / 18 x 9.0 / 20 x 9.0 - 20 x 10
5/6/8 - LUG APPLICATIONS

**CAST 1PC
D552 TROPHY**



MATTE ANTHRACITE W/ BLACK RING

17 x 8.5 / 18 x 9.0 - 18 x 10 / 20 x 9.0
5/6/8 - LUG APPLICATIONS

**CAST 1PC
D582 TURBO**



GLOSS BLACK & MILLED

17 x 9.0 / 18 x 9.0 / 20 x 9.0 - 20 x 10 - 20 x 12 - 20 x 14 / 22 x 12
6/8 - LUG APPLICATIONS / 6 LUG = 6 SPOKES, 8 LUG = 8 SPOKES
DEEP LIP (LIFTED APPS)

**CAST 1PC
D600 VECTOR**



BRONZE W/ MATTE BLACK RING

17 x 8.5 - 17 x 9.0 / 18 x 9.0 / 20 x 9.0 - 20 x 10
5/6/8 - LUG APPLICATIONS
PATENT: D783495

**CAST 1PC
D601 VECTOR**



ANTHRACITE W/ MATTE BLACK RING

17 x 8.5 - 17 x 9.0 / 18 x 9.0 / 20 x 9.0 - 20 x 10
5/6/8 - LUG APPLICATIONS
PATENT: D783495

**CAST 1PC
D560 VAPOR**



MATTE BLACK

15 x 8.0 / 17 x 9.0 / 18 x 8.0 - 18 x 9.0 / 20 x 9.0 - 20 x 10 - 20 x 12 / 22 x 10
22 x 12
5/6/8 - LUG APPLICATIONS / DEEP CONCAVE (LIFTED APPS)

**CAST 1PC
D569 VAPOR**



MATTE BLACK & MACHINED DDT

15 x 8.0 / 17 x 9.0 / 18 x 9.0 / 20 x 9.0 - 20 x 10 - 20 x 12 / 22 x 10 - 22 x 12
5/6/8 - LUG APPLICATIONS / DEEP CONCAVE (LIFTED APPS)

**CAST 1PC
D607 WARRIOR**



GLOSS BLACK & MILLED

20 x 9.0 - 20 x 10
5/6 - LUG APPLICATIONS
D607 & D623 for 5/6 LUG

**CAST 1PC
D597 WILDCAT**



GLOSS BLACK & MILLED

17 x 9.0 / 20 x 9.0 - 20 x 10
5/6/8 - LUG APPLICATIONS



D627 VANDAL
GLOSS BLACK & MILLED
20 x 10 - 35x12.50R20 M/T



D613 ROCKER
GLOSS BLACK & MILLED
20 x 9.0 - 275/55R20 A/T

FUEL 2PC CAST

D272 ROCKER
22 x 14 - 38x15.50R22 M/T



**CAST 2PC
D246 ASSAULT**

NEW
DESIGN
FOR
2018



CHROME W/ GLOSS BLACK LIP

20 x 10 - 20 x 12 / 22 x 10 - 22 x 12 - 22 x 14
6/8 - LUG APPLICATIONS
PATENTS: D736133, D736138 / DEEP LIP (LIFTED APPS)

**CAST 2PC
D239 CLEAVER**



GLOSS BLACK & MILLED W/ GLOSS BLACK LIP

20 x 9.0 - 20 x 10 - 20 x 12 - 20 x 14 / 22 x 10 - 22 x 12 - 22 x 14 / 24 x 12 - 24 x 14
24 x 16
5/6/8 - LUG APPLICATIONS
PATENTS: D748555, D738280 / DEEP LIP (LIFTED APPS)

**CAST 2PC
D232 HOSTAGE II**



ANTHRACITE W/ BLACK LIP & ANTHRACITE RING

20 x 10 - 20 x 12
5/6/8 - LUG APPLICATIONS
DEEP LIP (LIFTED APPS)

**CAST 2PC
D266 LETHAL**



CHROME W/ GLOSS BLACK LIP

20 x 10 - 20 x 12 / 22 x 10
5/6/8 - LUG APPLICATIONS
PATENTS: D704124, D707610

**CAST 2PC
D240 CLEAVER**



CHROME W/ GLOSS BLACK LIP

20 x 9.0 - 20 x 10 - 20 x 12 - 20 x 14 / 22 x 10 - 22 x 12 - 22 x 14 / 24 x 12
24 x 14 - 24 x 16
5/6/8 - LUG APPLICATIONS
PATENTS: D748555, D738280 / DEEP LIP (LIFTED APPS)

**CAST 2PC
D268 CRUSH**



MATTE BLACK & MACHINED DDT W/ GLOSS BLACK LIP

20 x 10 - 20 x 12 / 22 x 10 - 22 x 12 - 22 x 14
5/6/8 - LUG APPLICATIONS
DEEP LIP (LIFTED APPS)

**CAST 2PC
D260 MAVERICK**



CHROME W/ GLOSS BLACK LIP

20 x 9.0 - 20 x 10 - 20 x 12 - 20 x 14 / 22 x 10 - 22 x 12 - 22 x 14 / 24 x 12 - 24 x 14
24 x 16
5/6/8 - LUG APPLICATIONS
PATENTS: D686963, D689002 / DEEP LIP (LIFTED APPS)

**CAST 2PC
D262 MAVERICK**



MATTE BLACK & MILLED W/ GLOSS BLACK LIP

22 x 12 / 24 x 12 - 24 x 14 - 24 x 16
5/6/8 - LUG APPLICATIONS
PATENTS: D686963, D689002 / DEEP LIP (LIFTED APPS)

**CAST 2PC
D254 FULL BLOWN**



GLOSS BLACK & MILLED W/ GLOSS BLACK LIP

22 x 10 - 22 x 14
5/6/8 - LUG APPLICATIONS
DEEP LIP (LIFTED APPS)

**CAST 2PC
D243 FULL BLOWN**



CHROME W/ GLOSS BLACK LIP

20 x 10 - 20 x 12 - 20 x 14 / 22 x 10
5/6/8 - LUG APPLICATIONS
DEEP LIP (LIFTED APPS)



D240 CLEAVER
CHROME W/ GLOSS BLACK RIM
24 x 16 - 40x15.50R24 M/T



D246 ASSAULT
CHROME W/ GLOSS BLACK RIM
22 x 12 - 37x13.50R22 M/T

CAST 2PC
D251 NUTZ



MATTE BLACK & MILLED W/ GLOSS BLACK LIP

20 x 9.0 - 20 x 10 - 20 x 12 - 20 x 14 / 22 x 12
5/6/8 - LUG APPLICATIONS
PATENTS: D680936, 22" D686958 / DEEP LIP (LIFTED APPS)

CAST 2PC
D247 RAMPAGE



CHROME W/ GLOSS BLACK LIP

20 x 10 - 20 x 12 / 22 x 12
5/6/8 - LUG APPLICATIONS
DEEP LIP (LIFTED APPS)

CAST 2PC
D272 ROCKER



CHROME W/ GLOSS BLACK LIP

20 x 10 - 20 x 12 / 22 x 10 - 22 x 12 - 22 x 14
5/6/8 - LUG APPLICATIONS

CAST 2PC
D270 SLEDGE



CHROME W/ GLOSS BLACK LIP

20 x 10 - 20 x 12 / 22 x 10 - 22 x 12 - 22 x 14
5/6/8 - LUG APPLICATIONS
PATENT PENDING

CAST 2PC
D238 RAMPAGE



GUNMETAL W/ GLOSS BLACK LIP

20 x 10 - 20 x 12 / 22 x 10 - 22 x 12
5/6/8 - LUG APPLICATIONS
DEEP LIP (LIFTED APPS)

CAST 2PC
D263 RENEGADE



CHROME W/ GLOSS BLACK LIP

20 x 10 - 20 x 12 - 20 x 14 / 22 x 10 - 22 x 12 - 22 x 14
5/6/8 - LUG APPLICATIONS
PATENTS: D701811, D701812 / DEEP LIP (LIFTED APPS)

CAST 2PC
D210 TRITON



CHROME

22 x 14
5/6/8 - LUG APPLICATIONS

CAST 2PC
D211 TRITON



CHROME W/ GLOSS BLACK LIP

20 x 10 - 20 x 12 / 22 x 10 - 22 x 12 - 22 x 14
5/6/8 - LUG APPLICATIONS

CAST 2PC
D264 RENEGADE



BLACK & MILLED W/ CHROME LIP

20 x 10 - 20 x 12 / 22 x 10 - 22 x 12
5/6/8 - LUG APPLICATIONS
PATENTS: D701811, D701812 / DEEP LIP (LIFTED APPS)

CAST 2PC
D265 RENEGADE



MATTE BLACK & MILLED W/ GLOSS BLACK LIP

20 x 10 - 20 x 12 - 20 x 14 / 22 x 10 - 22 x 12 - 22 x 14
5/6/8 - LUG APPLICATIONS
PATENTS: D701811, D701812 / DEEP LIP (LIFTED APPS)



D210 TRITON
CHROME
22 x 14 - 38x15.50R22 M/T

TRUE BEADLOCKS FOR THE TOUGHEST TERRAIN

BEADLOCKS ARE FOR
OFF-ROAD USE ONLY



NEW BEADLOCK DESIGN FOR 2018

CAST W/ FORGED RING D100 ZEPHYR BEADLOCK

BRUSHED CANDY RED W/
RED BEADLOCK RING

17 x 9.0 (-15 / -38)
5/6 - LUG APPLICATIONS
PATENTS: D763768, D768049

CAST W/ FORGED RING D101 ZEPHYR BEADLOCK

MATTE BLACK W/ MATTE
BLACK BEADLOCK RING

17 x 9.0
5/6 - LUG APPLICATIONS
PATENTS: D763768, D768049

CAST W/ FORGED RING D116 ANZA BEADLOCK

RAW MACHINED

17 x 9.0
5/6/8 - LUG APPLICATIONS
PATENTS: D714205, D711807

FINISHES SHOWN L-TO-R:
ANTHRACITE W/MATTE BLACK BEADLOCK RING • BRUSHED BRUSHED CANDY RED W/ RED BEADLOCK RING • MATTE BLACK W/ MATTE BLACK BEADLOCK RING

FINISHES SHOWN L-TO-R:
CANDY RED W/ MACHINED BEADLOCK RING & CUSTOM HARDWARE • BRUSHED MATTE DDT CENTER W/ BRUSHED MATTE CANDY BLACK BEADLOCK RING & CUSTOM HARDWARE • STANDARD RAW MACHINED

FUEL FORGED

FF28

24 x 14 - 40x15.50R24 M/T



Fuel Forged is proud to offer new custom selections on all FF monoblock wheels. Starting with our standard flat or concave profile, we will design and cut any of our wheel styles in either forging. Additionally we offer nine different options for your lip detailing. But wait, there's more! We also custom finish any wheel via our state-of-the-art automated paint and powdercoat line.



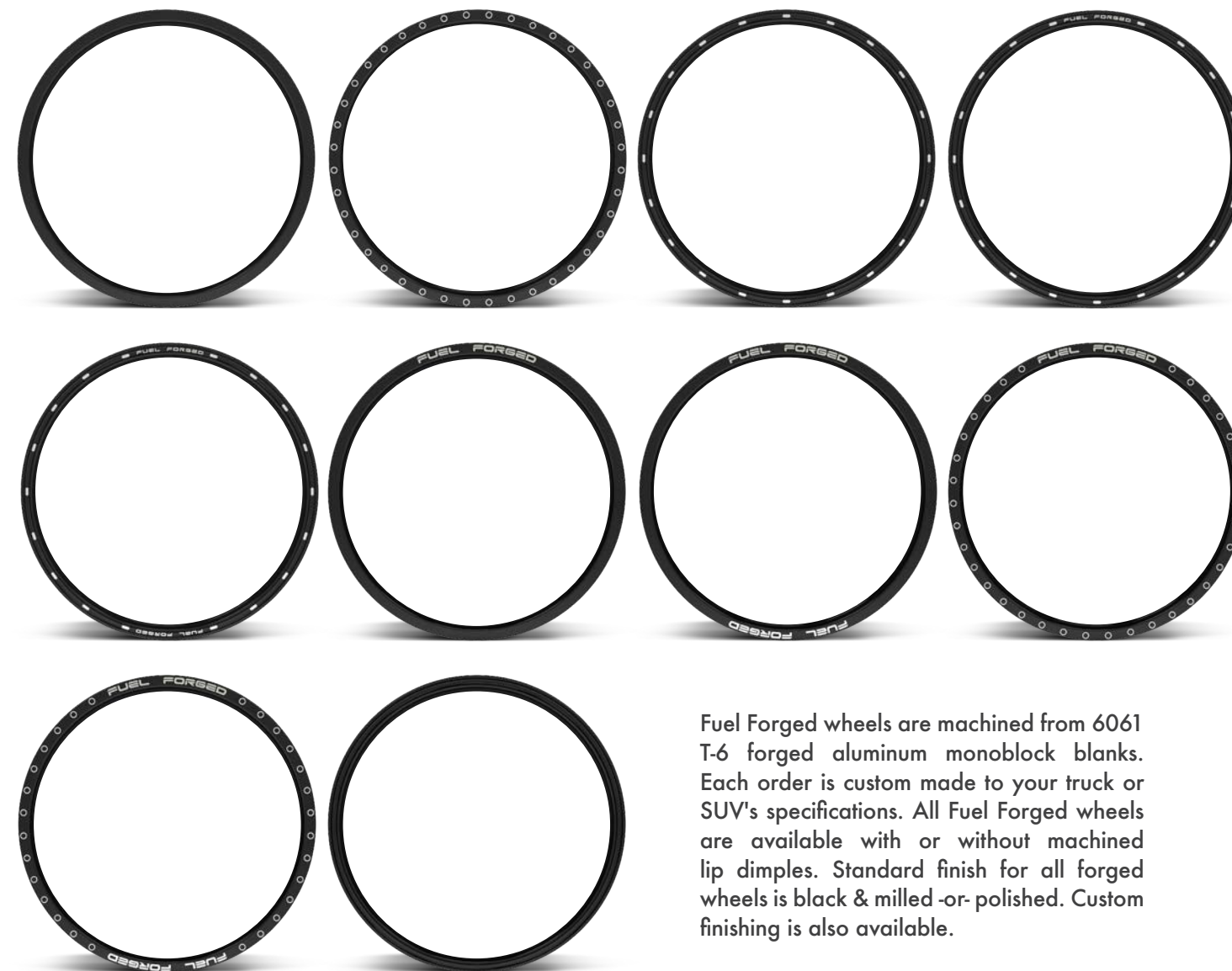
Shown Above in:

- FF45 Flat Profile Forging
- FF45 Flat Profile with custom lip design.

Shown to the right:

- FFC45 Concave Profile Forging

Choose any of the following ten options when building a forged wheel.



Fuel Forged wheels are machined from 6061 T-6 forged aluminum monoblock blanks. Each order is custom made to your truck or SUV's specifications. All Fuel Forged wheels are available with or without machined lip dimples. Standard finish for all forged wheels is black & milled -or- polished. Custom finishing is also available.

SIZES & PROFILES AVAILABLE

FLAT PROFILE
 20x9.0 / 20x10 / 20x12 / 20x14
 22x10 / 22x12 / 22x14 / 22x16
 24x12 / 24x14 / 24x16
 26x12 / 26x14 / 26x16
NEW - 28x16

CONCAVE PROFILE
 22x12 / 22x14
 24x14 / 24x16
 26x14 / 26x16

NEW - DUALY
20 x 8.25 / 22 x 8.25 / 28 x 8.25



CENTER CAP OPTIONS

3 different base cap options (some caps not available for certian wheel designs. Contact your sales rep for availability.) Snap-in plastic, bolt-on plastic and bolt-on forged aluminum (shown custom painted). Custom color matching and finishing available for center caps.

**FUEL FORGED
FF01**



CUSTOM FINISH
5/6/8 - LUG APPLICATIONS

**FUEL FORGED
FF02**



CUSTOM FINISH
5/6/8 - LUG APPLICATIONS

**FUEL FORGED
FF10**



CUSTOM FINISH
5/6/8 - LUG APPLICATIONS

**FUEL FORGED
FF11**



CUSTOM FINISH
5/6/8 - LUG APPLICATIONS

**FUEL FORGED
FF03**



CUSTOM FINISH
5/6/8 - LUG APPLICATIONS

**FUEL FORGED
FF07**



CUSTOM FINISH
5/6/8 - LUG APPLICATIONS

**FUEL FORGED
FF12**



CUSTOM FINISH
5/6/8 - LUG APPLICATIONS

**FUEL FORGED
FF14**



CUSTOM FINISH
5/6/8 - LUG APPLICATIONS

**FUEL FORGED
FF08**



CUSTOM FINISH
5/6/8 - LUG APPLICATIONS

**FUEL FORGED
FF09**



CUSTOM FINISH
5/6/8 - LUG APPLICATIONS

**FUEL FORGED
FF15**



CUSTOM FINISH
5/6/8 - LUG APPLICATIONS

**FUEL FORGED
FF16**



CUSTOM FINISH
5/6/8 - LUG APPLICATIONS



FF19
GLOSS BLACK
26 x 16 - 40x15.50R26 M/T

**FUEL FORGED
FF17**



CUSTOM FINISH
5/6/8 - LUG APPLICATIONS

**FUEL FORGED
FF19**



CUSTOM FINISH
5/6/8 - LUG APPLICATIONS

**FUEL FORGED
FF26**



CUSTOM FINISH
5/6/8 - LUG APPLICATIONS

**FUEL FORGED
FFC26 - CONCAVE**



CUSTOM FINISH
5/6/8 - LUG APPLICATIONS

**FUEL FORGED
FF20**



CUSTOM FINISH
5/6/8 - LUG APPLICATIONS

**FUEL FORGED
FF21**



CUSTOM FINISH
5/6/8 - LUG APPLICATIONS

**FUEL FORGED
FF27**



CUSTOM FINISH
5/6/8 - LUG APPLICATIONS

**FUEL FORGED
FFC27 - CONCAVE**



CUSTOM FINISH
5/6/8 - LUG APPLICATIONS
PATENT PENDING

**FUEL FORGED
FF24**



CUSTOM FINISH
5/6/8 - LUG APPLICATIONS

**FUEL FORGED
FF25**



CUSTOM FINISH
5/6/8 - LUG APPLICATIONS

**FUEL FORGED
FF28**



CUSTOM FINISH
5/6/8 - LUG APPLICATIONS

**FUEL FORGED
FF29**



CUSTOM FINISH
5/6/8 - LUG APPLICATIONS
PATENT PENDING



FF19
COPPER OVER BRUSHED
20 x 10 - 35x12.50R20 M/T

FUEL FORGED
FFC30 - CONCAVE



CUSTOM FINISH
5/6/8 - LUG APPLICATIONS

FUEL FORGED
FF31



CUSTOM FINISH
5/6/8 - LUG APPLICATIONS

FUEL FORGED
FF35



CUSTOM FINISH
5/6/8 - LUG APPLICATIONS

FUEL FORGED
FF36



CUSTOM FINISH
5/6/8 - LUG APPLICATIONS

FUEL FORGED
FF32



CUSTOM FINISH
5/6/8 - LUG APPLICATIONS

FUEL FORGED
FF33



CUSTOM FINISH
5/6/8 - LUG APPLICATIONS

FUEL FORGED
FF37



CUSTOM FINISH
5/6/8 - LUG APPLICATIONS

FUEL FORGED
FF38



CUSTOM FINISH
5/6/8 - LUG APPLICATIONS

FUEL FORGED
FF34



CUSTOM FINISH
5/6/8 - LUG APPLICATIONS

FUEL FORGED
FFC34 - CONCAVE



CUSTOM FINISH
5/6/8 - LUG APPLICATIONS

FUEL FORGED
FF39



CUSTOM FINISH
5/6/8 - LUG APPLICATIONS

FUEL FORGED
FF40



CUSTOM FINISH
5/6/8 - LUG APPLICATIONS



FF45
GLOSS WHITE & POLISHED
24 x 14 - 37x13.50R24 M/T

**FUEL FORGED
FF41**



CUSTOM FINISH
5/6/8 - LUG APPLICATIONS

**FUEL FORGED
FF42**



CUSTOM FINISH
5/6/8 - LUG APPLICATIONS

**FUEL FORGED
FF46**



CUSTOM FINISH
5/6/8 - LUG APPLICATIONS

**FUEL FORGED
FF48**



CUSTOM FINISH
5/6/8 - LUG APPLICATIONS

**FUEL FORGED
FF43**



CUSTOM FINISH
5/6/8 - LUG APPLICATIONS

**FUEL FORGED
FF44**



CUSTOM FINISH
5/6/8 - LUG APPLICATIONS

**FUEL FORGED
FFC48 - CONCAVE**



CUSTOM FINISH
5/6/8 - LUG APPLICATIONS

**FUEL FORGED
FF49**



CUSTOM FINISH
5/6/8 - LUG APPLICATIONS

**FUEL FORGED
FF45**



CUSTOM FINISH
5/6/8 - LUG APPLICATIONS

**FUEL FORGED
FFC45 - CONCAVE**



CUSTOM FINISH
5/6/8 - LUG APPLICATIONS
PATENT PENDING

**FUEL FORGED
FF50**



CUSTOM FINISH
5/6/8 - LUG APPLICATIONS

**FUEL FORGED
FF51**



CUSTOM FINISH
5/6/8 - LUG APPLICATIONS



FFC37
GLOSS BLACK & MILLED
22 x 12 - 37x13.50R22 M/T

**FUEL FORGED
FF54**

NEW DESIGN FOR 2018



CUSTOM FINISH
5/6/8 - LUG APPLICATIONS

**FUEL FORGED
FF56**

NEW DESIGN FOR 2018



CUSTOM FINISH
5/6/8 - LUG APPLICATIONS

**FUEL FORGED
FF63**

NEW DESIGN FOR 2018



CUSTOM FINISH
5/6/8 - LUG APPLICATIONS

**FUEL FORGED
FF64**

NEW DESIGN FOR 2018



CUSTOM FINISH
5/6/8 - LUG APPLICATIONS

**FUEL FORGED
FF57**

NEW DESIGN FOR 2018



CUSTOM FINISH
5/6/8 - LUG APPLICATIONS

**FUEL FORGED
FF58**

NEW DESIGN FOR 2018



CUSTOM FINISH
5/6/8 - LUG APPLICATIONS

**FUEL FORGED
FF66**

NEW DESIGN FOR 2018



CUSTOM FINISH
5/6/8 - LUG APPLICATIONS

**FUEL FORGED
FFC67**

NEW DESIGN FOR 2018



CUSTOM FINISH
5/6/8 - LUG APPLICATIONS

**FUEL FORGED
FF59**

NEW DESIGN FOR 2018



CUSTOM FINISH
5/6/8 - LUG APPLICATIONS

**FUEL FORGED
FF60**

NEW DESIGN FOR 2018



CUSTOM FINISH
5/6/8 - LUG APPLICATIONS

**FUEL FORGED
FF68**

NEW DESIGN FOR 2018



CUSTOM FINISH
5/6/8 - LUG APPLICATIONS

FUEL DUALY

FF39

22 x 12F / 22 x 8.25R - 37x15.50R22 M/T



Backspace options give you the ability to customize your stock to modified dually truck. We offer three different specs to play with 2.5", 3.5" or 4.5" spacing, each for a specific look and style.

STREET - 2.5" spacing for street and A/T tires as wide as 275 mm



LIFTED - 3.5" spacing for street and A/T Tires 285 - 325 mm wide and 12.50 wide M/T tires



EXTREME - 4.5" Spacing for 13.50 wide M/T Tires.



CAST 1PC DUALY
D574 CLEAVER
FRONT/REAR



GLOSS BLACK & MILLED

FRONT - 20 x 8.25 / REAR - 20 x 8.25
8 - LUG APPLICATIONS / PATENTS: D748555, D738280

CAST 1PC DUALY
D536 MAVERICK
FRONT/REAR



CHROME

FRONT - 20 x 8.25 / REAR - 20 x 8.25
8 - LUG APPLICATIONS / PATENTS: D680049, D680940

CAST 1PC DUALY
D538 MAVERICK
FRONT/REAR



MATTE BLACK & MILLED

FRONT - 17 x 6.5 / 20 x 8.25 / 22 x 8.25 / REAR - 17 x 6.5 / 20 x 8.25 / 22 x 8.25
8 - LUG APPLICATIONS / PATENTS: D680049, D680940

CAST 1PC DUALY
D513 THROTTLE
FRONT/REAR



MATTE BLACK & MILLED

FRONT - 17 x 6.5 / REAR - 17 x 6.5
8 - LUG APPLICATIONS
PATENTS: D680049, D680940

CAST 1PC DUALY
D581 TRITON
FRONT/REAR



GLOSS BLACK & MILLED

FRONT - 20 x 8.25 / REAR - 20 x 8.25
8 - LUG APPLICATIONS
PATENT PENDING



D581 TRITON
GLOSS BLACK & MILLED
20 x 8.25



L to R :
FF60D 10-LUG
FF60 8-LUG

IF YOU WANT IT, WE CAN MAKE IT.

ALMOST ANY FUEL FORGED DESIGN CAN BE MADE INTO A DUALY WHEEL. TALK TO YOUR SALES REPRESENTATIVE ABOUT FORGED MONOBLOCK DUALY OPTIONS AVAILABLE TO YOU INCLUDING NO ADAPTER 10-LUG WHEELS.

FORGED MONOBLOCK DUALY
FF12D
FRONT/REAR



CUSTOM FINISH
20 x 8.25 / 22 x 8.25 / 28 x 8.25 (10-LUG SIMULATED)
8/10 - LUG APPLICATIONS
PATENT PENDING

FORGED MONOBLOCK DUALY
FF19D
FRONT/REAR



CUSTOM FINISH
20 x 8.25 / 22 x 8.25 / 28 x 8.25 (10-LUG SIMULATED)
8/10 - LUG APPLICATIONS
PATENT PENDING

FORGED MONOBLOCK DUALY
FF39D
FRONT/REAR

NEW DESIGN FOR 2018



CUSTOM FINISH
20 x 8.25 / 22 x 8.25 / 28 x 8.25 (10-LUG SIMULATED)
8/10 - LUG APPLICATIONS
PATENT PENDING

FORGED MONOBLOCK DUALY
FF45D
FRONT/REAR

NEW DESIGN FOR 2018



CUSTOM FINISH
20 x 8.25 / 22 x 8.25 / 28 x 8.25 (10-LUG SIMULATED)
8/10 - LUG APPLICATIONS
PATENT PENDING

FORGED MONOBLOCK DUALY
FF52D
FRONT/REAR

NEW DESIGN FOR 2018



CUSTOM FINISH
20 x 8.25 / 22 x 8.25 / 28 x 8.25 (10-LUG SIMULATED)
8/10 - LUG APPLICATIONS
PATENT PENDING

FORGED MONOBLOCK DUALY
FF60D
FRONT/REAR

NEW DESIGN FOR 2018



CUSTOM FINISH
20 x 8.25 / 22 x 8.25 / 28 x 8.25 (10-LUG SIMULATED)
8/10 - LUG APPLICATIONS
PATENT PENDING

FORGED MONOBLOCK DUALY
FF21D
FRONT/REAR



CUSTOM FINISH
20 x 8.25 / 22 x 8.25 / 28 x 8.25 (10-LUG SIMULATED)
8/10 - LUG APPLICATIONS
PATENT PENDING

FORGED MONOBLOCK DUALY
FF31D
FRONT/REAR



CUSTOM FINISH
20 x 8.25 / 22 x 8.25 / 28 x 8.25 (10-LUG SIMULATED)
8/10 - LUG APPLICATIONS
PATENT PENDING



L to R : FF45D Traditional Dually style w/ simulated 10-Lug cap
FF45D Fuel Forged super single style

FUEL FORGED OR DUALY STYLE

Want that deep lip wheel on the front end of your dually? A growing trend in the dually aftermarket has been the replacing of the convex front wheel that comes standard on all dualy's with wheels that have a deep lip. A simple front end modification allows you to fit any one of our Fuel Forged designs in our standard deep lip forgings. This look can also be done with our cast designs such as the Maverick, Cleaver, and Triton.

CUSTOM FINISHING AVAILABLE IN OUR IN-HOUSE AUTOMATED PAINT AND POWDERCOAT FACILITY





FF19
POLISHED
28 x 8.25 F/R

FORGED 2PC BOLTED DUALY
D239 CLEAVER
FRONT/REAR



CUSTOM FINISH

22 x 8.25 / 24 x 8.25
8 - LUG APPLICATIONS
PATENTS D748555, D738280

FORGED 2PC BOLTED DUALY
D269 FLOW
FRONT/REAR



CUSTOM FINISH

22 x 8.25 / 24 x 8.25
8 - LUG APPLICATIONS
PATENTS D748555, D738280

FORGED 2PC BOLTED DUALY
D265 RENEGADE
FRONT/REAR



CUSTOM FINISH

22 x 8.25 / 24 x 8.25
8 - LUG APPLICATIONS
PATENTS: D701811, D701812

FORGED 2PC BOLTED DUALY
D212 THROTTLE
FRONT/REAR



CUSTOM FINISH

22 x 8.25 / 24 x 8.25
8 - LUG APPLICATIONS
PATENTS: D649107, RE45446

FORGED 2PC BOLTED DUALY
D254 FULL BLOWN
FRONT/REAR



CUSTOM FINISH

22 x 8.25 / 24 x 8.25
8 - LUG APPLICATIONS

FORGED 2PC BOLTED DUALY
D232 HOSTAGE II
FRONT/REAR



CUSTOM FINISH

22 x 8.25 / 24 x 8.25
8 - LUG APPLICATIONS

FORGED 2PC BOLTED DUALY
D213 THROTTLE
FRONT/REAR



CUSTOM FINISH

22 x 8.25 / 24 x 8.25
8 - LUG APPLICATIONS
PATENTS: D649107, RE45446

FORGED 2PC BOLTED DUALY
D267 LETHAL
FRONT/REAR



CUSTOM FINISH

22 x 8.25 / 24 x 8.25
8 - LUG APPLICATIONS
PATENTS: D704124, D707610

FORGED 2PC BOLTED DUALY
D262 MAVERICK
FRONT/REAR



CUSTOM FINISH

22 x 8.25 / 24 x 8.25
8 - LUG APPLICATIONS
PATENTS: D686963, D689002



D262 MAVERICK
FLUORESCENT GREEN
22 x 8.25 - 35x15.50R22 M/T

GRIPPER A/T TIRES

The Gripper A/T features a bold off-road look that instantly transforms any vehicle. The aggressive, high-void all-terrain tread features a stiff sidewall to help prevent punctures and bruises under the tread and in the sidewall. Built to improve stress distribution, tread life and wear, the Gripper A/T is your go-to tire for the daily-driven off-road truck or SUV.

Tornado-style pattern design, greatly improving tire grip, also providing you a beautifully simple and elegant appearance.

Small sipes design, providing vastly reduced road noise and heat release, while improving overall ride comfort and tire service life.

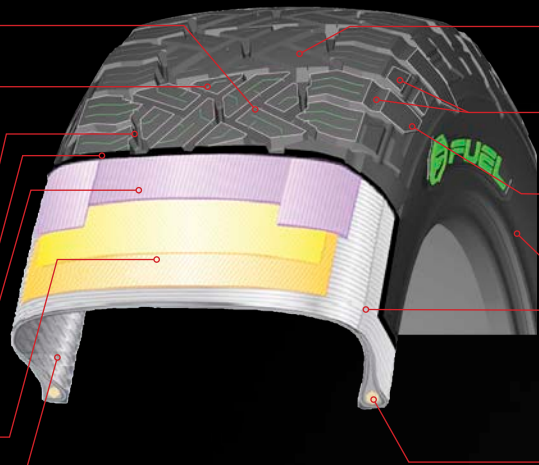
Deepening the tires groove design, greatly improving the wear resistance of the tire.

Thicker base rubber design, making the tire more difficult to puncture

Double seamless Wrap Tape, providing enhanced tightening to further improve tire speed, durability and impact resistance.

Double-layer high-strength belt steel wire to ensure the performance of the tire.

Special airtight formula to ensure tire tightness.



All-terrain pattern design provides strong tear resistance, keeping excellent grip on a variety of roads.

Shoulder concave-convex design, greatly improving lateral grip, allowing for maximum tire control in mud or sand.

Box pattern extends to the sidewall, to ensure the side of the impact resistance.

The Rim Protector Design protects the rim from shock damage.

Double-layer reinforced polyester matrix material, providing improved tire stability at high speeds, while also improving durability and impact resistance.

A single high-strength steel wire is wound seamlessly, so that the tire and rim are closely integrated to further ensure tire safety.

Size (metric)	Part Number	Weight (lbs.)	Load Range	Max Load (lbs.)	Rim Range (inch)	Max PSI	Diameter (inch)	Width (inch)	Warranty (miles)
LT265/70R17	RFAT 26570R17	49.1	E/10PR	3195/2910	7.0 - 8.0 - 8.5	80	31.7	10.7	50000
LT285/70R17	RFAT 28570R17	56.2	E/10PR	3195/2910	7.5 - 8.5 - 10.0	80	32.8	12.7	50000
P275/65R18	RFAT 27565R18	40.1	STD	2601	7.5 - 8.0 - 9.0	36	32.1	11.0	55000
LT285/65R18	RFAT 28565R18	70.5	E/10PR	3640/3305	8.0 - 8.5 - 10.0	80	32.6	11.5	50000
LT295/70R18	RFAT 29570R18	65.6	E/10PR	4080/3750	7.5 - 8.5 - 10.0	80	34.3	11.8	50000
275/55R20	RFAT 27555R20	48.0	XL	2833	7.5 - 8.5 - 9.5	42	31.9	11.2	55000
LT285/55R20	RFAT 28555R20	60.8	E/10PR	3525/3195	8.0 - 9.0 - 10.0	80	32.4	11.7	50000
LT305/55R20	RFAT 30555R20	70.1	E/10	3195/2910	8.5 - 9.5 - 11.0	65	33.2	12.4	50000
LT325/60R20	RFAT 32560R20	75.3	E/10PR	3740/3415	9.0 - 9.5 - 12.0	80	34.8	13.0	50000
LT285/50R22	RFAT 28550R22	64.2	E/10PR	3525/3195	8.0 - 9.0 - 10.0	80	33.27	11.69	50000
LT325/50R22	RFAT 32550R22	76.1	E/10PR	3860	9.5 - 10.0 - 12.0	80	34.8	13.3	50000
305/30R28	RFAT 30530R28	62.4	XL	2756	10.5 - 11.0 - 12.0	50	35.2	12.6	55000
LT285/40R28	RFAT 28540R28	76.0	E/10PR	2833/2600	8.25 - 9.0 - 11.0	80	37	11.42	50000





FUEL
OFF-ROAD

D928 MAVERICK
MATTE BLACK & MILLED W/ MATTE BLACK RING
15 x 8.0F / 15 x 10R

CAST 1PC UTV
D557 ANZA
NON-BEADLOCK



MATTE BLACK W/
ANTHRACITE RING

14 x 7.0 / 15 x 7.0
PATENTS: D714205, D711807

CAST 1PC UTV
D558 ANZA
NON-BEADLOCK



MATTE ANTHRACITE
W/ BLACK RING

14 x 7.0 / 15 x 7.0
PATENTS: D714205, D711807

CAST 1PC UTV
D541 NUTZ
NON-BEADLOCK



MATTE BLACK &
MACHINED FACE

14 x 7.0
PATENTS: D680936, D686958

CAST 1PC UTV
D595 SLEDGE
NON-BEADLOCK

NEW
DESIGN
FOR
2018



GLOSS BLACK
& MILLED

20 x 7.0
PATENT PENDING

CAST 1PC UTV
D583 ANZA
NON-BEADLOCK

NEW
FINISH
FOR
2018



BRONZE
BLACK RING

14 x 7.0 / 15 x 7.0
PATENTS: D714205, D711807

CAST 1PC UTV
D546 ASSAULT
NON-BEADLOCK

NEW
DESIGN
FOR
2018



MATTE BLACK
& MILLED

14 x 7.0 / 15 x 7.0
PATENTS: D736133, D736138

CAST 1PC UTV
D560 VAPOR
NON-BEADLOCK

NEW
DESIGN
FOR
2018



MATTE BLACK

14 x 7.0
PATENTS: D783495

CAST 1PC UTV
D579 VECTOR
NON-BEADLOCK



MATTE BLACK W/
BLACK RING

14 x 7.0 / 15 x 7.0
PATENTS: D783495

CAST 1PC UTV
D567 LETHAL
NON-BEADLOCK



MATTE BLACK
& MILLED

14 x 7.0 / 15 x 7.0
PATENTS: D704124, D707610

CAST 1PC UTV
D538 MAVERICK
NON-BEADLOCK



MATTE BLACK
& MILLED

14 x 7.0 / 15 x 7.0 / 16 x 7.0 / 18 x 7.0 / 20 x 7.0 / 22 x 7.0 / 24 x 7.0
PATENTS: D686963, D689002

CAST 1PC UTV
D917 ANZA
BEADLOCK



MATTE BLACK W/
ANTHRACITE RING

14 x 7.0 / 15 x 7.0
PATENTS: D714205, D711807

CAST 1PC UTV
D918 ANZA
BEADLOCK



MATTE ANTHRACITE W/
BLACK RING

14 x 7.0 / 15 x 7.0
PATENTS: D714205, D711807



FF62 GATLING
MATTE BLACK W/ CANDY BLACK RING
15 x 8.0F / 15 x 10R

**CAST 1PC UTV
D928 MAVERICK
BEADLOCK**

NEW DESIGN FOR 2018



MATTE BLACK &
MILLED W/ BLACK RING

14 x 7.0 - 14 x 8.0 - 14 x 10 / 15 x 7.0 - 15 x 8.0 - 15 x 10
PATENTS: D686963, D689002

**CAST 1PC UTV
D920 VECTOR
BEADLOCK**



MATTE BLACK W/
BLACK RING

14 x 7.0 / 15 x 7.0
PATENTS: D783495

**FORGED 2PC UTV
FF64 ARROW
BEADLOCK**

NEW DESIGN FOR 2018



MATTE BLACK W/
GLOSS BLACK RING

15 x 7.0
PATENT PENDING

**FORGED 2PC UTV
FF62 GATING
BEADLOCK**

NEW DESIGN FOR 2018



MATTE BLACK W/
CANDY BLACK RING

15 x 7.0
PATENT PENDING

**FORGED 1PC UTV
FF19**

NEW DESIGN FOR 2018



BRUSHED W/
POLISHED WINDOWS

20 x 9.0 - 20 x 10 - 20 x 14 / 22 x 12 - 22 x 14 - 22 x 16 / 24 x 12 - 24 x 14 - 24 x 16
PATENT PENDING

**FORGED 1PC UTV
FF52 TROPHY
NON-BEADLOCK**

NEW DESIGN FOR 2018



POLISHED

15 x 7.0

**FORGED 1PC UTV
D105 TROPHY
BEADLOCK**

NEW DESIGN FOR 2018



BRUSHED W/
POLISHED WINDOWS

15 x 7.0
PATENT PENDING

**FORGED 1PC UTV
D106 ANZA
BEADLOCK**

NEW DESIGN FOR 2018



MATTE BLACK
& MILLED

15 x 7.0
PATENTS: D686963, D689002

FORGED RINGS FOR ALL.

All Fuel beadlock wheels come with a bolt-on forged billet ring with available custom milling and finishing. At Fuel UTV, strength is our standard.





D546 ASSAULT UTV
MATTE BLACK & MILLED
15 x 7.0 - 32x10.00R15 R/T

GRIPPER R/T UTV TIRES

Tested at the longest desert race in U.S. BITD Vegas to Reno, the 32" Gripper R/T tire performed flawlessly. Built with a 10-ply rating and our lightest casing yet at under 40lbs the tire features aggressive side lugs for added puncture resistance without sacrificing weight.

Small sipes can reduce heat generation.

Tire shoulder block design, improve the tire lateral grip and impact resistance.

Huge blocks on tread pattern heighten the grip effect on off roads.

Large deep groove pattern, greatly improve the tire grip while providing higher wear resistance.

Double Seamless Wrap Tape to tighten tires to further enhance high speed, durability and impact resistance.

Double-layer high-strength belt steel wire to ensure the performance of the tire.

Special airtight formula to ensure tire tightness.



Large block pattern design extended to the sidewall, greatly improving the sidewall impact resistance.

Sidewall protruding large block pattern, to further improve the sidewall impact resistance.

Thick Base Rubber Design, to protect the tire is not easy to pierce.

The Rim Protector Design protects the rim from shock damage.

2-layer carcass design, improved tires to tell the stability and durability, and colleagues to ensure high-strength impact resistance.

Single high-strength steel wire seamless seaming, so that the tire and the rim tightly integrated to further protect the tire safety.



Size	Part Number	Weight (lbs.)	Ply Rating	Max Load (lbs.)	Rim Range (inch)	Max PSI	Diameter (inch)	Width (inch)	Tread Construction	Side Construction
28x10-14R	RFTT281000R14	31.10	10	855	6.5 - 8.5	20	27.9	9.9	2P+2S+1N	2P
32x10-15R	RFTT321000R15	39.50	10	1050	6.5 - 8.5	20	31.62	9.4	2P+2S+1N	2P



D552 TROPHY
MATTE ANTHRACITE W/ BLACK LIP
20 x 9.0

CATCH US ON THE ROAD.

WE DO OVER 100 EVENTS A YEAR WITH ALL OUR BRANDS. THIS IS JUST A SMALL SELECTION OF THE SHOWS WE DO. CHECK OUR WEBSITES AND SOCIAL MEDIA FOR MORE INFORMATION ON WHERE WE'LL BE THROUGHOUT THE YEAR.



LEADING THE WAY IN EVERY SEGMENT

FUEL OFF-ROAD

Fuel Off-Road has exploded into the most sought after truck wheel brand on the market today and we continue to add to our collection for 2018. Sticking to the saying "go big or go home," we are excited to unveil the monstrous 28" dually wheel and tire package - a worldwide first! We've also expanded our tire division with the all-new UTV Trail Gripper and Gripper R/T Tires. Whether stock, leveled, lifted or trail ready, Fuel Off-Road has the wheels, tires, and accessories you need.

NICHE ROAD WHEELS

Niche Road Wheels are designed and engineered for today's high-performance road cars. Niche designs are offered in both cast and forged constructions. Our cast styles feature an industry leading range of vehicle applications and finishes. Niche Road Wheels deliver the greatest selection of style, size, application, and finish options on the market today.

ROTIFORM

First established in 2009, Rotiform has grown to be the leading brand for aggressive fitments and avant garde designs. With a nod toward retro European styling blended with cutting edge profiles and new construction techniques, Rotiform wheels push the limits of modern car modification. Rotiform wheels are available in both cast and custom forged builds, featuring a vast variety of sizes and specialty finishes.

DUB WHEELS

For the past 20 years, DUB Wheels has been changing the way we think of the aftermarket wheel. Staying true to our history of pushing the limits of wheel size and vehicle fitment, DUB Forged wheels are now available up to 34". We've also expanded the luxury brushed finishes available on our 1 pc cast wheels. The new DUB Luxe features a brushed face with gloss black windows.

U.S. MAG WHEELS

U.S. MAGS is one of the original custom wheel brands in the U.S.A. With roots in open wheel racing, U.S. MAGS has evolved from the original Indy wheel to the complete line-up you see today. U.S. MAGS offers the most diverse designs, finishes and applications from classic and vintage restorations to modern tuckered trucks. From past to present, U.S. Mags continues to innovate.

FOOSE DESIGN WHEELS

Foose Wheels are designed by world-renowned hot rod builder, Chip Foose. Chip's designs are available in both cast and custom billet construction. Foose designs are not only made for vintage cars or hot rods, but also modern muscle cars, trucks, and SUV's. Whether you drive a '69 Camaro, '57 Bel-Air, a slammed F-150 or a 2016 Mustang GT, Foose wheels has the styling and construction type to enhance your vehicle.



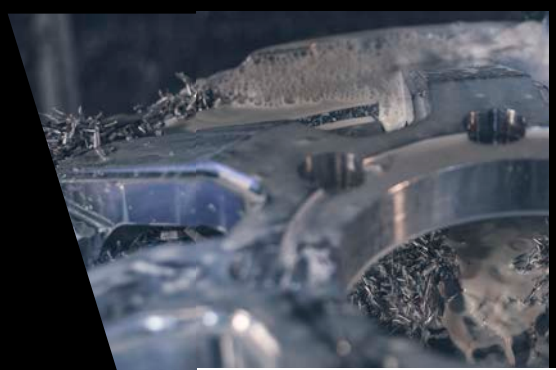
DESIGNED/ENGINEERED/CUT & FINISHED IN-HOUSE IN THE U.S.A.

36,000 SQFT
OF WHEEL
MAKING
HEAVEN



At MHT, we take our machining seriously. With over 25 CNC controlled machining centers running all day and all night, we have the equipment, the engineering know-how, and the workforce to handle any wheel you can dream up. From concept to cutting, we are proud to offer the widest variety of forging styles and the industry's shortest lead times for custom forged wheels.

We never sleep.



FINISHED YOUR WAY.



In 2015, we invested heavily in the ability to offer complete, one-stop in-house finishing. We designed and constructed a state-of-the-art powdercoat and paint facility. Using cutting edge technology and programmable automation, we can offer custom finishes on any MHT-brand wheel and delivery times that will make you wonder if we don't just stock every color and finish under the sun.





**ANY COLOR OR
FINISH YOU CAN
DREAM UP.**

WE CAN DO.

DESIGN YOUR DREAM

