



KLKP400-00

Read before Installation

This product is designed for use on ATVs and/or RUVs to increase ground clearance and fender clearance. Purchasers should be aware that use of this product may increase the frequency of required maintenance, part wear, and will raise the center of gravity on your ATV and/or RUV, increasing risk of roll-over, injury and death on all types of terrain. It is your responsibility to always inform other operators and passengers of this vehicle about the added risks.

High Lifter Products, products are designed to best fit users ATV/RUV under stock conditions. Adding, modifying, or fabricating any OEM or aftermarket parts will void warranty. High Lifter Products, products could interfere with other aftermarket accessories. If the user has aftermarket products on machine, contact High Lifter Products to verify that they will work together. Adding aftermarket suspension components and/or more aggressive tires can cause breakage of other OEM driveline components such as differentials, axles or drive shafts.

We recommend that wider tires and/or wheel spacers be used to achieve a wider stance and to improve stability of the ATV and/or RUV. Riders should be advised that the handling characteristics of a taller ATV and/or RUV are different and require extra care when riding, particularly on side hills or off-camber situations. If you further raise the center of gravity by adding taller tires, heavy loads to racks or seats, or by any other means, the ATV and/or RUV must be operated with even more care, at slower speeds and on relatively flat ground. All turns should be done at a slow speed, even on level ground.

Operation of an ATV and/or RUV with or without modified suspension components, while or shortly after consuming alcohol or drugs, subjects the rider to the risk of serious bodily harm or possible death. This risk is compounded if the rider does not wear an approved helmet and other safety gear. High Lifter urges that all approved safety gear be worn when riding an ATV and/or RUV as a driver or passenger.

By purchasing and installing High Lifter Products, products, user agrees that should damages occur, High Lifter Products will not be held responsible for loss of time, use, labor fees, replacement parts, or freight charges. High Lifter Products will not be held responsible for any direct, indirect, incidental, special, or consequential damages that result from any product purchased from High Lifter Products. The total liability of seller to user for all damages, losses, and causes of action, shall not exceed the total purchase price paid for the product that gives rise to the claim.

Dealers and other Installers

You are responsible for informing your customer and end user of the information contained above and the increased potential hazards of operating an ATV and/or RUV equipped with modified suspension components. If you install any suspension modifying components, it is your responsibility to also install the warning label prominently in view of the driver and in prominent view of the driver and passenger on RUVs and multi-passenger ATVs. They should also be instructed to notify anyone operating the vehicle, as well as any passengers, that said vehicle is modified.

As discussed above, it is critically important that they be instructed in the need for slower speed operation, regardless of terrain, after this lift kit is installed.

This lift kit contains the following parts:

12x55mm Bolts	2	Lift Brackets	4
12mm Nuts	2	Pages of Diagrams	1
12mm Washers	2	Pages of Instructions	2

Front Lift

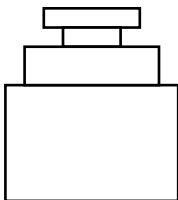
- 1) Place jack under center of ATV front end and lift until front wheels clear the ground. Be careful to support ATV properly so that it is securely supported but so that A-arms and shocks can droop to full extension.
- 2) Remove front wheels.
- 3) Remove C-clip and nut at the top of the strut.
- 4) Screw bracket "A" on top of strut to the same torque specifications as the nut.
- 5) Place the top adapter "A" through the top of the strut mount, and screw the original nut on the top of bracket "A" securing it to the strut mount. Tighten this nut to the required manufacturer specifications and replace the factory C-clip.
- 6) Repeat the procedure for the other side.
- 7) Install the wheels, torque wheel lug nuts to manufacturer's specifications, lower and remove jack. Check for clearance problems or misalignment.

Rear Lift

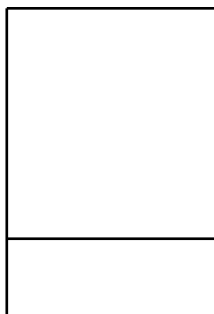
- 1) Place jack under ATV at the rear of the bottom skid plate and lift until the weight is off of the suspension. Be careful to secure the ATV properly so as not to fall off the jack.
- 2) Remove the bottom of the shock from the shock mount on the axle.
- 3) After removing the shock, jack the ATV up 1"-2" further.
- 4) Place Bracket "C" between the shock mounts to prevent shock mount from bending when tightening bolts.
- 5) Place Bracket "B" between the shock and shock mount with the notched out ends facing downward. Insert a new 12x55mm bolt to secure bracket "B" to the shock mount and the shock. Place a washer on bolt prior to fastening nut.
- 6) Tighten all nuts and bolts to manufacturer's torque specifications.
- 7) Install the wheels, torque wheel lug nuts to manufacturer's specifications, lower and remove jack. Check for clearance problems or misalignment.

Parts List

"A" Quantity-2



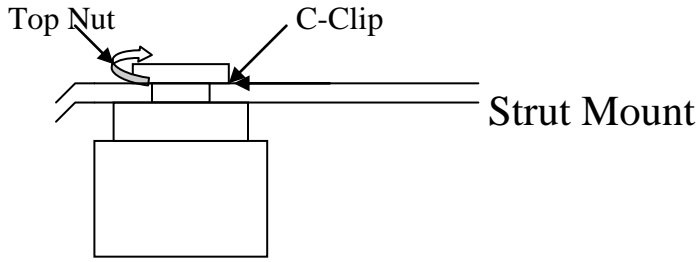
"B" Quantity - 1



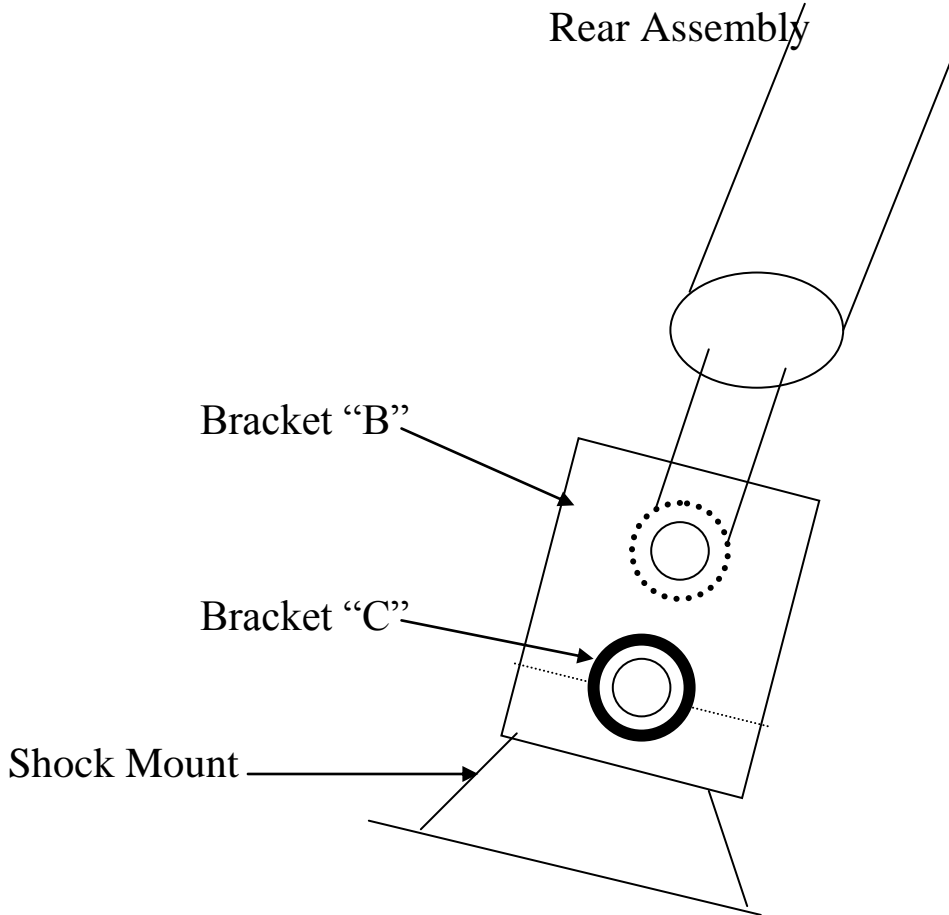
"C" Quantity - 1



Front Mounting Assembly



Rear Assembly



Thank You

For choosing

High Lifter
PRODUCTS



High Lifter Lifetime Warranty

From the beginning, High Lifter has engineered and manufactured some of the toughest, most durable products on the market. That's why this product comes with a Lifetime Warranty. It's our promise that High Lifter will never let you down.

- The **Lifetime Warranty** covers products sold to the original purchaser only and is not transferable. The term of the warranty is for the lifetime of the vehicle in question.
- Normal wear and tear items and finishes, such as, but not limited to: Heim joints, tie rod ends, ball joints, bearings, seals, bushings, bushing sleeves, zinc plating , powder coating, or chipping and discoloration of any finish is not covered.
- High Lifter will ship the replacement product after the returned product has been inspected by High Lifter staff.
- The warranty shall not include claims for damages, installation time or labor charges, economic losses, inconvenience, transportation, towing, down time, direct or indirect or consequential damages or delay resulting from any defect.
- The warranty does not apply to products that have been improperly applied or improperly installed.