

UPC 810541022948

ITEM# IP4456 BK

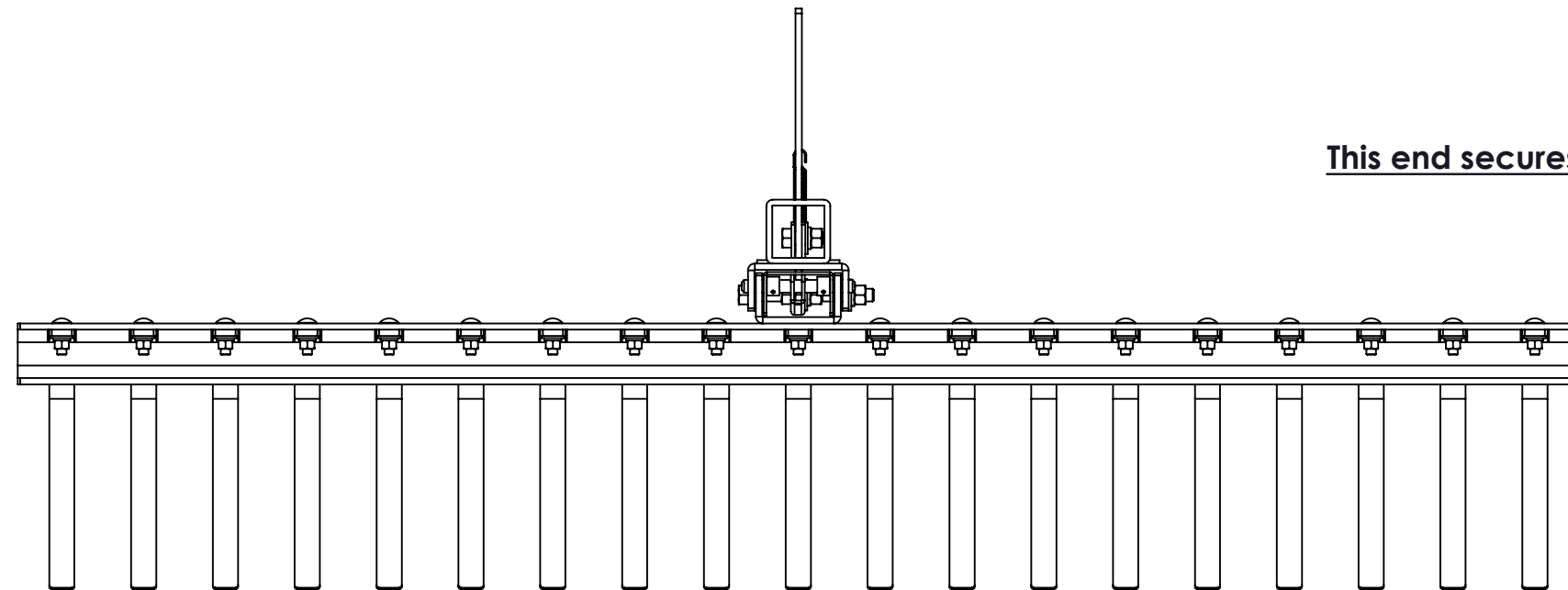
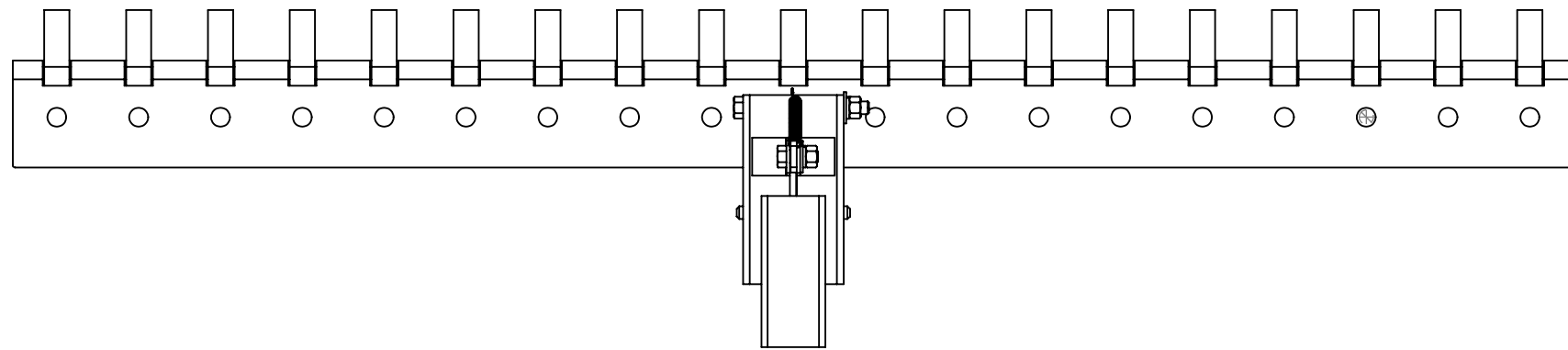
DESCRIPTION: Impact® Pro - 62" Landscape Rake w/Tip Latch

Note:

It is not recommended applying any grease or heavy lubricant to moving parts on the Landscape Rake. Grease and heavy lubricants will attract dirt and abrasive materials causing moving parts to wear.

We recommend that cleaning with pressure washer or garden hose to remove excess dirt and grim after each use.

To prevent rust afterwards apply a light coat of WD-40 and let dry.



This end secures to 1-Point Lift System

Trip Latch

Trip Spring

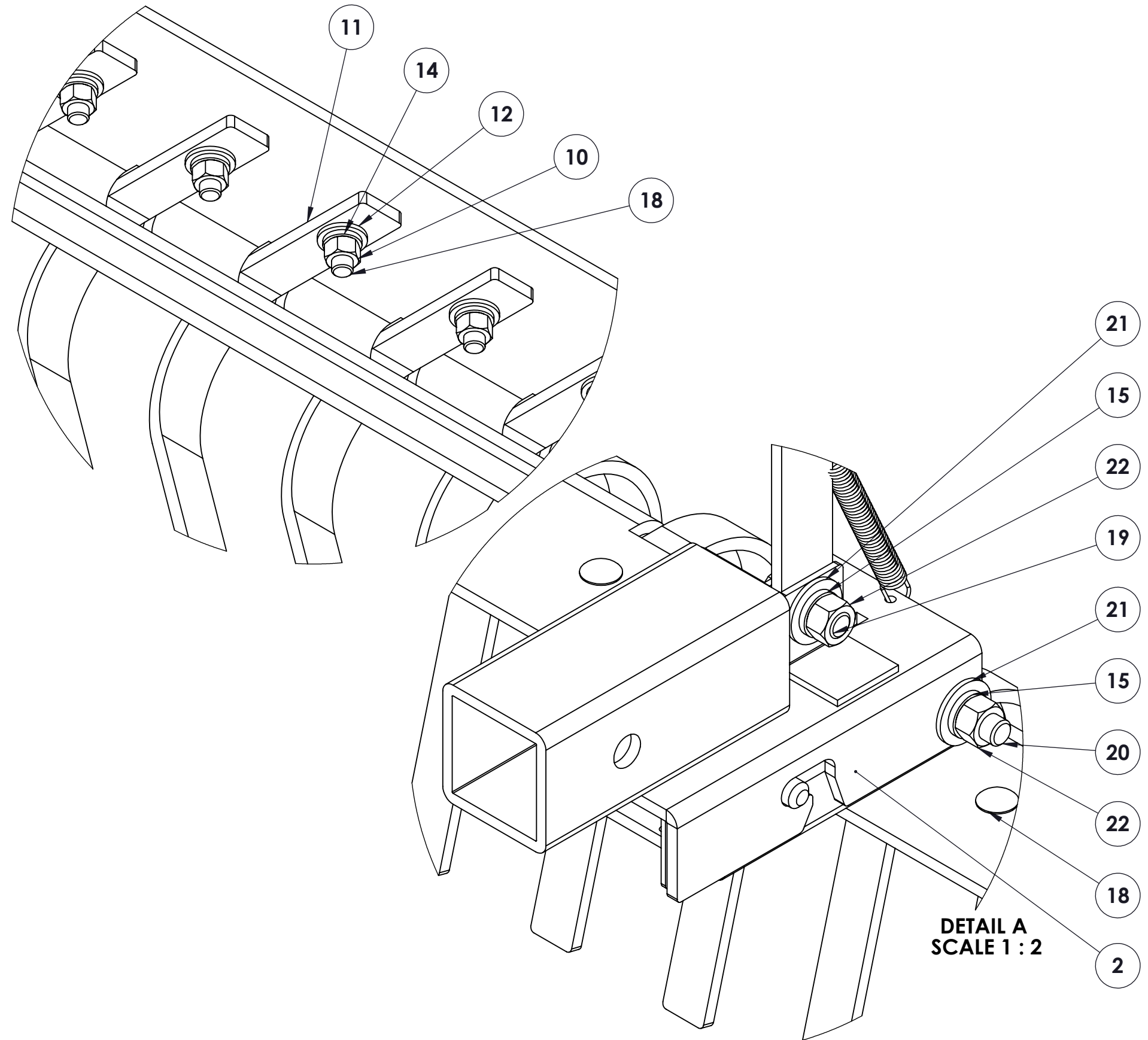
Rake Tine

Note:

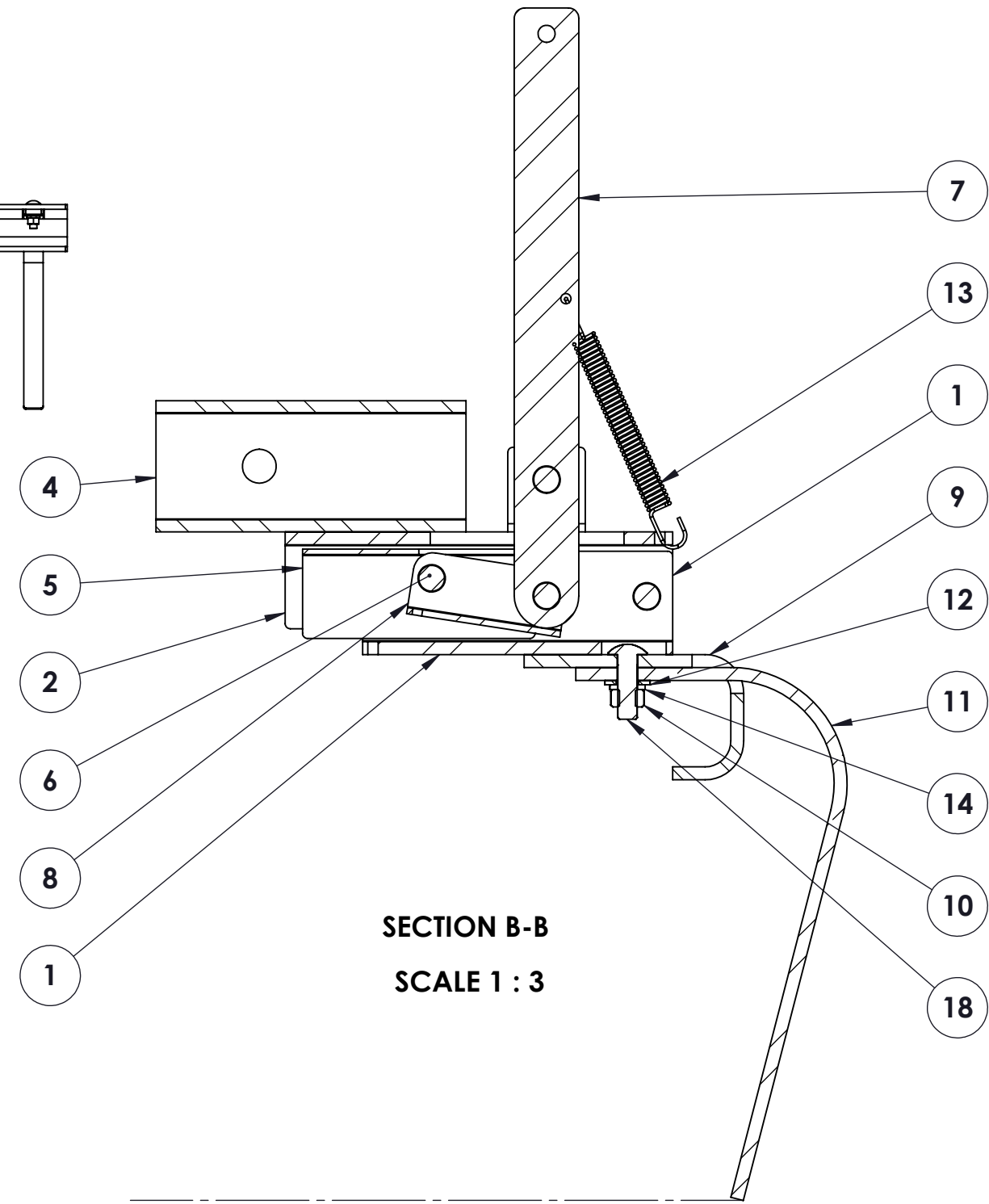
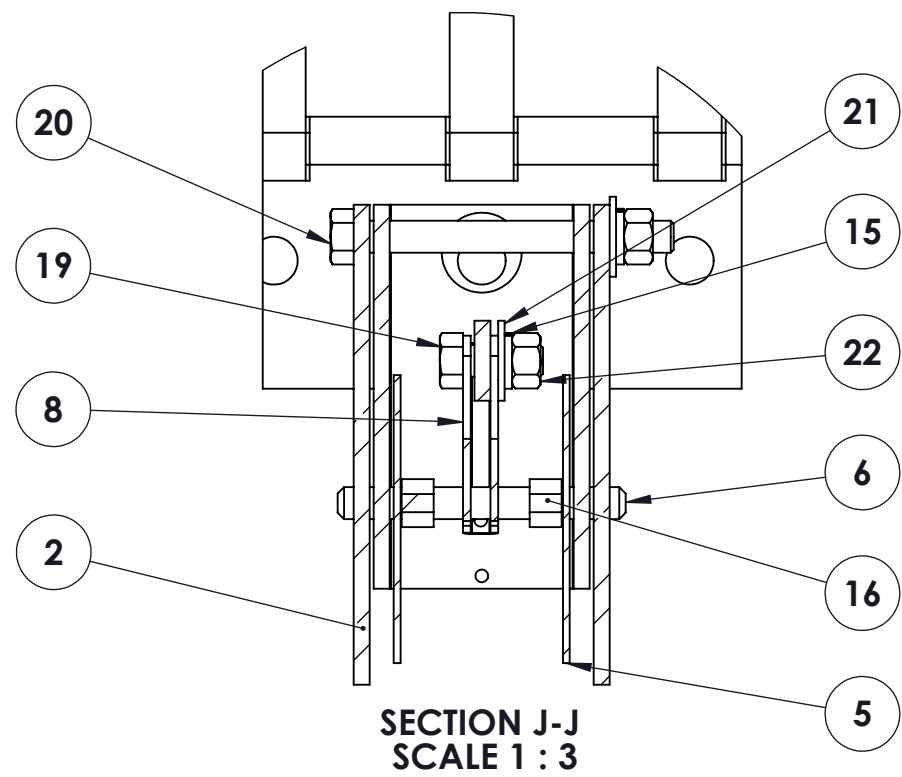
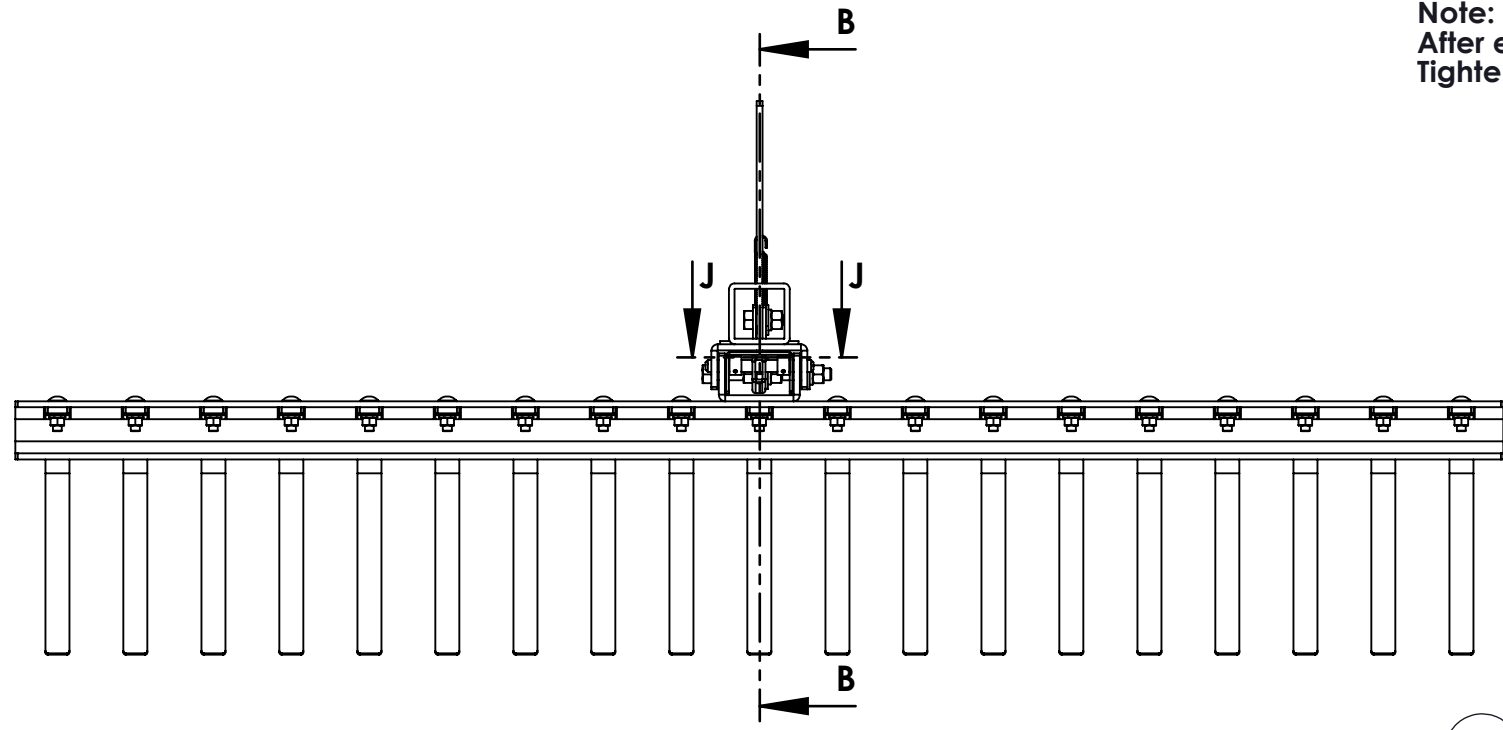
After each use check all hardware for any loose or damaged components.

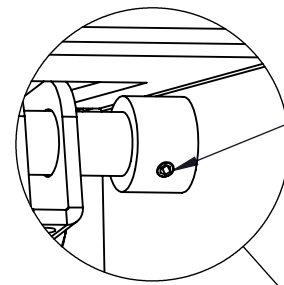
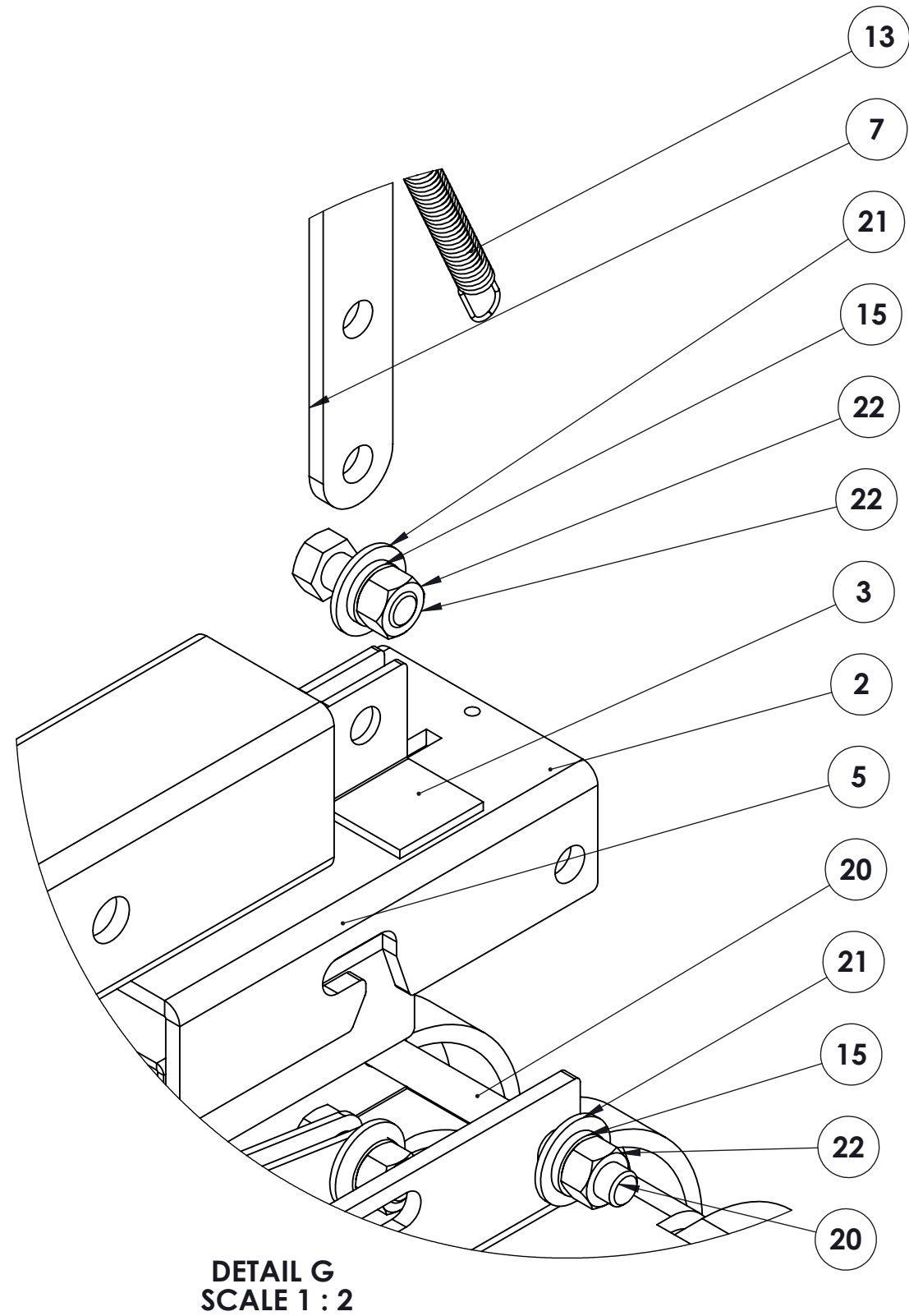
Tighten if needed, replace all worn or damaged hardware or components prior to next use.

ITEM NO.	PART NUMBER	QTY.
1	Impact Pro Rake Bottom Bracket	1
2	Impact Pro Rake Top Bracket	1
3	Impact Pro Rake Handle Pivot Bracket	2
4	Impact Pro Rake Hitch Tube	1
5	Impact Pro Rake Lock Pin Saddle	1
6	Impact Pro Rake Lock Pin	1
7	Impact Pro Rake Trip Handle	1
8	Impact Pro LSR Trip Link	1
9	Impact Pro Rake Main Tool Bar	1
10	HNUT 0.3750-16-D-N	19
11	Impact Pro LSR Spring Tine	19
12	flat washer type a selected narrow_ai	19
13	Flat Washer 0.375	1
14	Regular LW 0.375	19
15	Regular LW 0.5	3
16	Impact Pro .50 8-32 Stop collar	2
17	socket set screw flat point_ai	2
18	Impact Pro .375-16 1.25 Carriage Bolt	19
19	HBOLT 0.5000-13x1.25x1.25-N	2
20	hex bolt_ai	1
21	Regular FW 0.5	3
22	HNUT 0.5000-13-D-N	3

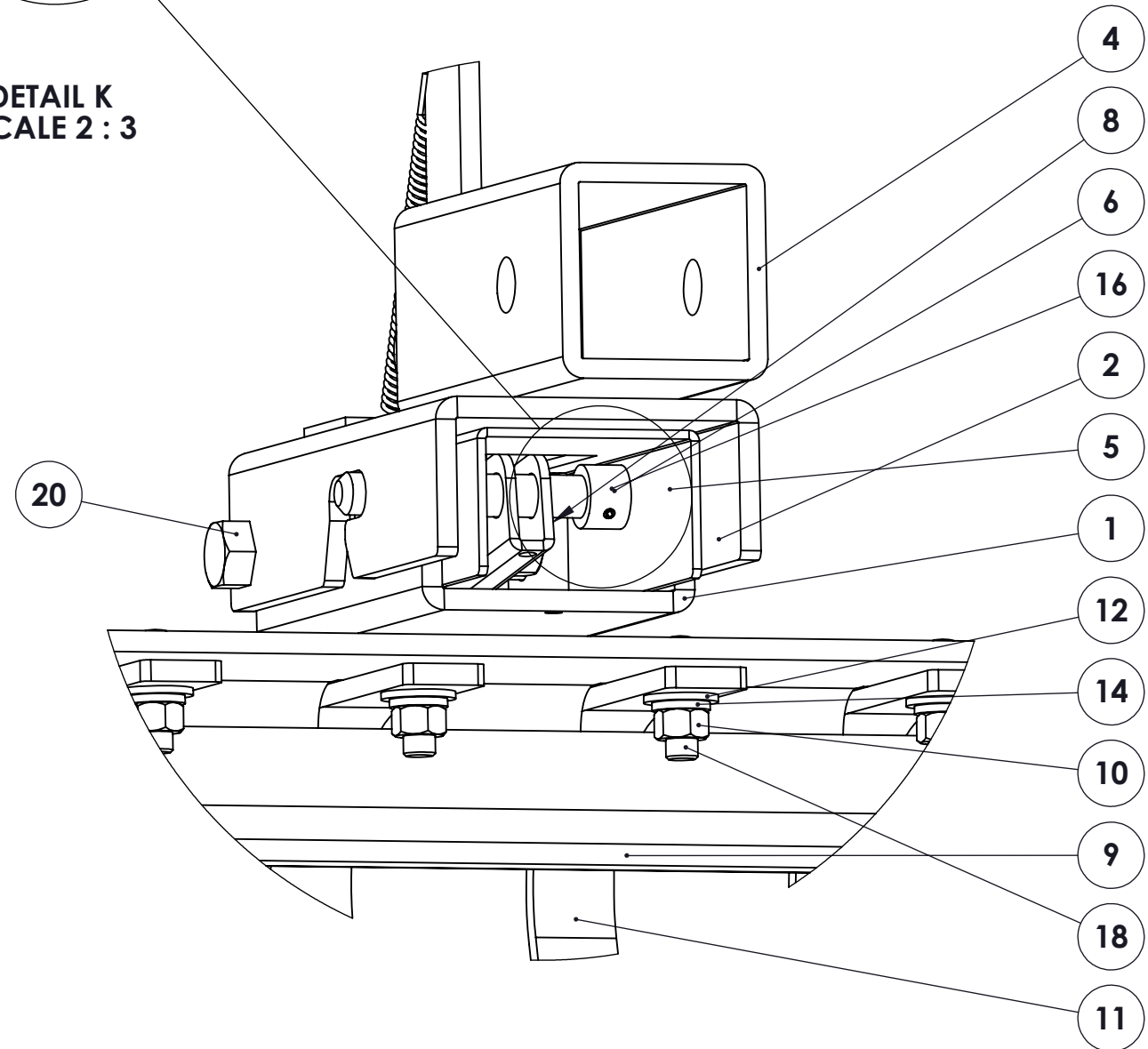


Note:
After each use check all hardware for any loose or damaged components.
Tighten if needed, replace all worn or damaged hardware or components prior to next use.





From time to time check these set screws to ensure they are tight.



Note:
After each use check all moving parts for wear or damage, replace if worn or damaged prior to next use. Failing to do so could cause injury or damage to your tow vehicle.