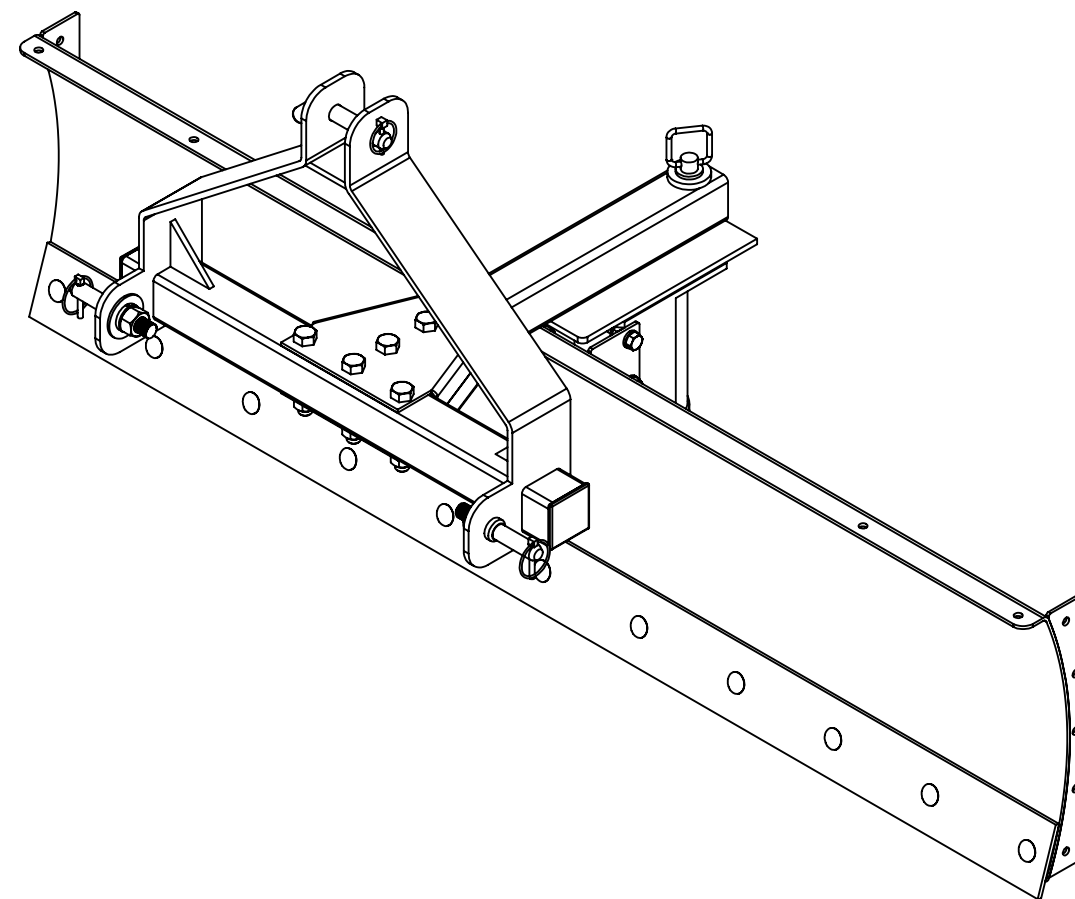


**BEFORE YOU BEGIN:**

- Please read and understand all instructions.
- Verify all parts and tools are accounted for.
- To ensure a satisfactory installation, follow all steps correctly and in the sequence described.
- All directions referring to right and left are when the rider is sitting on the machine

**INSTALLATION NOTES: TOOLS REQUIRED:**

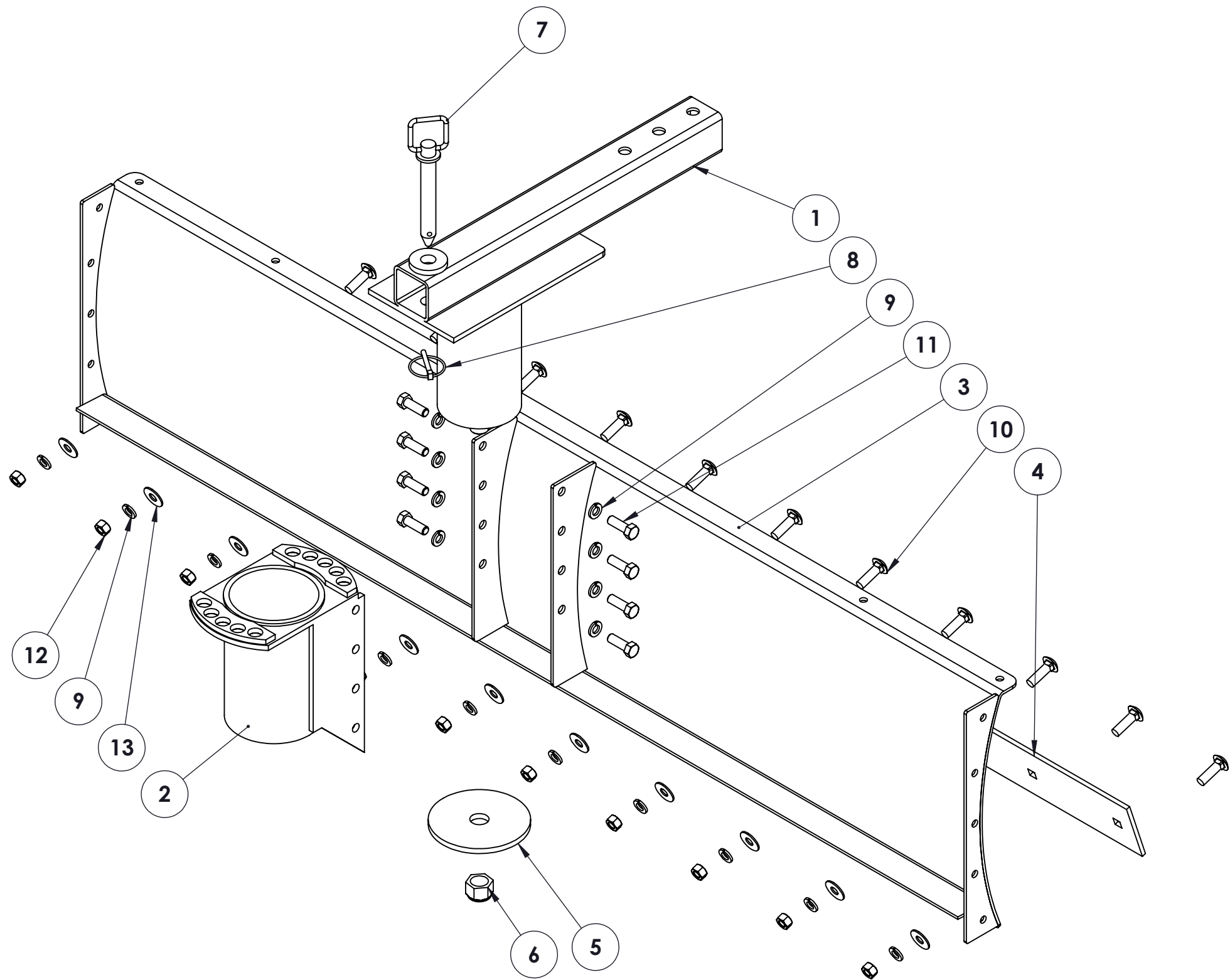
- Basic Hand Wrench and Socket Set
- Plastic Cutting Tool - for opening packaging.



**UPC 810541023112**

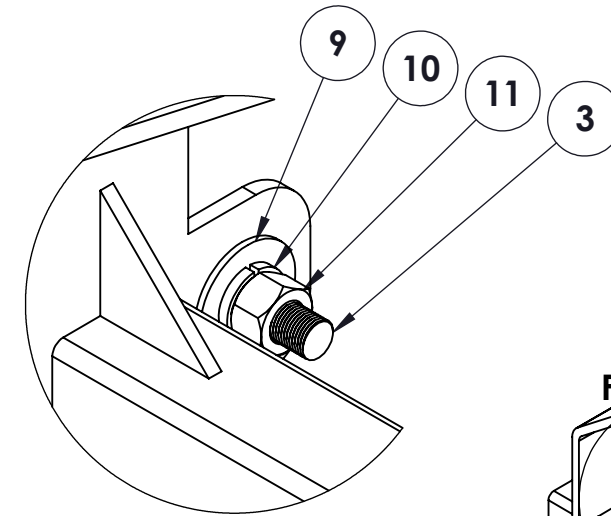
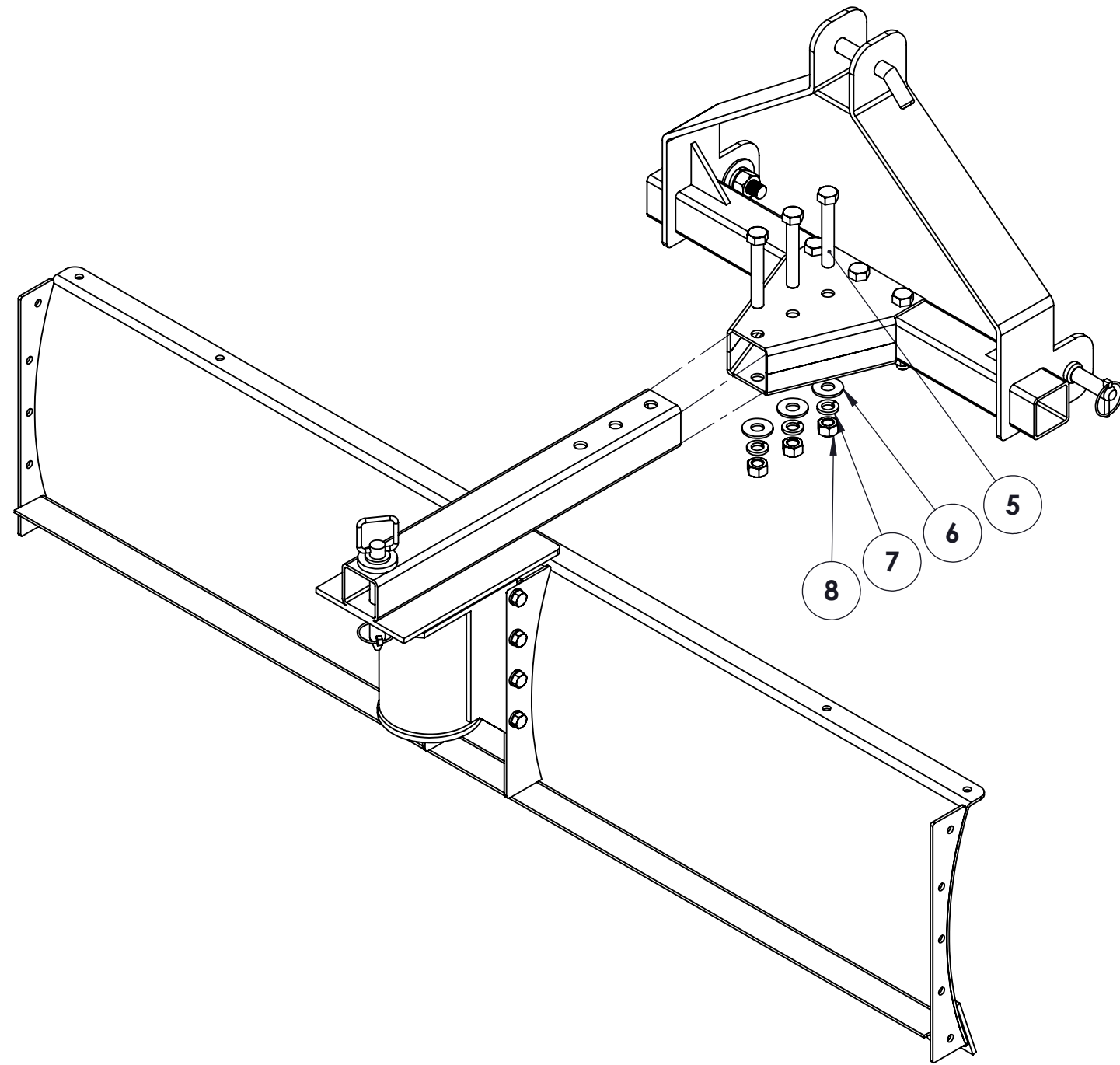
**ITEM# IP-6000**

**DESCRIPTION: Impact® 3-Point, Rear Grading Blade**



ITEM NO.	DESCRIPTION	QTY.
1	Swivel Assembly	1
2	Swivel Yoke Assembly	1
3	52" Swivel Blade Assembly	1
4	Cutting Edge	1
5	Swivel Yoke Washer	1
6	3/4-10 Nylock Nut	1
7	5/8" x 4.50" Hitch Pin	1
8	Linch Pin 5/32" Dia.	1
9	Regular LW 0.375	19
10	RHSNBOLT 0.375-16x1.25x1.25-N	11
11	HBOLT 0.3750-16x1.125x1-N	8
12	HNUT 0.3750-16-D-N	11
13	Regular FW 0.375	11

ITEM NO.	DESCRIPTION	Default/QTY.
1	Tool Bar Main Weldment	1
2	Tool Bar Hitch Tube Weldment	1
3	Cat 0 Draw Pin	2
4	Linch Pin 5/32" Dia.	2
5	HBOLT 0.5000-13x3.25x1.25-N	6
6	Regular FW 0.5	6
7	Regular LW 0.5	6
8	HNUT 0.5000-13-D-N	6
9	Regular FW 0.625	2
10	Regular LW 0.625	2
11	HNUT 0.6250-18-D-N	2
12	5/8" Bent Hitch Pin / Snap Clip	1



DETAIL F  
SCALE 2 : 5

