

**BEFORE YOU BEGIN:**

- Please read and understand all instructions.
- Verify all parts and tools are accounted for.
- To ensure a satisfactory installation, follow all steps correctly and in the sequence described.
- All directions referring to right and left are when the rider is sitting on the machine

**INSTALLATION NOTES: TOOLS REQUIRED:**

- Basic Hand Wrench and Socket Set
- Plastic Cutting Tool - for opening packaging.

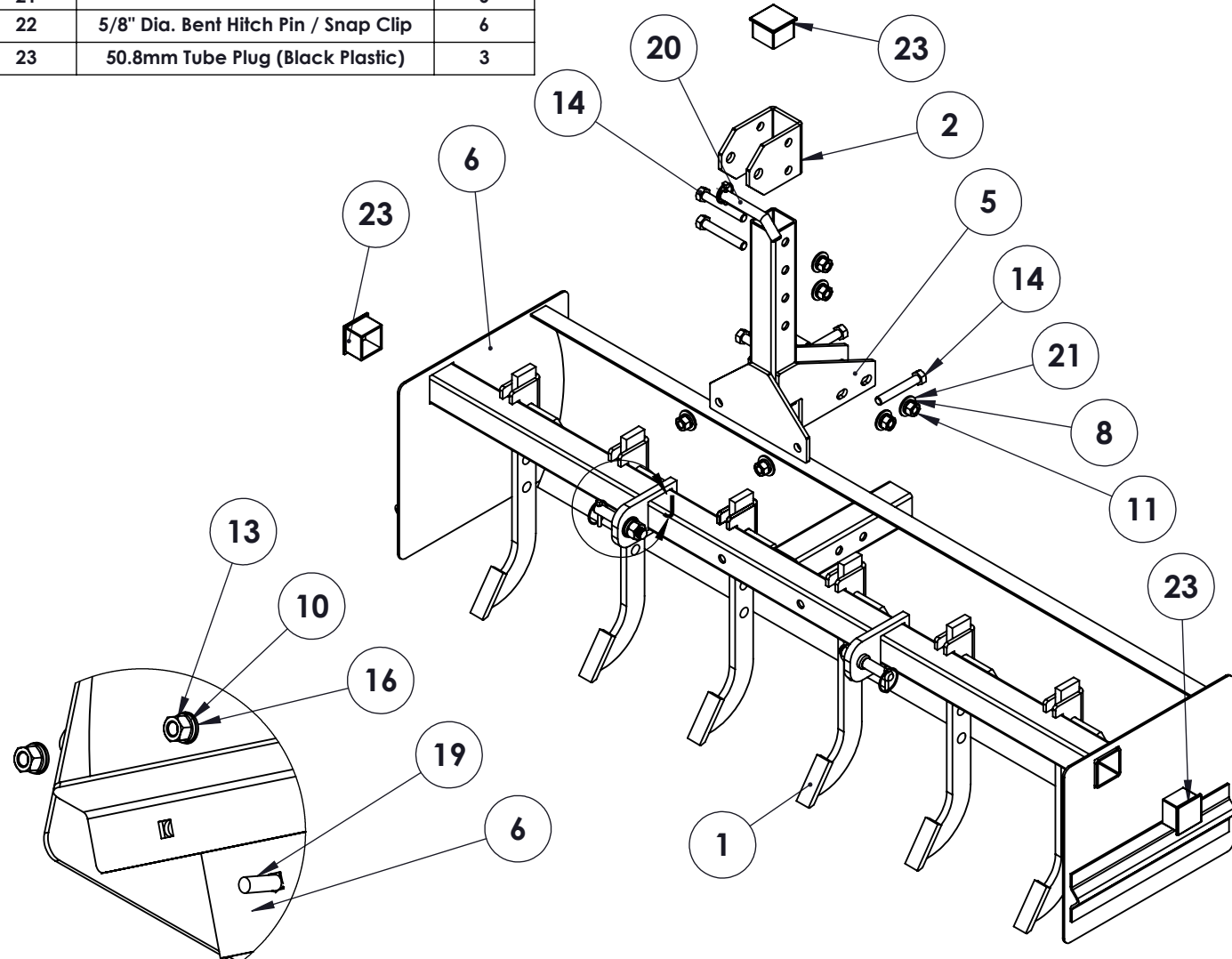
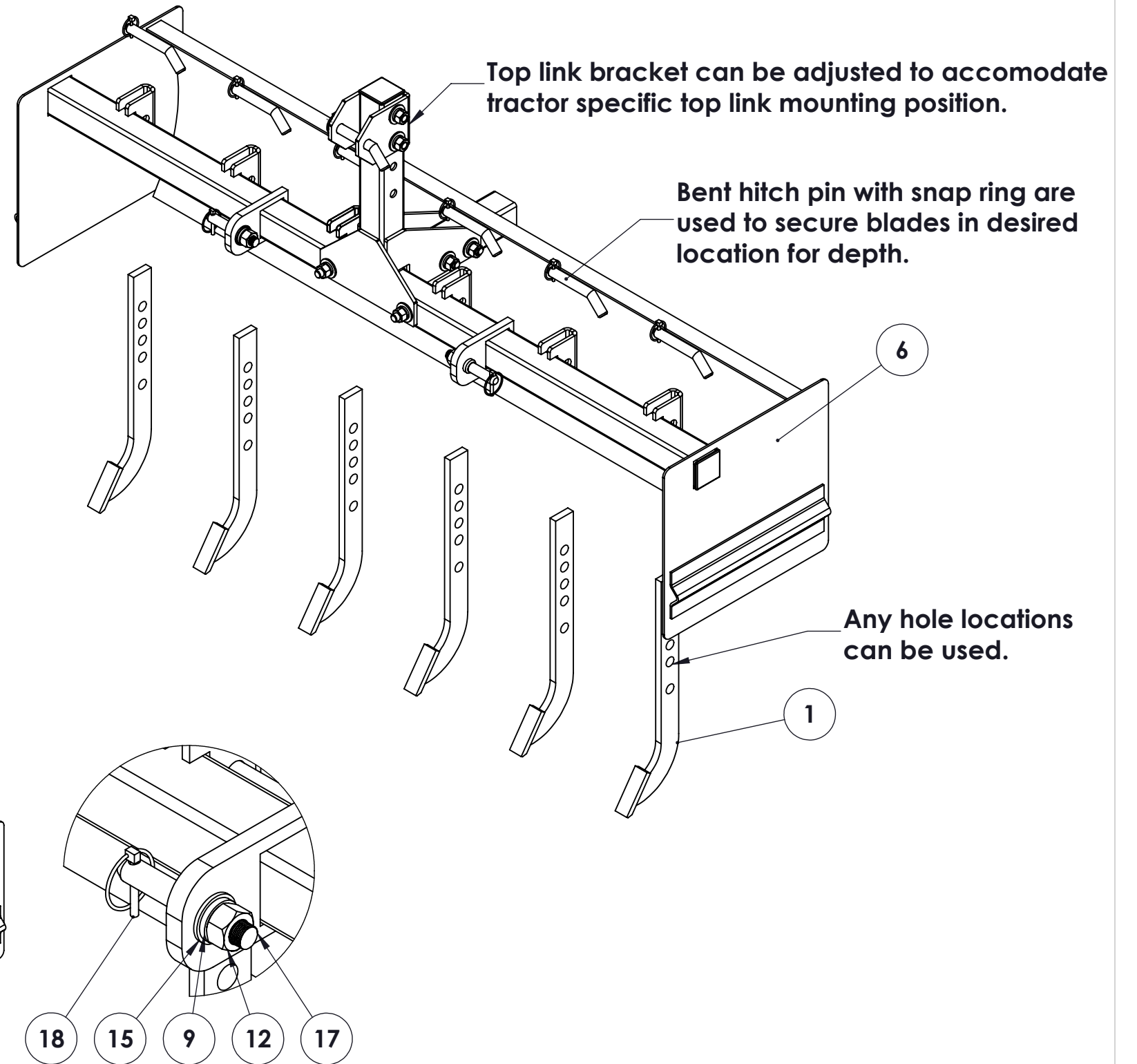
**UPC 810541023129**

**ITEM# IP-6001**

**DESCRIPTION: Impact® 3-Point, Box Scraper**

bb	DESCRIPTION	QTY.
1	Scarifier (Ship Loose)	6
2	Top Link Bracket (Ships Loose)	1
3	Cutting Edge (Ship Loose)	1
4	Scarifier Bracket	12
5	3-point Vert Tube Assembly (Ship Loose)	1
6	Main Box Scraper Assembly	1
7	Back Blade Bar (Welded to NLSBS101)	1
8	Regular LW 0.5	6
9	Regular LW 0.625	2
10	Regular LW 0.375	11
11	HNUT 0.5000-13-D-N	6
12	HNUT 0.6250-18-D-N	2
13	HNUT 0.3750-16-D-N	11
14	HBOLT 0.5000-13x3.25x1.25-N	6
15	Narrow FW 0.625	2
16	Narrow FW 0.375	11
17	Cat 0 Draw Pin	2
18	Linch Pin 5/32" Dia.	2
19	Carriage Bolt	11
20	5/8" Bent Hitch Pin / Snap Clip	1
21		6
22	5/8" Dia. Bent Hitch Pin / Snap Clip	6
23	50.8mm Tube Plug (Black Plastic)	3

Box Blade Scarifier's are not required to be installed for all operations. For general dirt moving they can be removed.



**Cutting Assembly Detail**