

BEFORE YOU BEGIN:

- Please read and understand all instructions.
- Verify all parts and tools are accounted for.
- To ensure a satisfactory installation, follow all steps correctly and in the sequence described.
- All directions referring to right and left are when the rider is sitting on the machine

INSTALLATION NOTES: TOOLS REQUIRED:

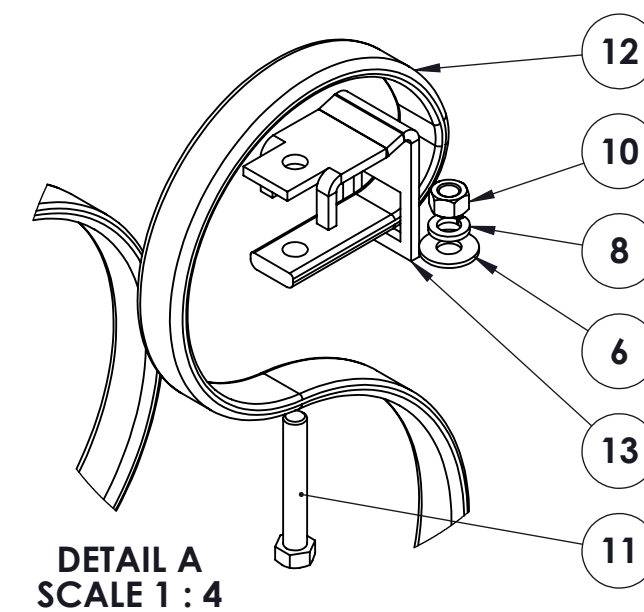
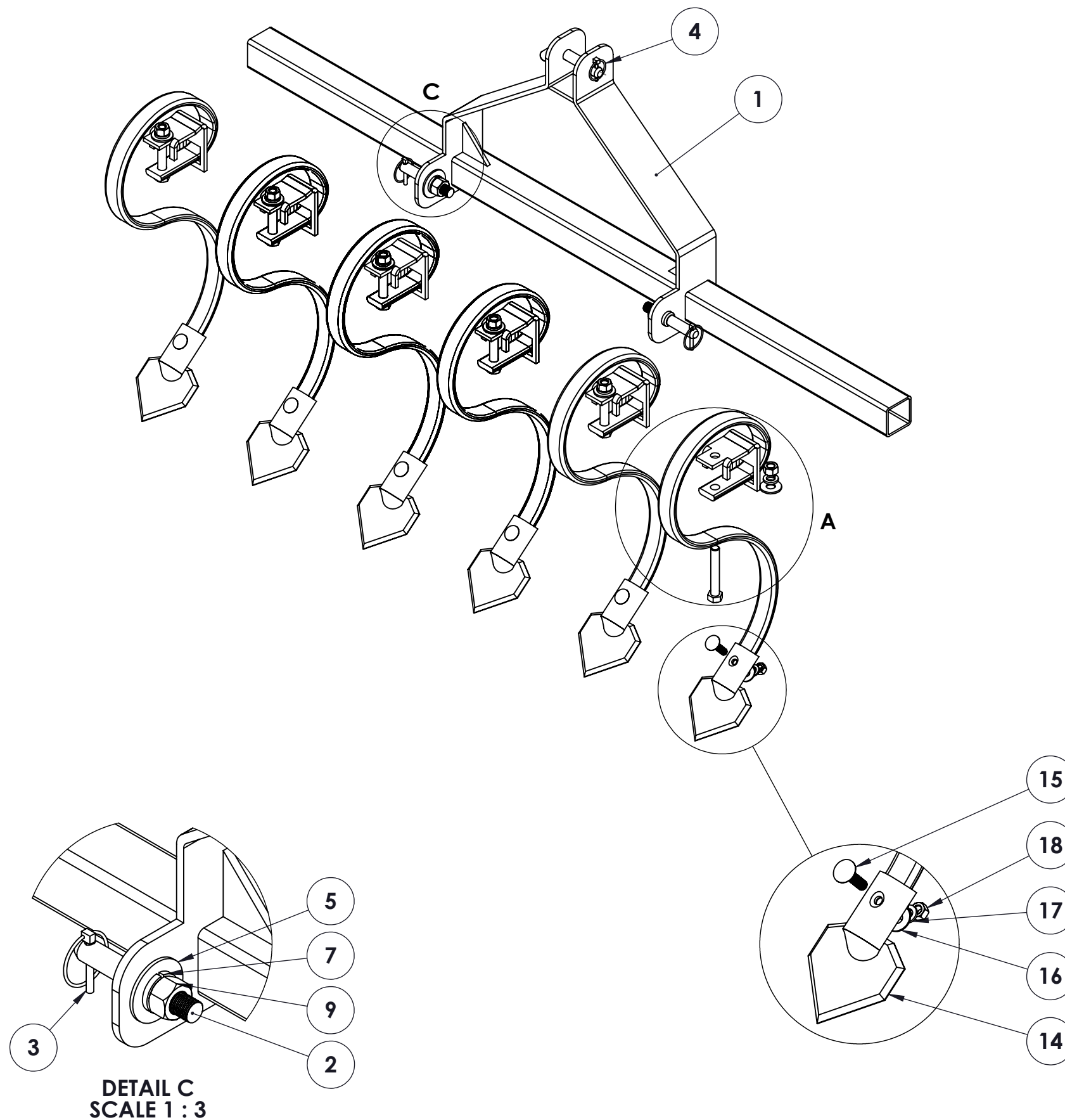
- Basic Hand Wrench and Socket Set
- Plastic Cutting Tool - for opening packaging.

UPC 810541023150

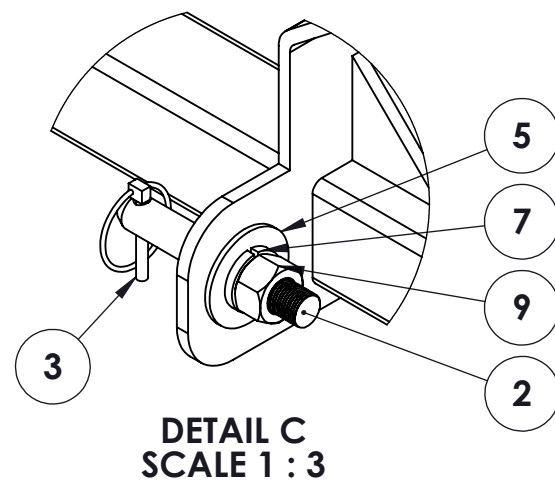
ITEM# IP-6003

DESCRIPTION: Impact® 3-Point, Cultivator

ITEM NO.	DESCRIPTION	QTY.
1	Tool Bar Main Weldment	1
2	Cat 0 Draw Pin	2
3	Linch Pin 5/32" Dia.	2
4	5/8" Bent Hitch Pin / Snap Clip	1
5	Regular FW 0.625	2
6	Regular FW 0.5	12
7	Regular LW 0.625	2
8	Regular LW 0.5	12
9	HNUT 0.6250-18-D-N	2
10	HNUT 0.5000-13-D-N	12
11	HBOLT 0.5000-13x3.25x1.25-N	12
12	S-Tine 14"	12
13	S-Tine Clamp 2"	12
14	Cutting Edge	6
15	Plow Bolt 0.375-16x1.75	6
16	Regular FW 0.375	6
17	Regular LW 0.375	6
18	HNUT 0.3750-16-D-N	6



DETAIL A
SCALE 1 : 4



DETAIL C
SCALE 1 : 3