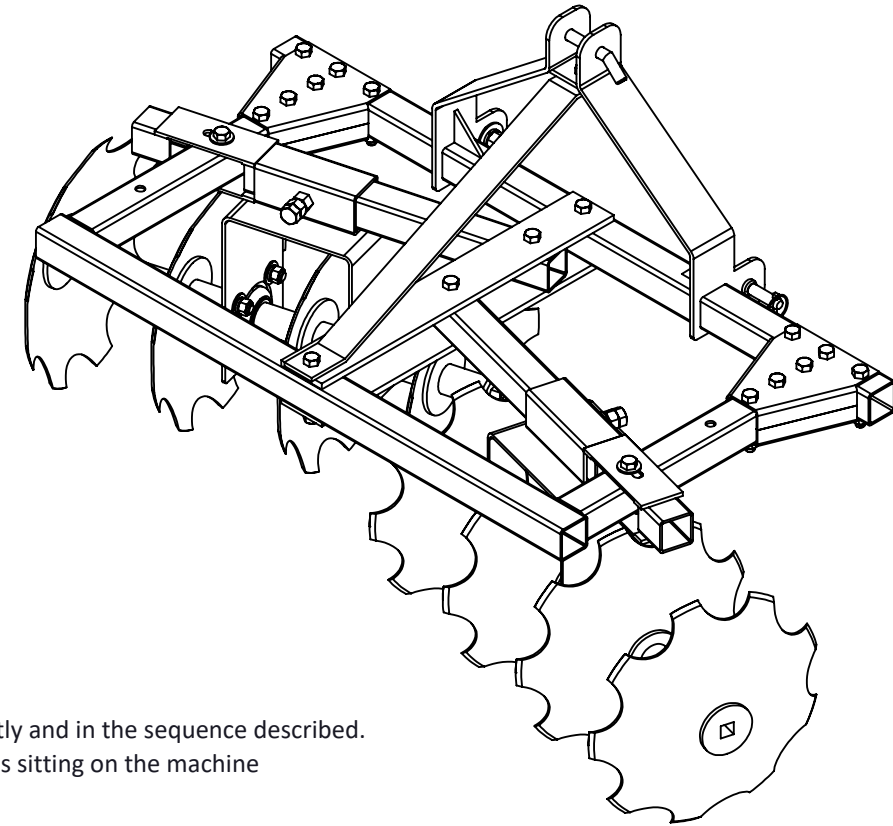


BEFORE YOU BEGIN:

- Please read and understand all instructions.
- Verify all parts and tools are accounted for.
- To ensure a satisfactory installation, follow all steps correctly and in the sequence described.
- All directions referring to right and left are when the rider is sitting on the machine

INSTALLATION NOTES: TOOLS REQUIRED:

- Basic Hand Wrench and Socket Set
- Plastic Cutting Tool - for opening packaging.

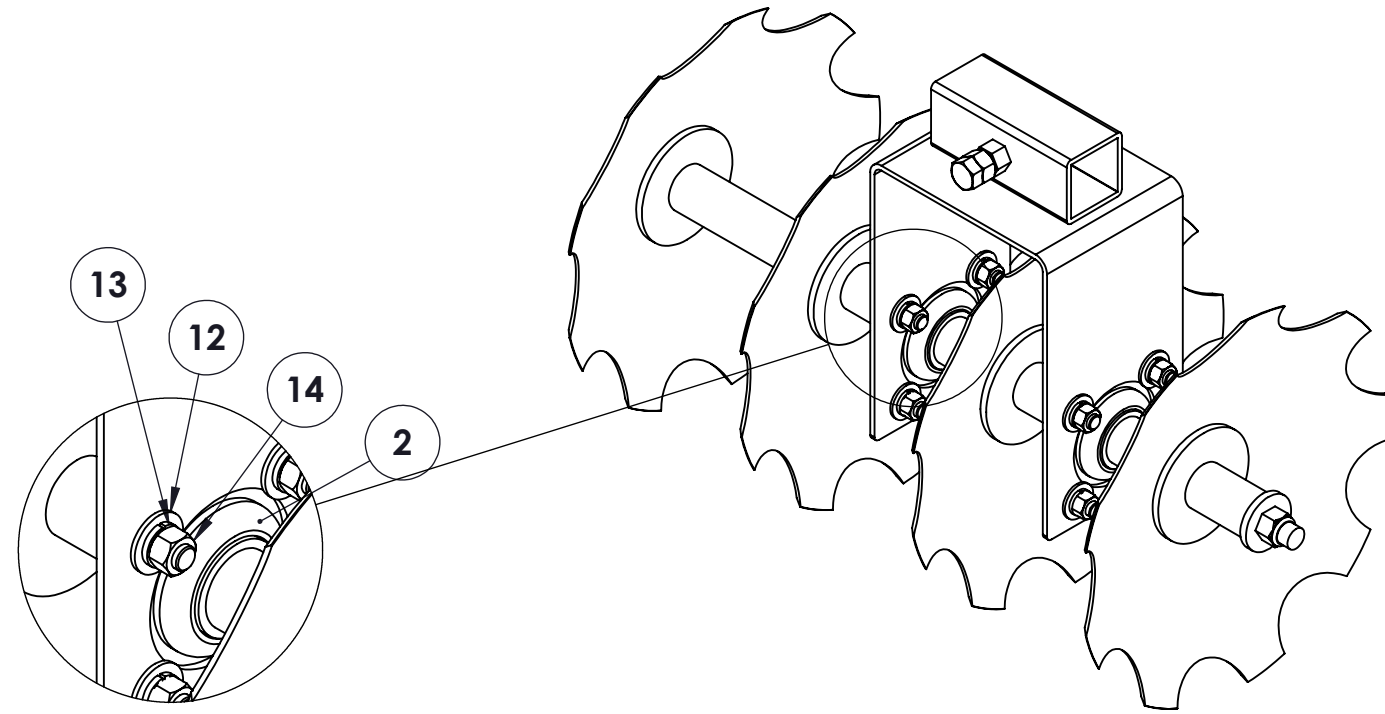


UPC Box-1 810541023167 / Box-2 810541023174

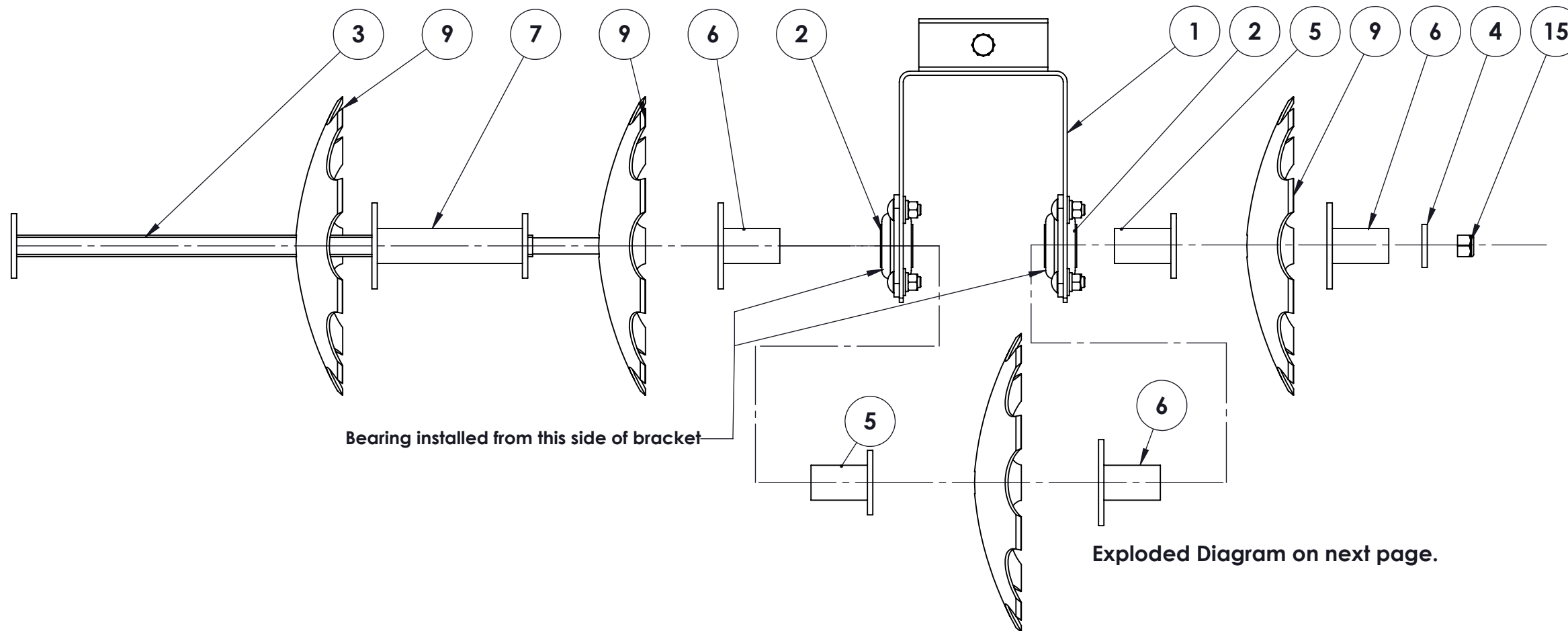
ITEM# IP-6004

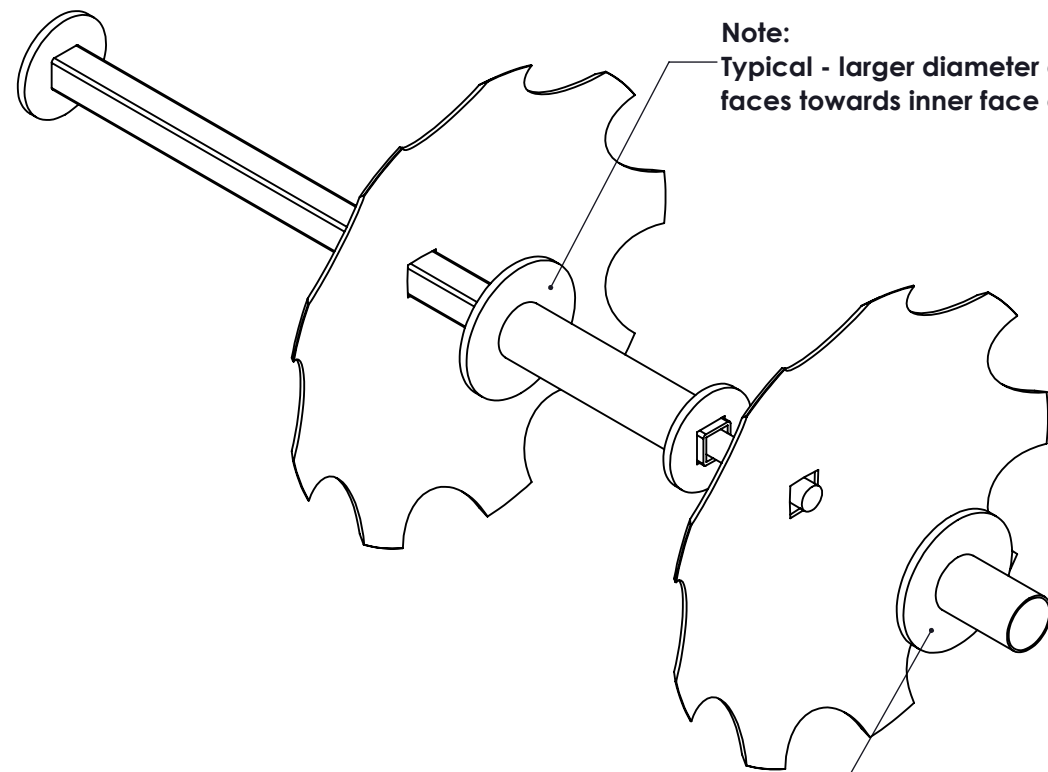
DESCRIPTION: Impact® 3-Point, Disc Plow

ITEM NO.	DESCRIPTION	Default/QTY.
1	Bearing Carrier Bracket	1
2	Flange Bearing	2
3	Disc Axle	1
4	Axle Washer	1
5	Yoke A	2
6	Yoke B	3
7	Yoke C	1
8	Disc Hitch Tube	1
9	14" Dia. Disk	4
10	1/2-13 x 1.25" Carriage Bolt	8
12	Regular FW 0.5	7
13	Regular LW 0.5	8
14	HNUT 0.5000-13-D-N	8
15	3/4-10 Nylock Nut	1
16	HNUT 0.6250-11-D-N	1
17	HBOLT 0.6250-11x1.75x1.5-C	1



Qty (2) of the above required

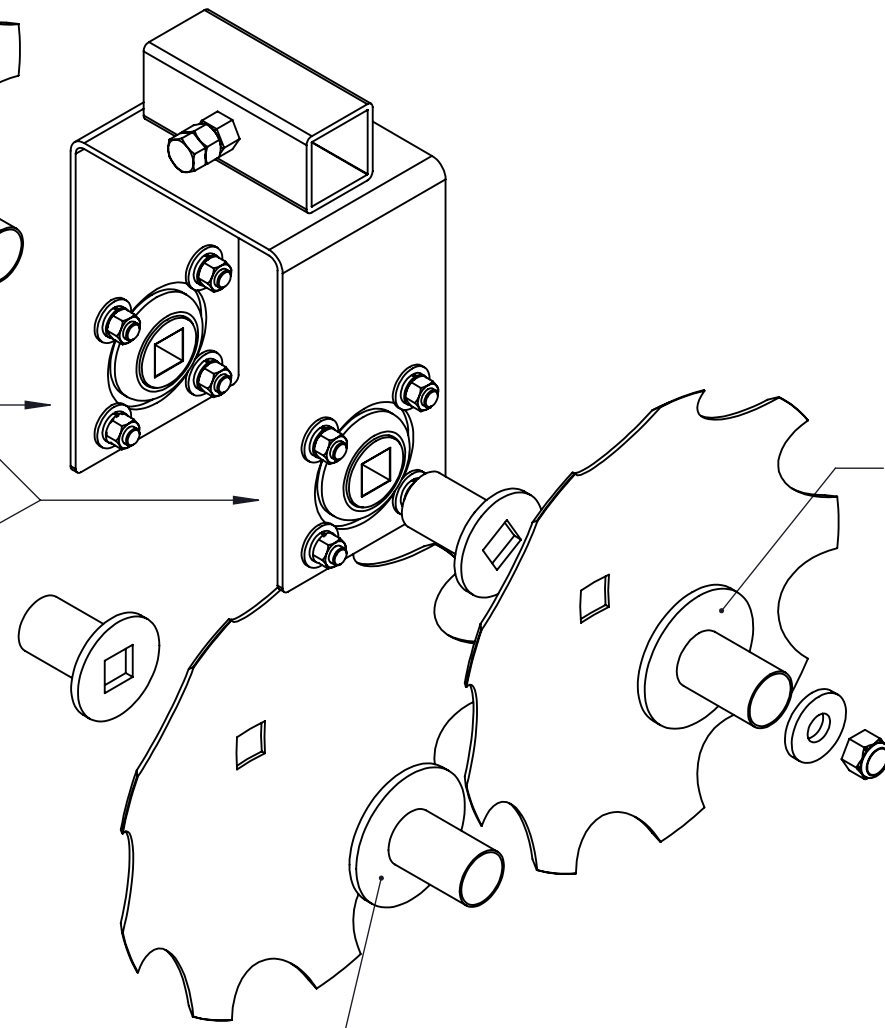




Note:
Typical - larger diameter end of spool
faces towards inner face of disc

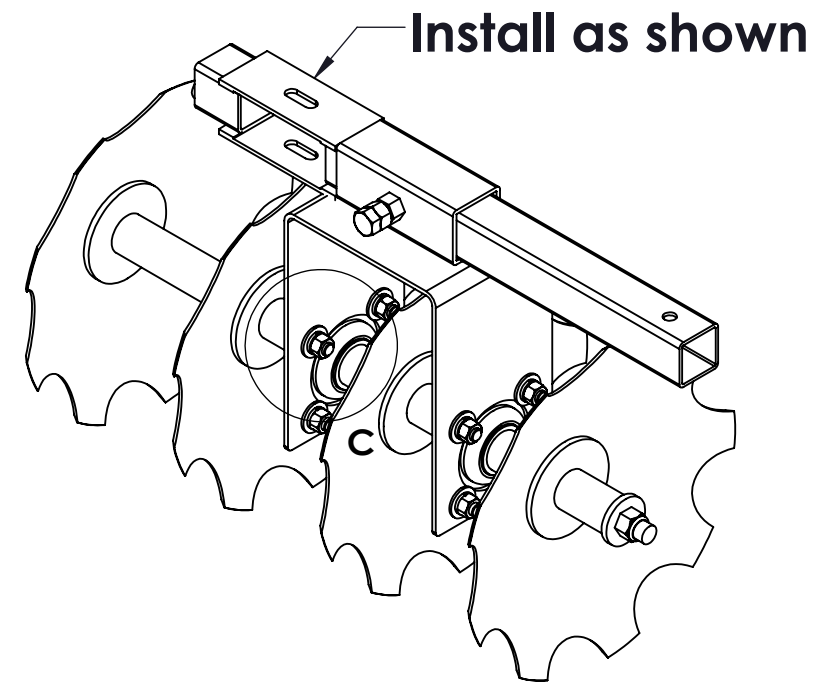
See Note:

Bearing installed from this side of bracket



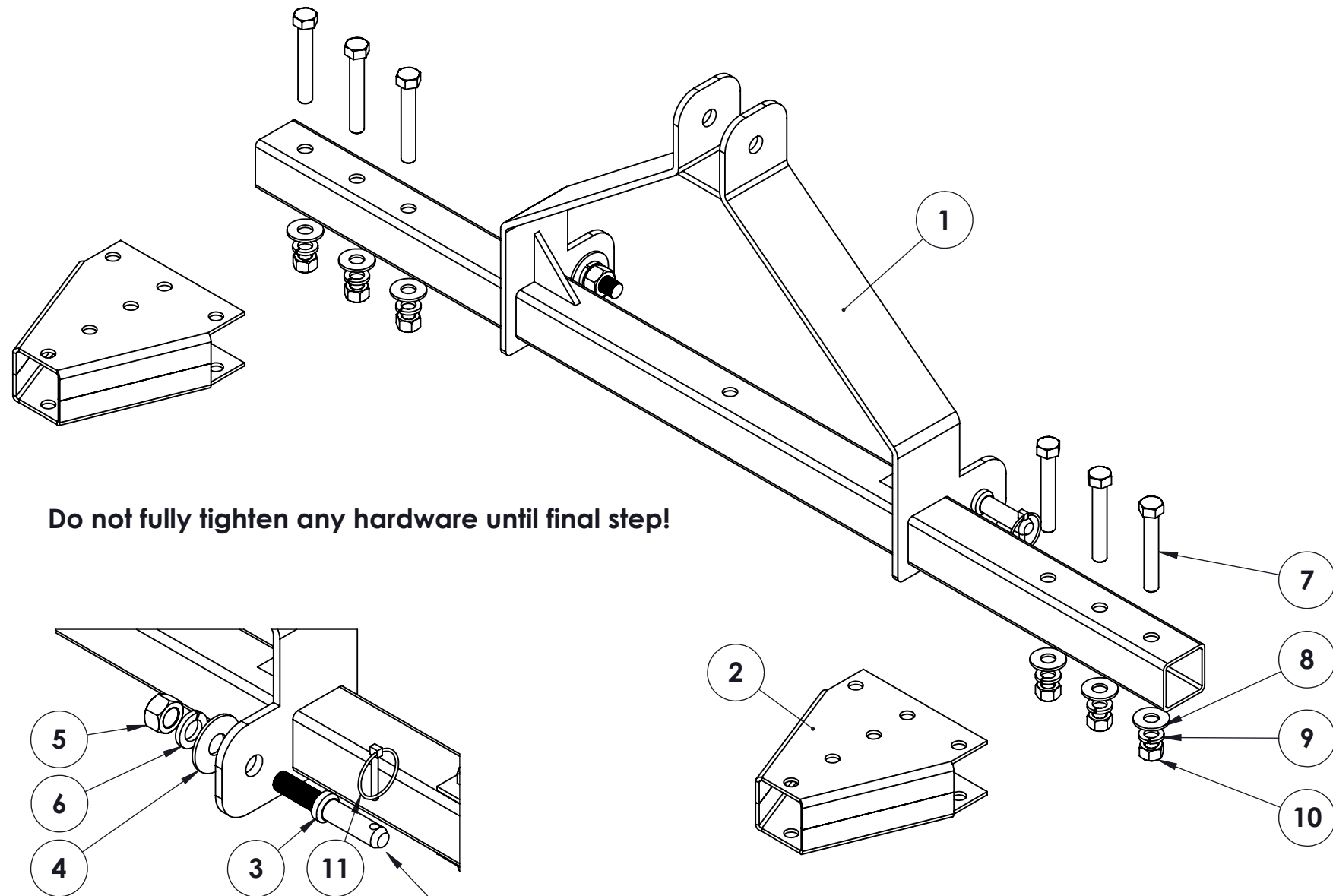
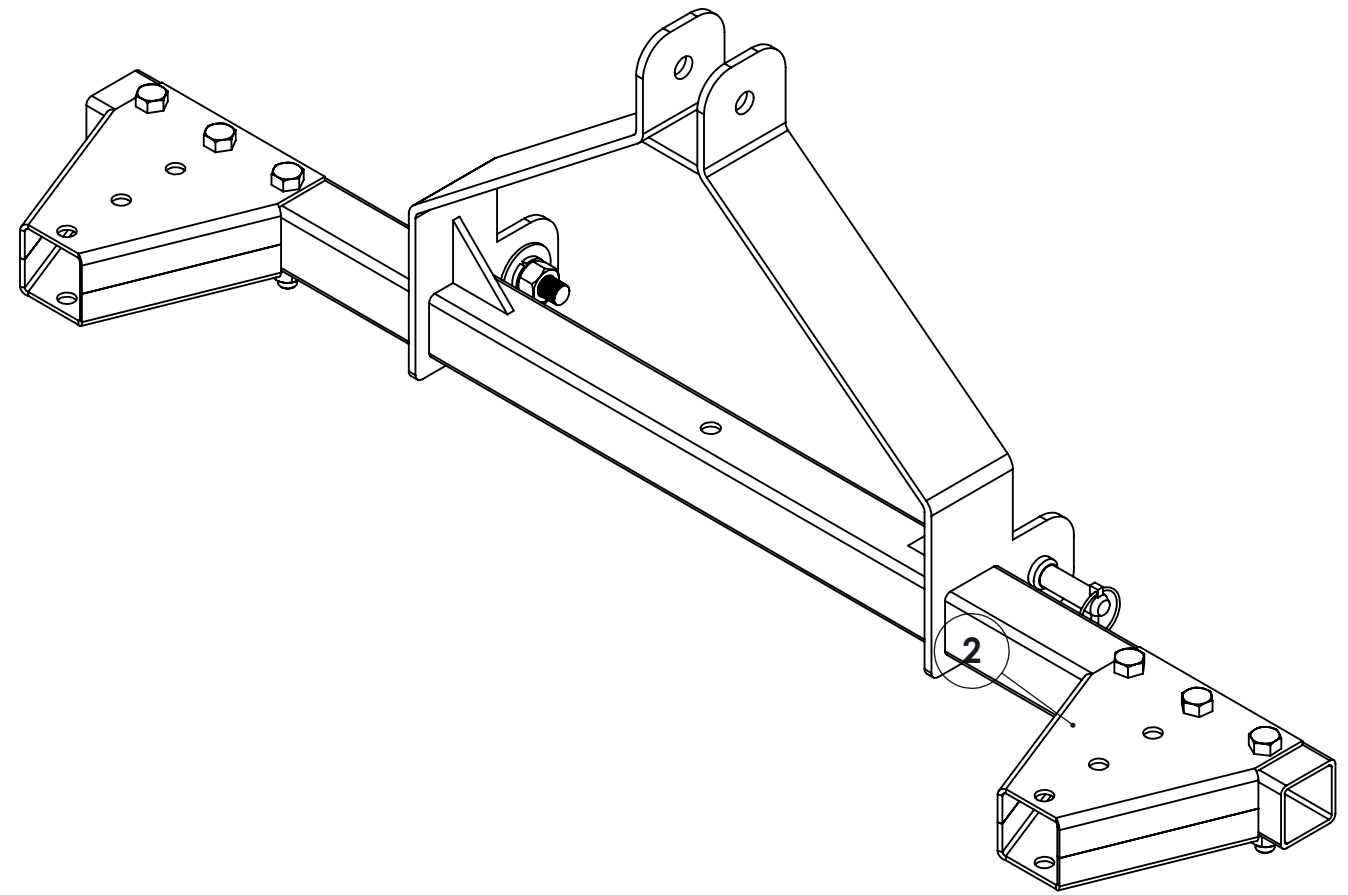
See Note:

See Note:

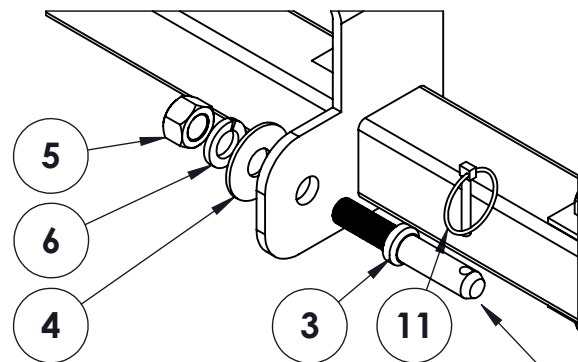


Install as shown

ITEM NO.	DESCRIPTION	QTY.
1	Tool Bar	1
2	Tool Bar Hitch Bracket Assembly	2
3	Cat 0 Draw Pin	2
4	Regular FW 0.625	2
5	HNUT 0.6250-18-D-N	2
6	Regular LW 0.625	2
7	HBOLT 0.5000-13x3.25x1.25-N	6
8	Regular FW 0.5	6
9	Regular LW 0.5	6
10	HNUT 0.5000-13-D-N	6
11	Linch Pin 5/32" Dia.	2



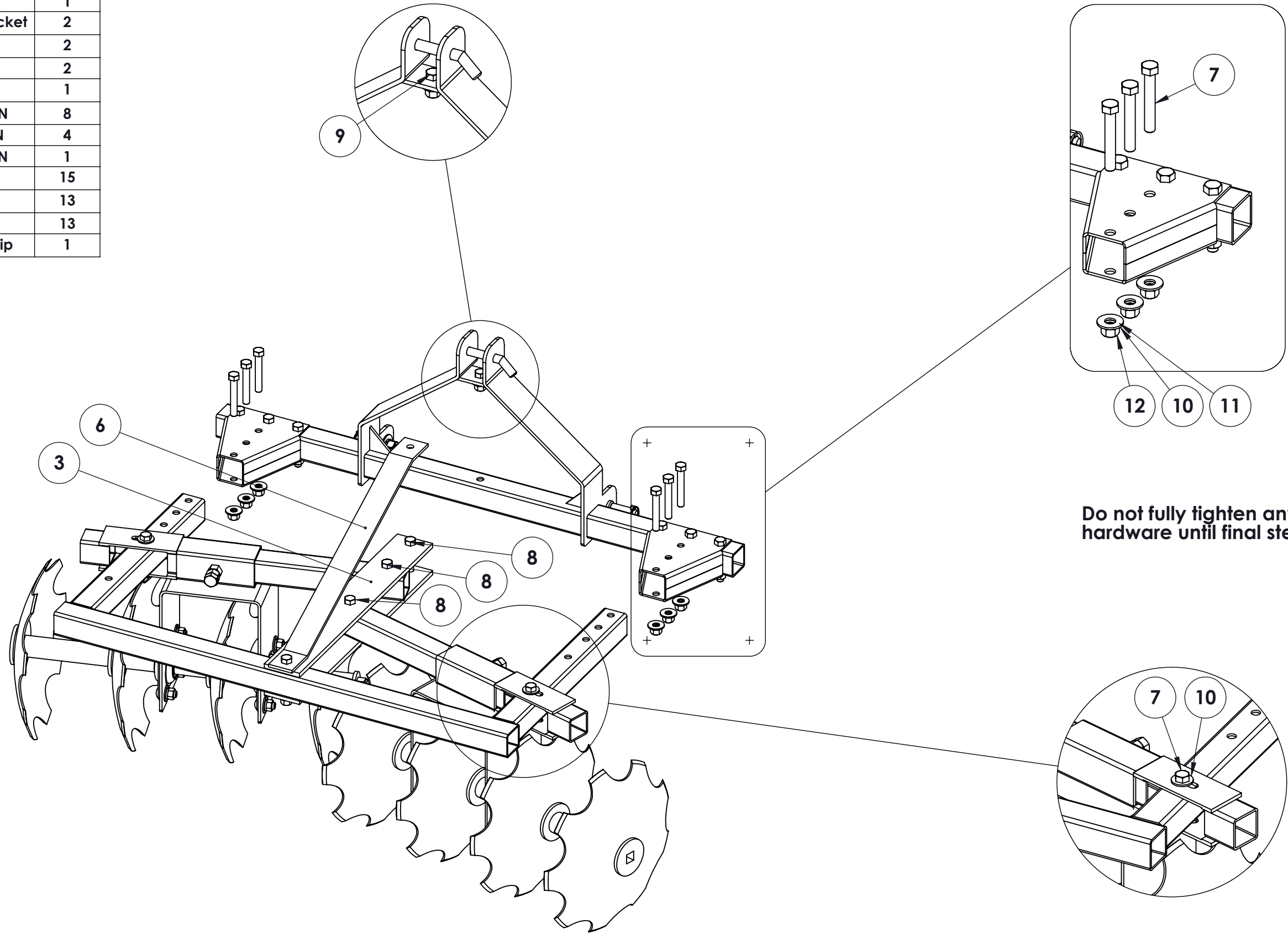
Do not fully tighten any hardware until final step!



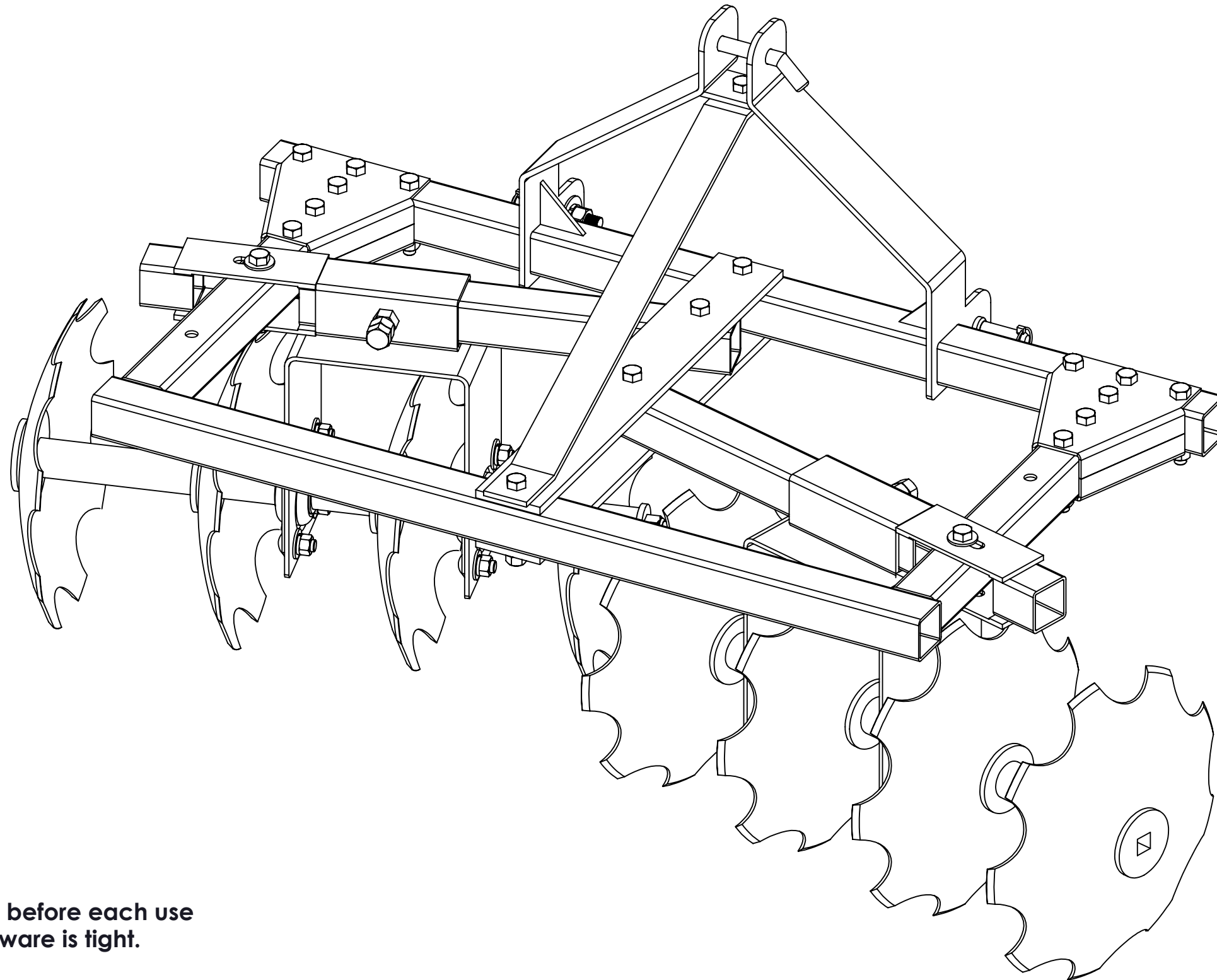
Note Hole Points Upward

ITEM NO.	DESCRIPTION	QTY.
1	3-Point Hitch Disc Tool Bar	1
2	Disc Plow Main Frame	1
3	Disc Plow - Angle Support Bracket	2
4	Disc Plow Adjustable Bar	2
5	Disc Plow Half Section	2
6	Disc Plow Support Arm	1
7	HBOLT 0.5000-13x3.25x1.25-N	8
8	HBOLT 0.5000-13x3.5x1.25-N	4
9	HBOLT 0.5000-13x1.25x1.25-N	1
10	Regular FW 0.5	15
11	Regular LW 0.5	13
12	HNUT 0.5000-13-D-N	13
13	5/8" Bent Hitch Pin / Snap Clip	1

Note:
Secure all Bolts with
- Flat Washer
- Lock Washer
- Hex Nut



Tighten all hardware at this time.



**Please Note:
After initial use and before each use
check that all hardware is tight.**

***** Replace any worn or broken components if needed *****