

BEFORE YOU BEGIN:

- Please read and understand all instructions.
- Verify all parts and tools are accounted for.
- To ensure a satisfactory installation, follow all steps correctly and in the sequence described.
- All directions referring to right and left are when the rider is sitting on the machine

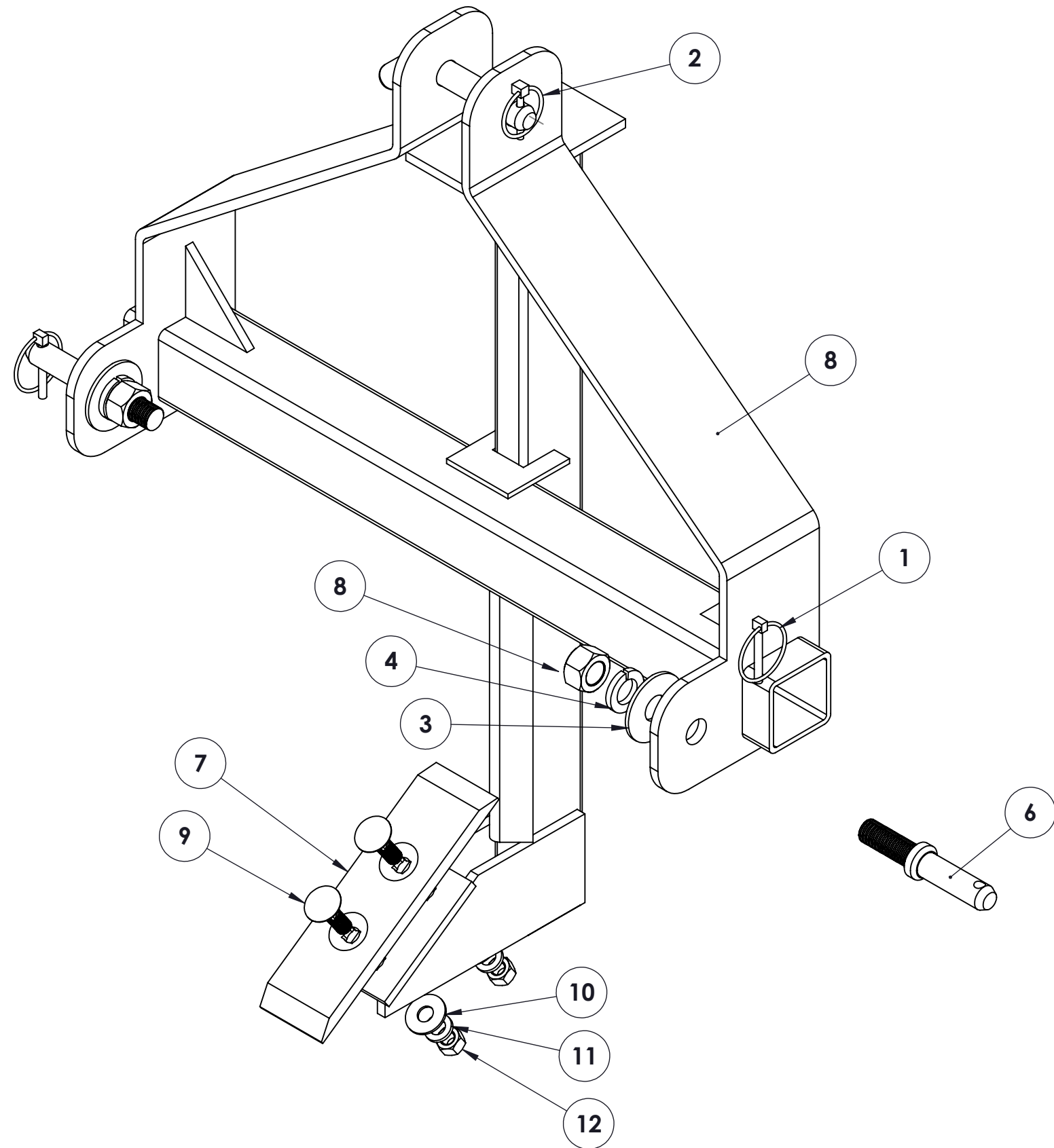
INSTALLATION NOTES: TOOLS REQUIRED:

- Basic Hand Wrench and Socket Set
- Plastic Cutting Tool - for opening packaging.

UPC 810541023198

ITEM# IP-6006

DESCRIPTION: Impact® 3-Point, Middle Buster



| ITEM NO. | DESCRIPTION | QTY. |
|----------|---------------------------------|------|
| 1 | Linch Pin 5/32" Dia. | 2 |
| 2 | 5/8" Bent Hitch Pin / Lynch Pin | 1 |
| 3 | Regular FW 0.625 | 2 |
| 4 | Regular LW 0.625 | 2 |
| 5 | HNUT 0.6250-18-D-N | 2 |
| 6 | Cat 0 Draw Pin | 2 |
| 7 | Cutting Edge | 1 |
| 8 | Middle Buster Tool Bar | 1 |
| 9 | Plow Bolt | 2 |
| 10 | Regular FW 0.375 | 2 |
| 11 | Regular LW 0.375 | 2 |
| 12 | HNUT 0.3750-16-D-N | 2 |