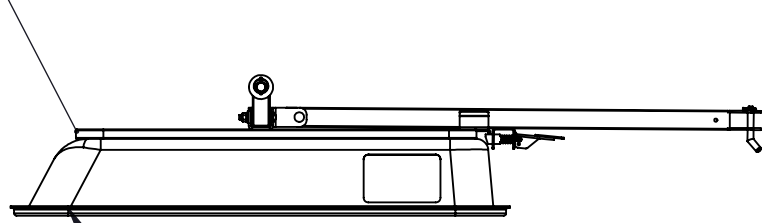


UPC
MODEL #
DESCRIPTION: Impact Trailer 100

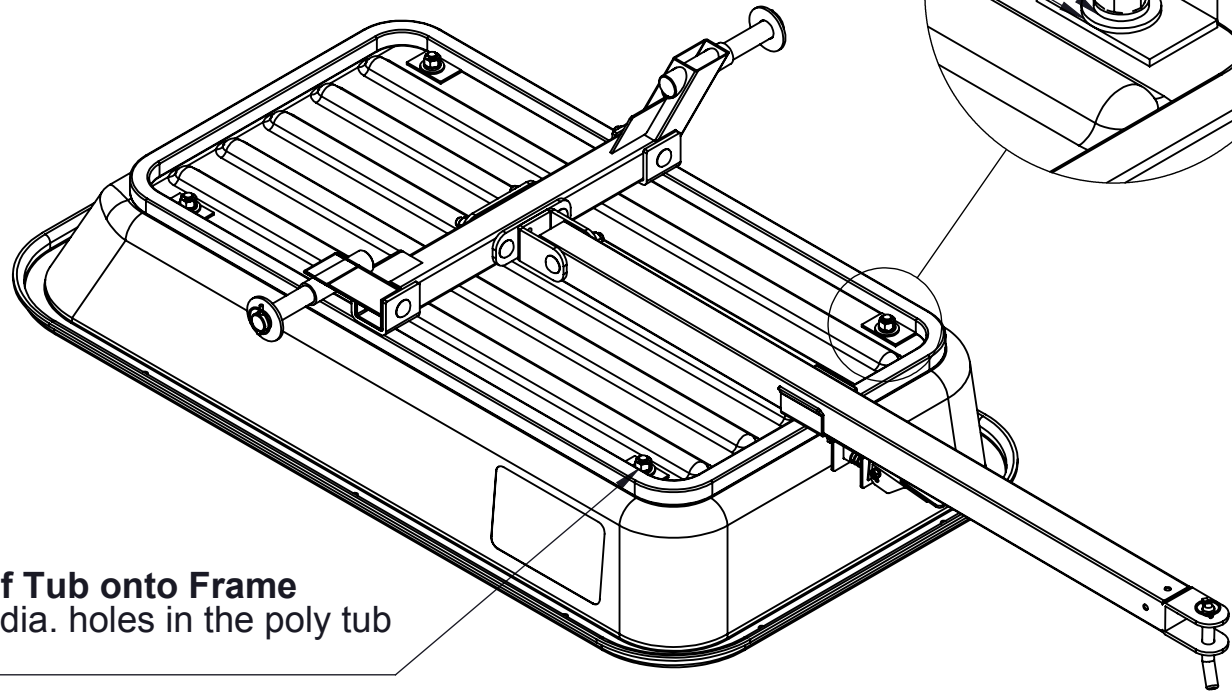
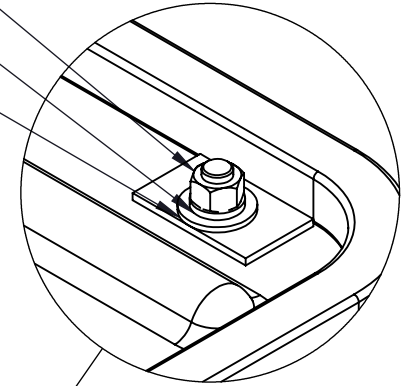
ITEM NO.	PART NUMBER	DESCRIPTION	QTY.
1	IT104	Trailer Tub	1
2	IT105	Main Frame	1
3	ITA213	Axle Assembly	1
4	ITA134	Backer Plate	1
5	ITA-306	Hitch Tube Pivot Bracket	1
6	IT106	Hitch Tube Saddle Bracket	1
7	ITA-305	Hitch Assembly	1
8	ITA160	1/2" Carriage Bolt Plate	4
Hardware List			
10	Regular FW 0.5	.50" Flat Washer	9
11	Lynch Pin	Linch Pin 5/32" Dia.	2
12	Regular LW 0.5	.50" Lock Washer	9
13	HNUT 0.5000-13-D-N	1/2"-13 Hex Nut	9
14	.50-13 3.50 Carriage Bolt	1/2-13 x 3.50" Carriage Bolt	5
15	.50-13 1.25 Carriage Bolt	1/2-13 x 1.25" Carriage Bolt	4
16	Regular FW 1	1" Flat Washer 1/8" Thickness	2
17	625 Hitch Pin	5/8" Dia. Bent Hitch Pin / Snap Clip	1
18	ITA131	Tire Wheel Kit - 18" x 8.50" x 8.00" With 1" ID Bearing	2

Note Slanted Portion of Trailer Tub Face Towards the Rear



Place Trailer Tub on Flat Surface Open Face Down.

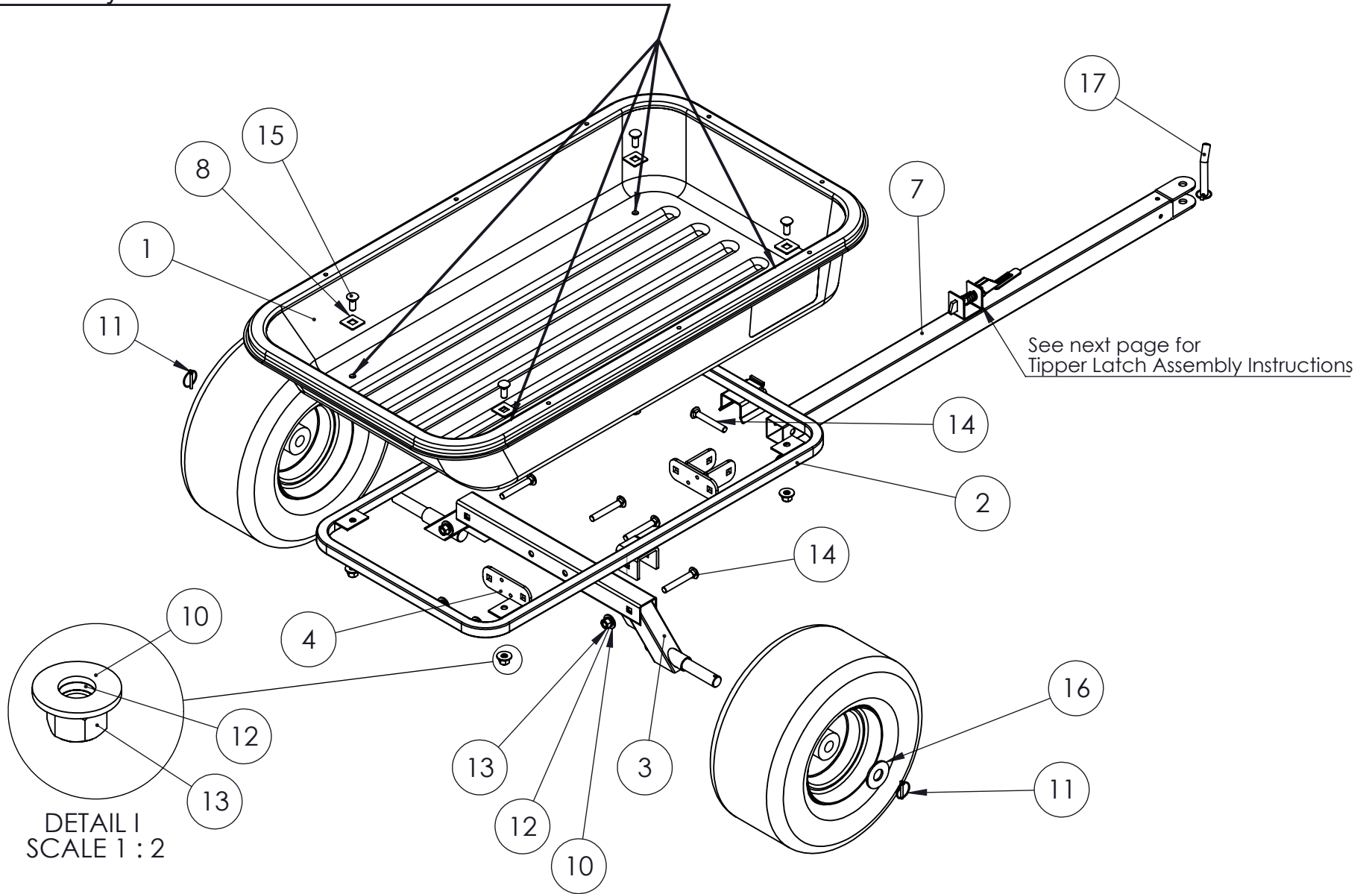
- 1/2" Hex Nut
- 1/2" Lock Washer
- 1/2" Flat Washer



Note: Prior to Final Assembly of Tub onto Frame
It will be required to drill (4) 9/16" dia. holes in the poly tub indicated by indents in bottom.

UPC
MODEL #
DESCRIPTION:
Impact Trailer 100

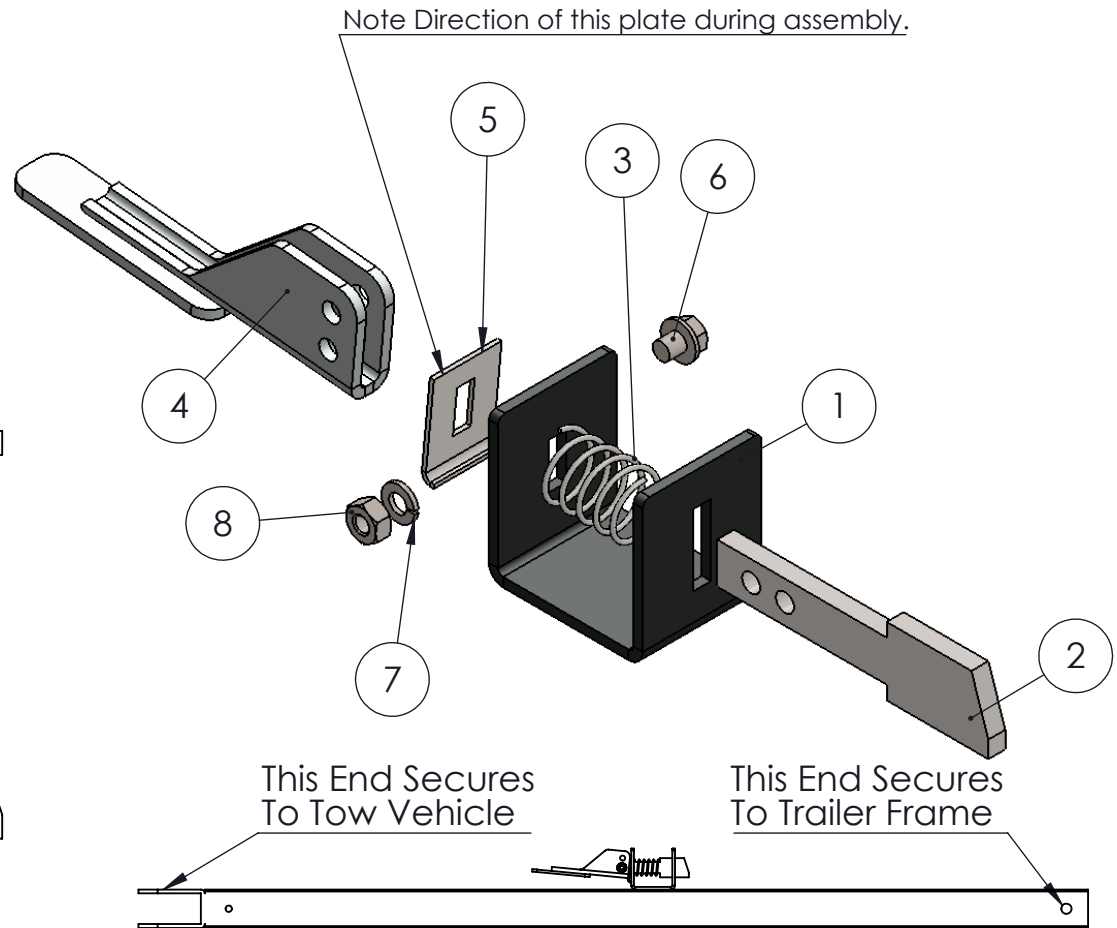
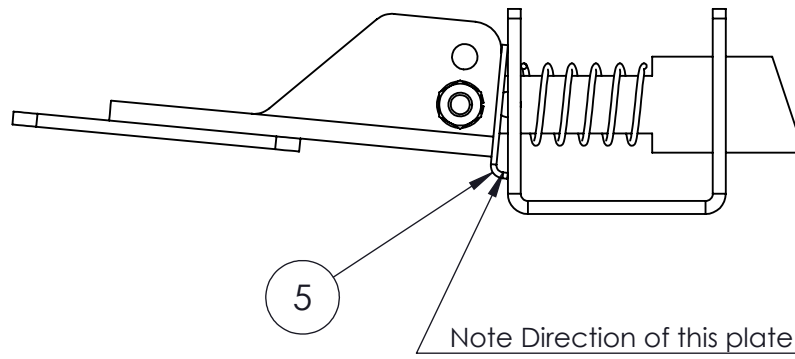
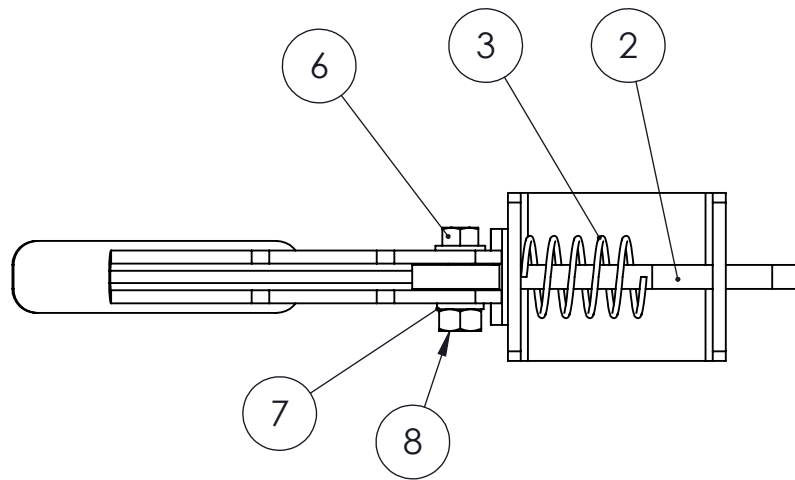
Note: Prior to Final Assembly of Tub onto Frame
It will be required to drill (4) 9/16" dia. holes in the poly tub indicated by indents in bottom.



UPC
MODEL #
DESCRIPTION: Impact Trailer 100

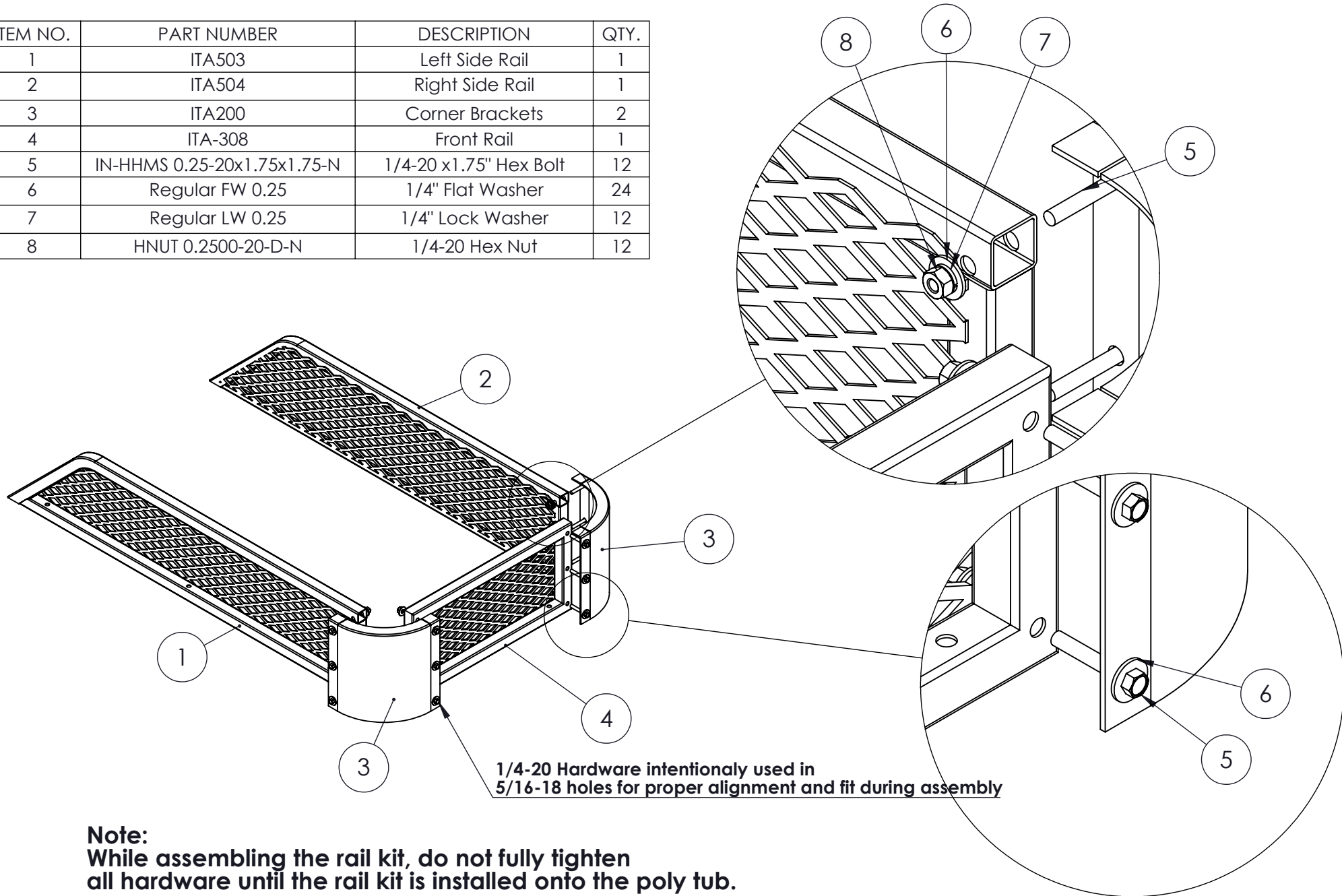
ITEM NO.	PART NUMBER	Title	QTY.
1	TL100	Latch Base Flange	1
2	TL101	Latch Trip Pin	1
3	TL102	Latch Spring	1
4	TL103	Latch Trip Handle	1
5	TL104	Latch Trip Plate	1
6	1/4-20x 1.25" Hex Bolt	1/4-20 x 1.25" Hex Bolt	1
7	Regular LW 0.25	1/4" Lock Washer	1
8	HNUT 0.2500-20-D-N	1/4-20 Hex Nut	1

Tipper Latch Assembly Instructions



UPC
 MODEL #
 DESCRIPTION:
 Trip Latch Assembly

ITEM NO.	PART NUMBER	DESCRIPTION	QTY.
1	ITA503	Left Side Rail	1
2	ITA504	Right Side Rail	1
3	ITA200	Corner Brackets	2
4	ITA-308	Front Rail	1
5	IN-HHMS 0.25-20x1.75x1.75-N	1/4-20 x1.75" Hex Bolt	12
6	Regular FW 0.25	1/4" Flat Washer	24
7	Regular LW 0.25	1/4" Lock Washer	12
8	HNUT 0.2500-20-D-N	1/4-20 Hex Nut	12

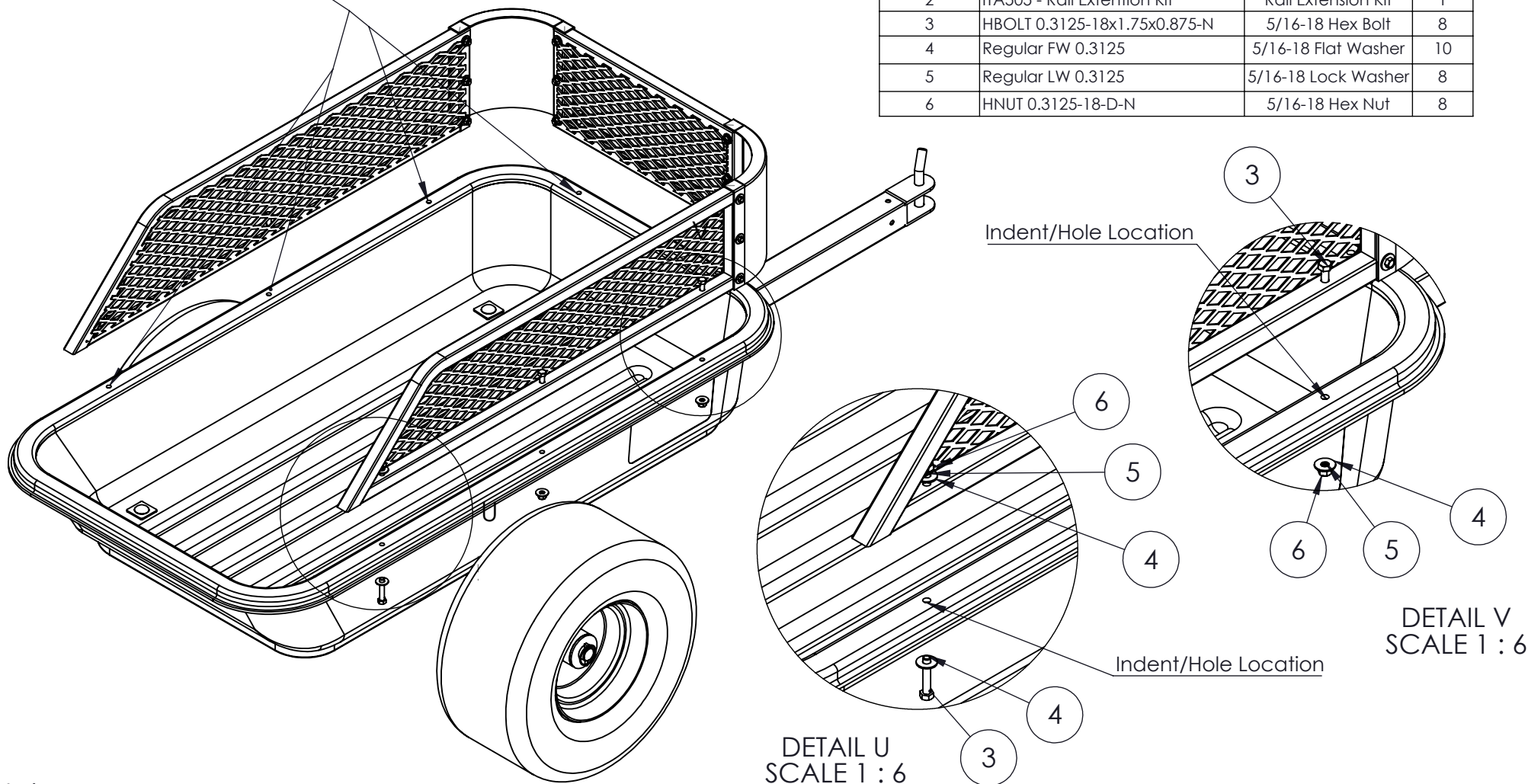


Note:
 While assembling the rail kit, do not fully tighten all hardware until the rail kit is installed onto the poly tub.

UPC
 MODEL #
 DESCRIPTION: Rail Extension Kit

Indent - 3/8" Hole Location 8x

ITEM NO.	PART NUMBER	DESCRIPTION	QTY.
1	ITA-300	Impact Trailer 100	1
2	ITA505 - Rail Extension Kit	Rail Extension Kit	1
3	HBOLT 0.3125-18x1.75x0.875-N	5/16-18 Hex Bolt	8
4	Regular FW 0.3125	5/16-18 Flat Washer	10
5	Regular LW 0.3125	5/16-18 Lock Washer	8
6	HNUT 0.3125-18-D-N	5/16-18 Hex Nut	8



Note:
 Prior to Installation of Rail Kit onto tub, it will be required to drill (8) 3/8" dia. holes in tub.
 Hole locations to be located at indents in the top surface of the Poly Tub.

Once holes have been drilled in plastic tub, and rail kit hardware is installed, then proceed to tighten all hardware.

UPC
 MODEL #
 DESCRIPTION: Impact Trailer 100 / Rail
 Extension Components