



A Division of Thiessen Products, Inc.

INSTRUCTION SHEET FOR TOOL #917

PUSHROD COVER CLIP REMOVER AND INSTALLER TOOL

ALWAYS WEAR SAFETY GLASSES OR OTHER FACE AND EYE PROTECTION SUCH AS FULL FACE SHIELD, OVER YOUR EYES AND FACE. JIMS IS NOT RESPONSIBLE FOR DAMAGE, INJURY, OR YOUR WORK! ALSO JIMS IS NOT RESPONSIBLE FOR THE QUALITY AND SAFETY OF YOUR WORK.

- Assemble pushrod tube cover parts as per H-D service manual and confirm that the o-rings or corks are fully seated in the head and tappet blocks.

Installing the clips:

1. With JIMS clip tool No. 917 held in either hand and with the fork end of tool facing up with two fingers facing away from you, start with the installation of both intake pushrod clips first.

See Fig 1.

2. Begin by loading a pushrod cover clip into the tool. First look at the top of tool. You will see a milled out radius (1/2 of a circle) on the bottom. This is where you will be placing the one end of the clip.

See Fig 2.

4. Place the end of clip up to the pushrods inner cover and with the fingers of tool resting on top of spring cover, now with one smooth motion push up on the front of tool at the same time pulling up on the end of tool and push down and inward.

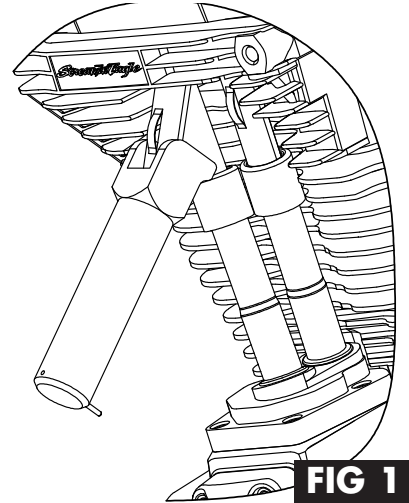
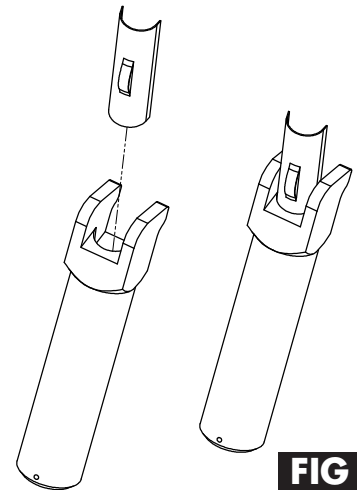
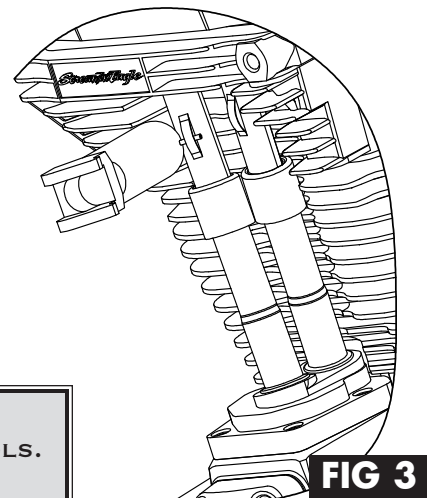
See Fig 1.

Note: Using your fingers push the clip and try to wiggle it to make sure it is fully seated. Repeat the above steps for the other intake clip first, followed by the remaining two clips.

Removing clips:

The other end of tool has a remover pin installed for removing clips.

1. To remove the clips, start by placing the pin end of tool inside the raised tag of one of the clips to be removed. To help overcome the spring pressure, push down on the spring cover holding the clips in place. Then with your fingers push down on spring cover just enough to pull the clip free from pushrod assembly. **See Fig 3.**


FIG 1

FIG 2

FIG 3

CAUTION: WEAR SAFETY GLASSES OVER YOUR EYE'S.
SEE JIMS® CATALOG FOR HUNDREDS OF TOP QUALITY PROFESSIONAL TOOLS.
THE LAST TOOLS YOU WILL EVER NEED TO BUY.

Performance Parts For Harley-Davidson Motorcycles

Accept no compromises, choose only quality motorcycle tools.