

“2000-06” Yamaha 400 BIG BEAR Winch Mount

Winch Mount

PART # 100330

Kit Components:

Hardware Kit: HK-001

<u>Qty</u>	<u>Part Description</u>
1.....	Winch Mount
4.....	5/16”-18 x 1.00” Flange Bolt
4.....	5/16” Nylock Nuts
4.....	5/16” Flat SAE Washers

INSTALLATION INSTRUCTIONS:

1. Place mount into location and assemble mount to the Frame (figure 1) and to the Bumper (figure 2) with supplied 5/16” Hardware as shown in exploded view below.
2. Assemble hawse or roller fairlead and winch to winch mount using hardware that was supplied with your winch and fairlead.
3. Using the instructions provided with your winch, wire accordingly.

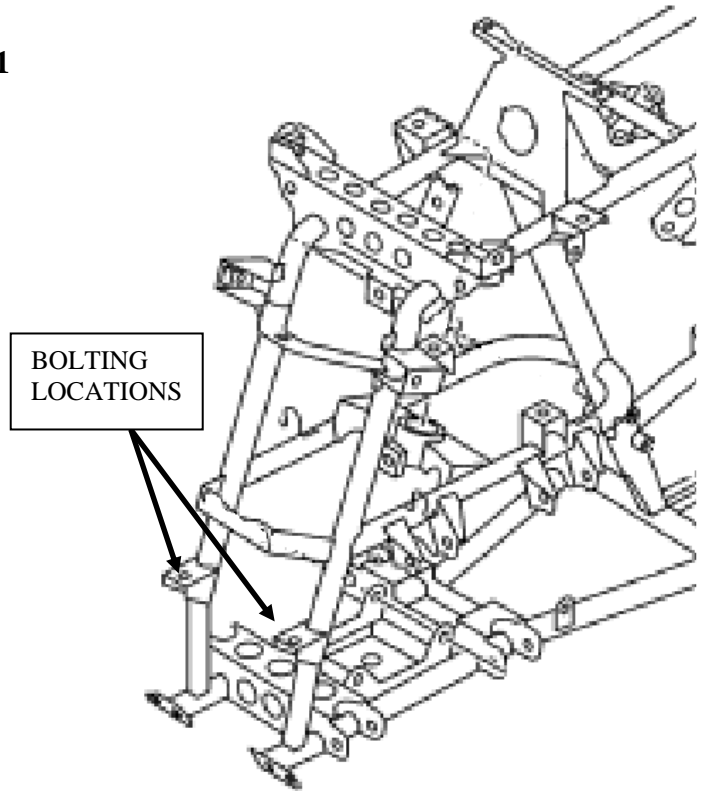


Figure 1 “Frame Mounting Hole Locations”

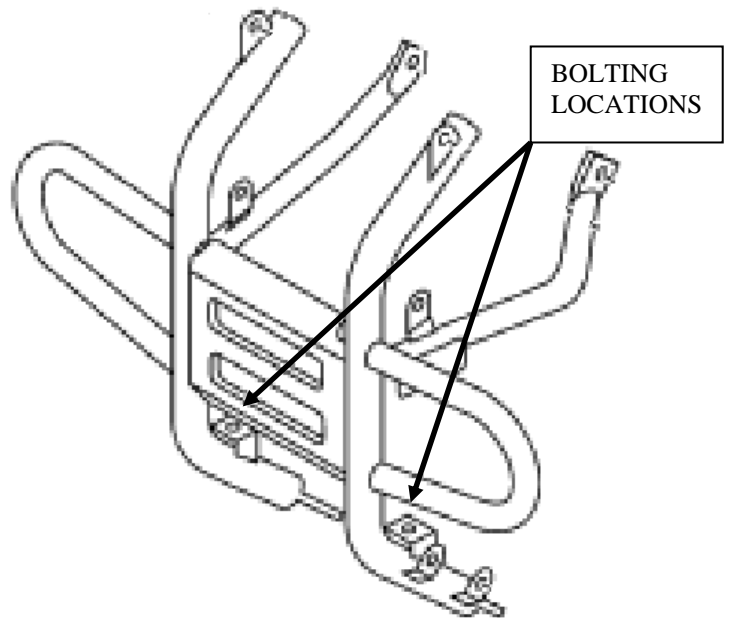
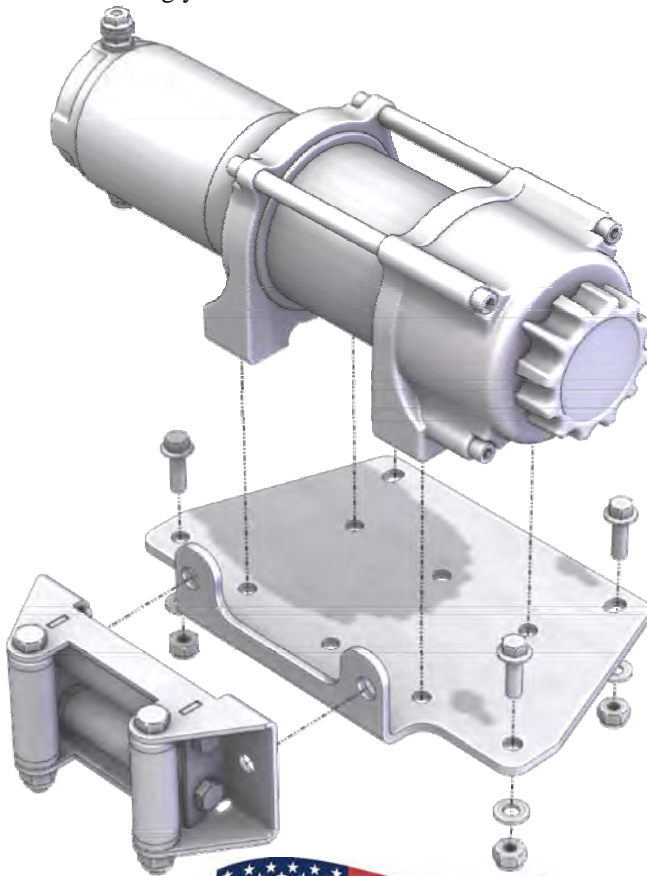


Figure 2 “Bumper Mounting Hole Locations”

