



# 2005-2010 Polaris Sportsman's, X2's, & Touring

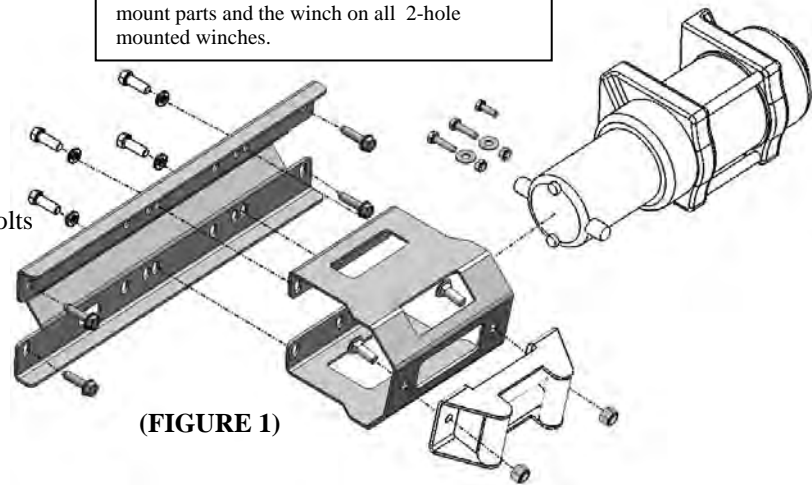
## Winch Mount

PART # 100440

Warn shown for reference (4-bolt pattern) 2-bolts will only be used to assemble the two mount parts and the winch on all 2-hole mounted winches.

### Kit Components:

Qty	Part Description
1	Winch Mount mounting channel
1	Winch Mount fairlead bracket
4	5/16-18 x 1 1/4" Self-tapping Hex Head Flange Bolts
2	1/4-20 x 1.00" Hex Head Bolts
2	1/4" Flat Washers
2	1/4-20 Locking Hex Nuts
1	6mm x 18mm Battery Bolt
2	3/8" x 3/4" Carriage bolt
2	3/8" Locking Hex Nuts



(FIGURE 1)

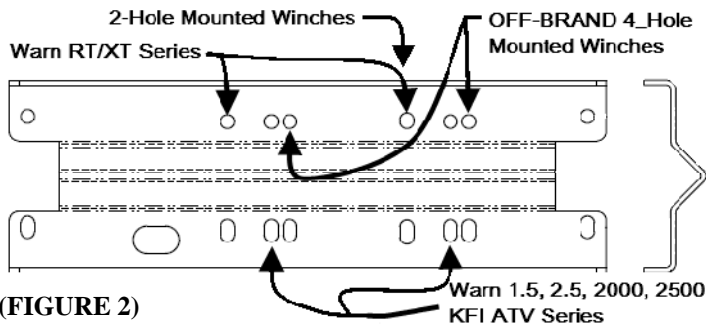
### INSTALLATION INSTRUCTIONS:

1. Assemble the Hawse or Roller Fairlead (not included) to the fairlead bracket as shown using the supplied hardware (see figure 1).

2. Assemble your winch (not included) to the fairlead bracket and mounting channel as shown using the hardware supplied with your winch kit (see figure 1).

**NOTE:** see figure 2 for which holes to use when assembling your winch.

Only 2 holes will be used on the 2-Hole Mounted Winches



(FIGURE 2)

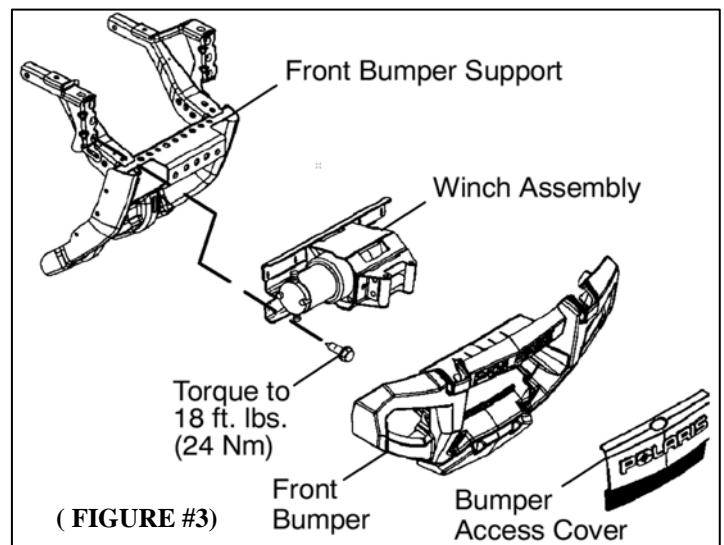
- Remove the seat.
- Using a 10 mm wrench or a Phillips screwdriver, disconnect the positive (red) and negative (black) wires from the battery.
- Disconnect the left-hand and right-hand headlight plugs. These are located just behind the headlights.
- Remove the **Main Access Cover "A"** located in the front storage box.

7. Remove the **Front Bulkhead Access Cover "B"**, located just below the headlight pod.



8. Remove the **Bumper Access Cover** by pulling outwards until the bottom tabs snap out, then lift up (See figure 3)

9. Remove the four bolts holding the front bumper, and remove the bumper.



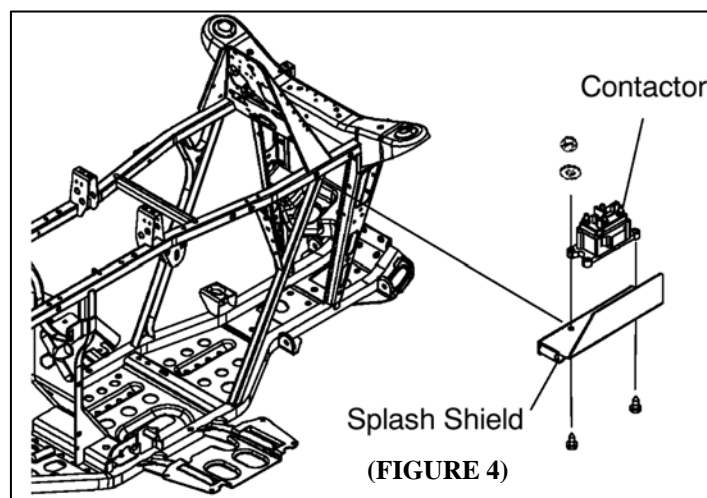
(FIGURE #3)

10. Holding the winch assembly in the location shown in figure 3, route the winch wires (shortest ones) under the front storage box and up through the **Main Access Cover**.
11. Using a 1/2" socket, fasten the winch assembly to the front bumper support using four 5/16" x 1 1/4" self-tapping bolts (included). Torque to 18 ft. lbs. (24 Nm).
12. Reassemble the front bumper and attach the headlight wires.
13. Route the switch wires (not included) through the upper headlight pod, through the steering post hole, and to the bulkhead (just below the headlight pod). Secure the switch in a desired location.
14. Locate the main wire harness just below the headlight pod. Find the orange/white wire connector wrapped in shrink-wrap and cut a slit along the width in the end of the shrink-wrap.
15. Connect the switch accessory wire (if available with your winch kit) from the winch's switch to the orange/white wire from the main harness on your ATV.
16. Continue to route the winch wires from the winch up to the front bulkhead and over to the right side splash shield location (see figure 4).
17. Route the switch wires from the winch switch to the splash shield location.
18. Use a 3/8" socket to remove the two bolts holding the splash shield (under the right-hand front fender, see above).
19. Remove the P-clip securing the winch pre-wire connector to the splash shield and remove the wire boot cover.
20. Mount your winch contactor (included with your winch kit) to the top side of the splash shield, using the two 1/4-20 x 1.0" bolts, two washers, and two 1/4-20 nuts included or using the hardware included with your winch kit.

21. If using our contactor hardware, place the nut and washer on the **top side** of the shield (refer to figure 4).

**NOTE for Warn Winch kits: Assemble so the green and black wire lead is toward the center of the vehicle.**

22. Connect all of the wires to the contactor terminal and tighten per your winches installation instructions. (terminals are usually color-coded)



23. Locate the positive winch wire lead (near/behind the battery) and remove the yellow shrink-wrap. Using the longer battery bolt provided in our kit, connect both the positive battery cable and the positive winch wire lead to the battery.
24. Reconnect the ground wire to the battery.
25. Reinstall the seat.
26. Reinstall the bulkhead cover and main access cover.
27. Test the winch for operation.
28. Go get stuck in some mud and try it out.



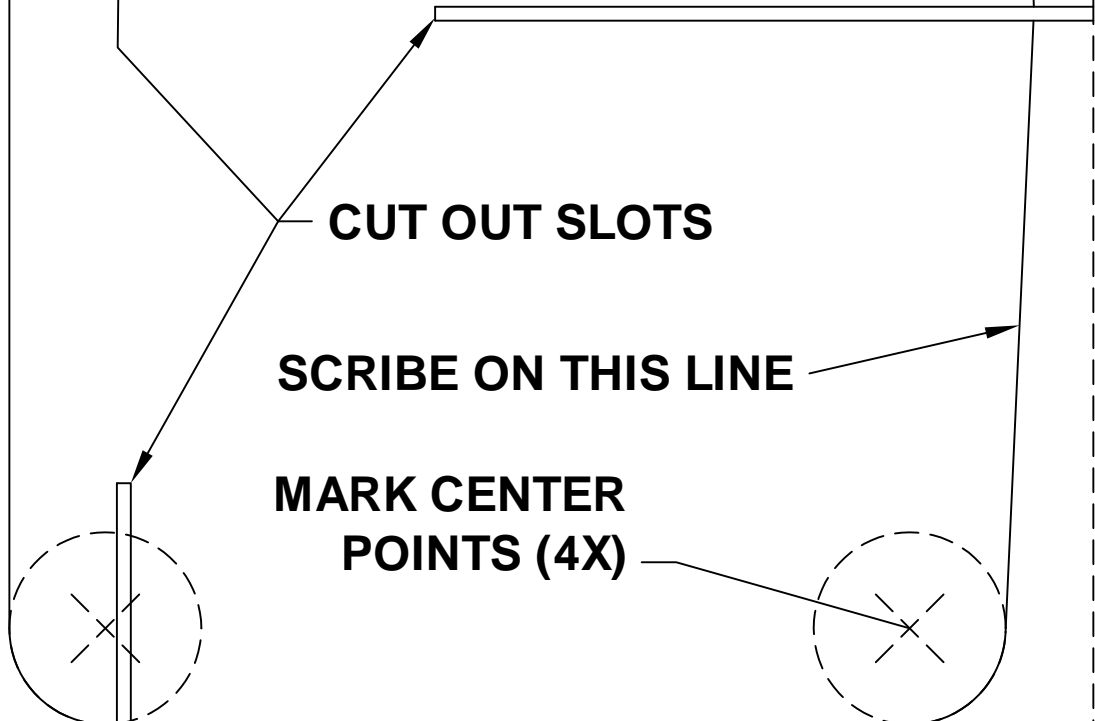
# OPTIONAL WARN 3.0ci/ce WINCH COVER TEMPLATE



(This template is used to indicate where to cut the cover to allow use of the cover with a winch installed)

**CAUTION: Use safety glasses and other appropriate safety equipment when cutting**

- (1) Cut out the template on the dashed line, and cut out the slots, as indicated
- (2) Place the template on the inside of the cover, slipping the plastic "fins" through the cutout slots. Tape in place.
- (3) Mark the center points at each corner, as indicated
- (4) Score the plastic surface around the outer edge with a razor blade or utility knife.
- (5) At each marked center point, drill a 1" hole.
- (6) Remove the template, and cut along the scored line with a jig saw. "Blend" the saw sut into each drilled hole.
- (7) Smooth the cut edges with a file.



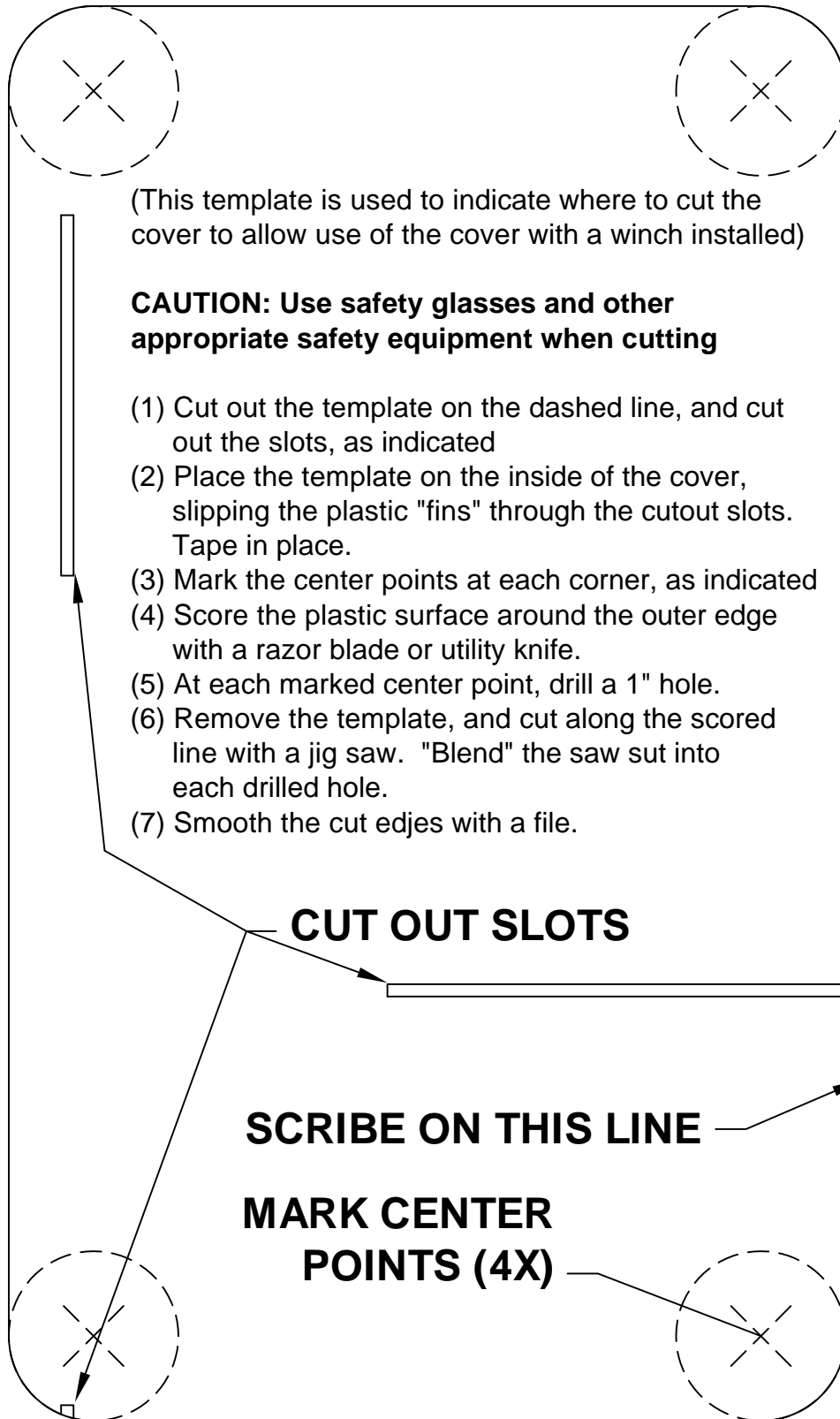
**CUT OUT SLOTS**

**SCRIBE ON THIS LINE**

**MARK CENTER POINTS (4X)**

**FOR WINCHES:  
- WARN: 3.0ci / 3.0ce**

# OPTIONAL STANDARD WARN/RAMSEY WINCH COVER TEMPLATE



(This template is used to indicate where to cut the cover to allow use of the cover with a winch installed)

**CAUTION: Use safety glasses and other appropriate safety equipment when cutting**

- (1) Cut out the template on the dashed line, and cut out the slots, as indicated
- (2) Place the template on the inside of the cover, slipping the plastic "fins" through the cutout slots. Tape in place.
- (3) Mark the center points at each corner, as indicated
- (4) Score the plastic surface around the outer edge with a razor blade or utility knife.
- (5) At each marked center point, drill a 1" hole.
- (6) Remove the template, and cut along the scored line with a jig saw. "Blend" the saw cut into each drilled hole.
- (7) Smooth the cut edges with a file.

**CUT OUT SLOTS**

**SCRIBE ON THIS LINE**

**MARK CENTER POINTS (4X)**

**FOR WINCHES: KFI: A2500 / A3000**

**- WARN: 1.5ci / 2.5ci / 2.5ce / A2000 / A2500 / U2500**

**- RAMSEY: ATV2500 / ATV3000**

# OPTIONAL SUPERWINCH WINCH COVER TEMPLATE

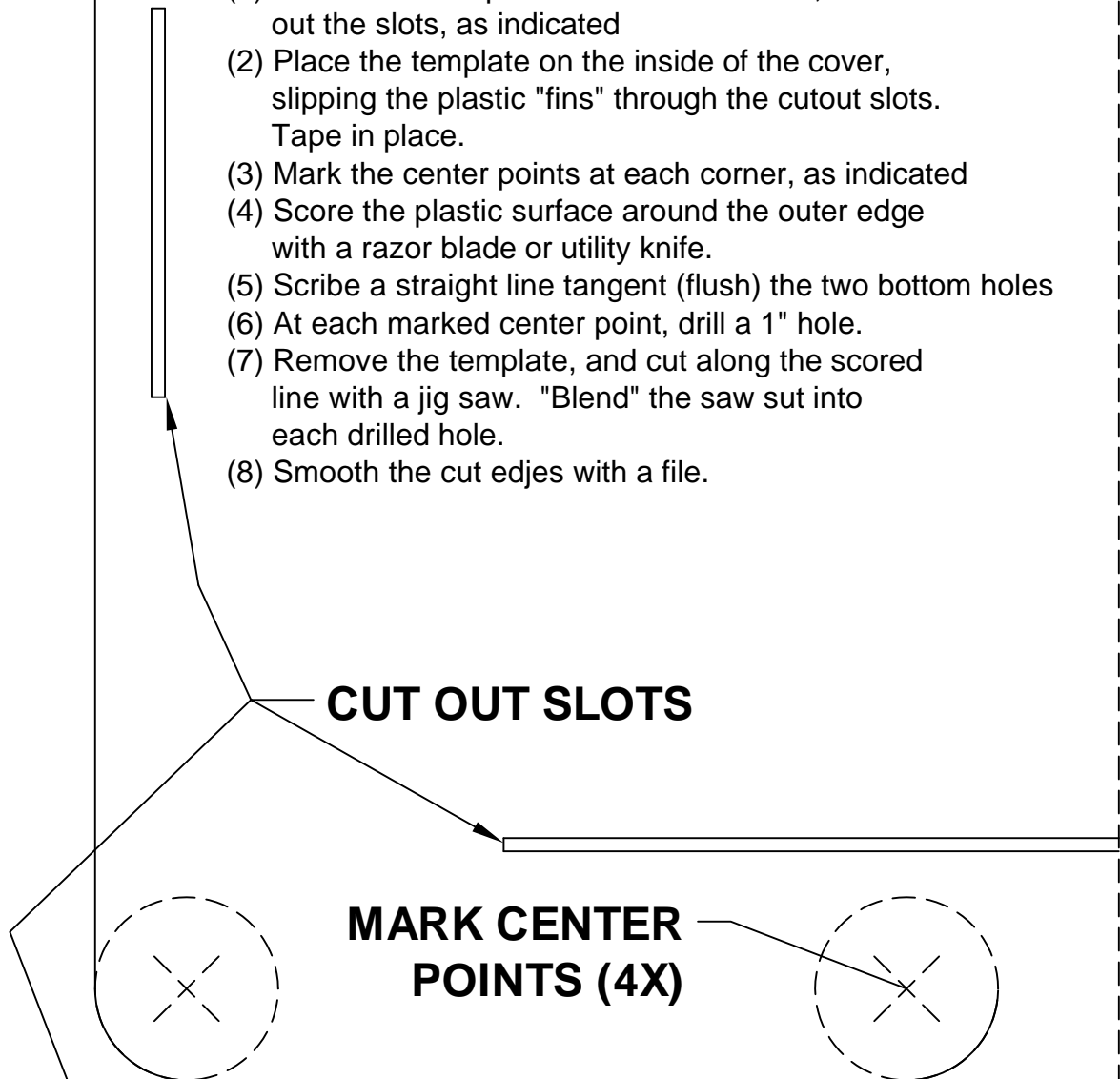


**SCRIBE ON THIS LINE**

(This template is used to indicate where to cut the cover to allow use of the cover with a winch installed)

**CAUTION: Use safety glasses and other appropriate safety equipment when cutting**

- (1) Cut out the template on the dashed line, and cut out the slots, as indicated
- (2) Place the template on the inside of the cover, slipping the plastic "fins" through the cutout slots. Tape in place.
- (3) Mark the center points at each corner, as indicated
- (4) Score the plastic surface around the outer edge with a razor blade or utility knife.
- (5) Scribe a straight line tangent (flush) the two bottom holes
- (6) At each marked center point, drill a 1" hole.
- (7) Remove the template, and cut along the scored line with a jig saw. "Blend" the saw cut into each drilled hole.
- (8) Smooth the cut edges with a file.



**CUT OUT SLOTS**

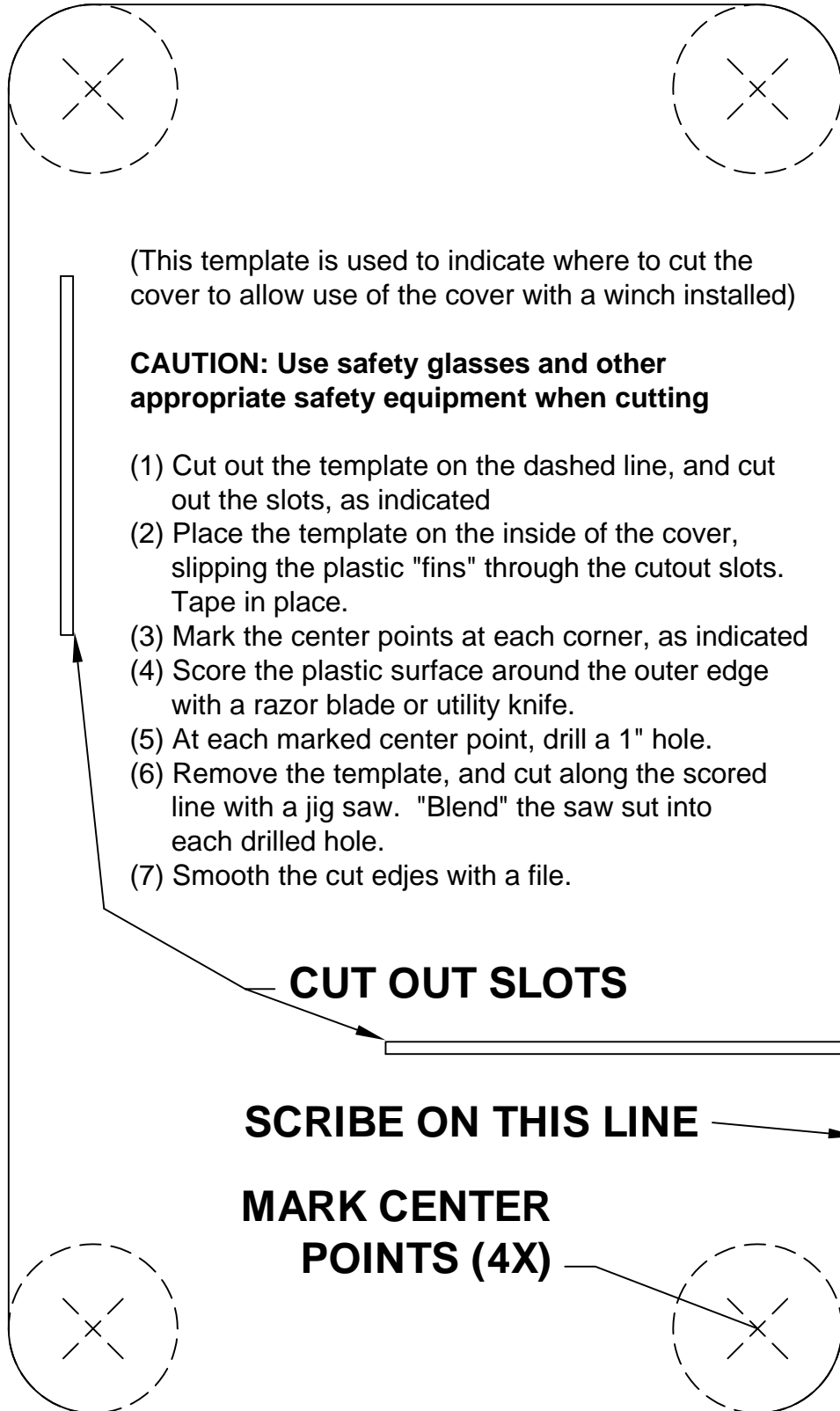
**MARK CENTER POINTS (4X)**

**FOR WINCHES:**

- SUPERWINCH: T1500 / T2000 / ATV1800 / ATV2000 / ATV3000
- HARBOR FREIGHT CHICAGO ELECTRIC 2000LB
- KFI: S2000
- MANY OTHERS SIMILAR THAT MOUNT WITH 2-HOLES

# OPTIONAL

## Venom Hardcore / Mile Marker Winch Cover Template



(This template is used to indicate where to cut the cover to allow use of the cover with a winch installed)

**CAUTION: Use safety glasses and other appropriate safety equipment when cutting**

- (1) Cut out the template on the dashed line, and cut out the slots, as indicated
- (2) Place the template on the inside of the cover, slipping the plastic "fins" through the cutout slots. Tape in place.
- (3) Mark the center points at each corner, as indicated
- (4) Score the plastic surface around the outer edge with a razor blade or utility knife.
- (5) At each marked center point, drill a 1" hole.
- (6) Remove the template, and cut along the scored line with a jig saw. "Blend" the saw cut into each drilled hole.
- (7) Smooth the cut edges with a file.

**CUT OUT SLOTS**

**SCRIBE ON THIS LINE**

**MARK CENTER POINTS (4X)**

**FOR WINCHES:**

- Venom: 2000/2500/3000 Hardcore Series
- Mile Marker: PE2500 / VMX2.5