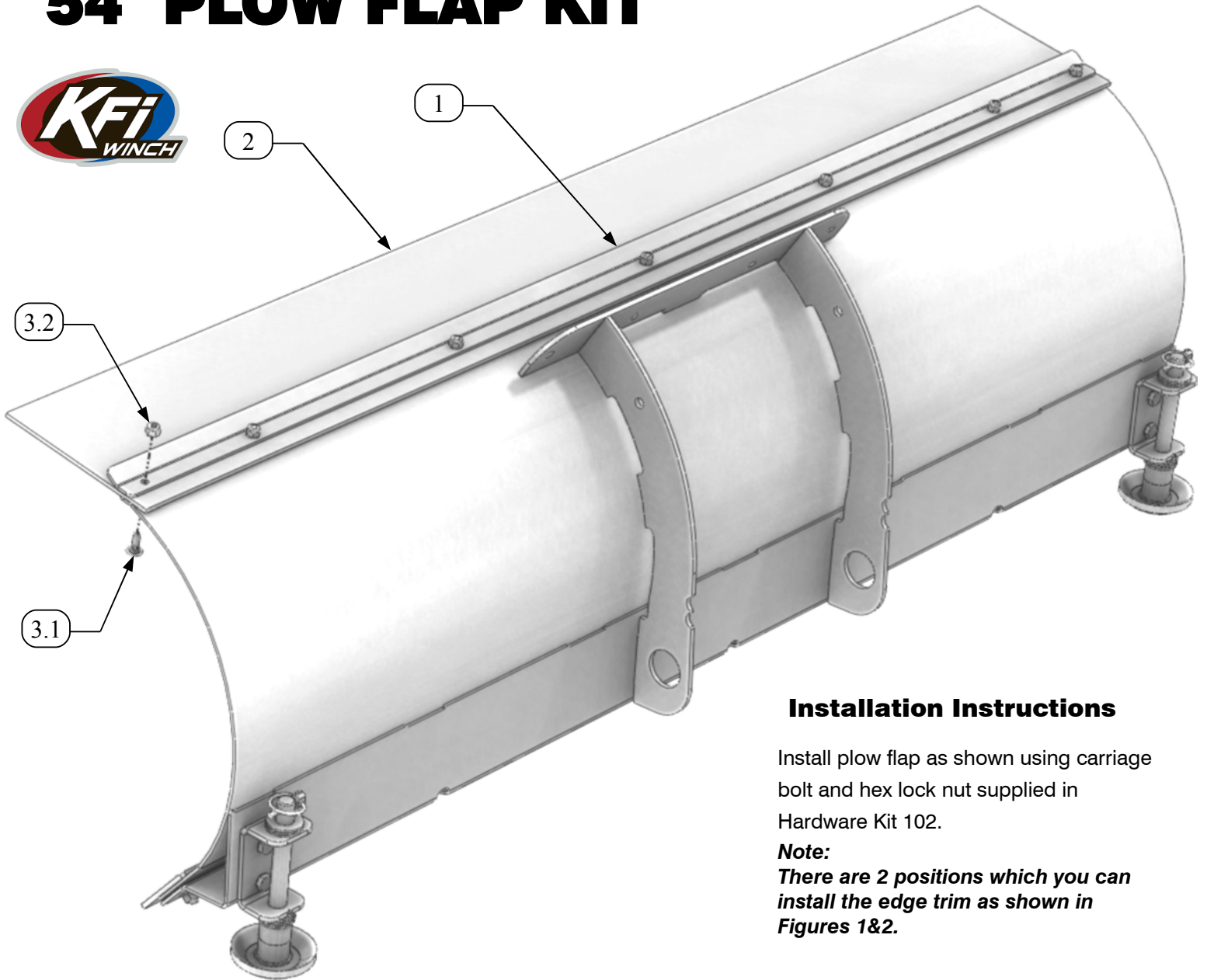


54" PLOW FLAP KIT



Installation Instructions

Install plow flap as shown using carriage bolt and hex lock nut supplied in Hardware Kit 102.

Note:

There are 2 positions which you can install the edge trim as shown in Figures 1&2.

105014-B PARTS LIST

| ITEM # | PART # | DESCRIPTION | QTY. |
|--------|--------------------|----------------------------|------|
| 1 | 105011 | STR PLOW 54 EDGE TRIM | 1 |
| 2 | 105169 | 54 RUBBER FLAP | 1 |
| 3 | HK-102 | PLOW FLAP HARDWARE KIT | 1 |
| 3.1 | CB-ZP-0250-20-0_75 | 1/4-20 x 3/4 CARRIAGE BOLT | 7 |
| 3.2 | HNNL-ZP-0250-20 | 1/4-20 HEX NUT NYLOCK | 7 |

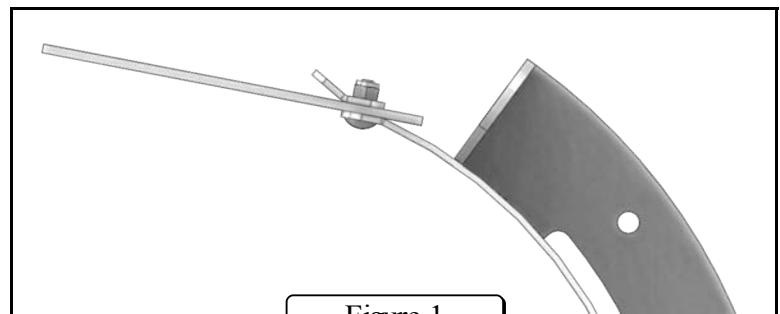


Figure 1

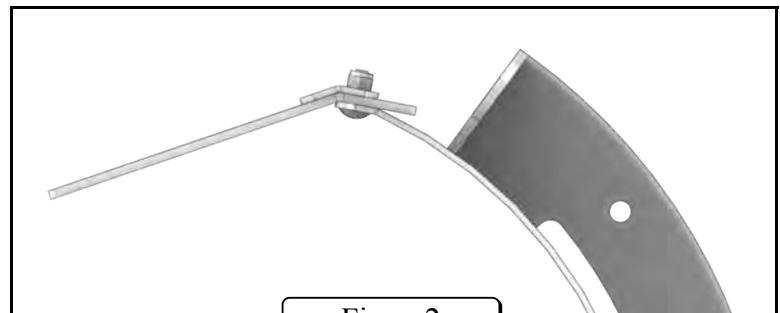


Figure 2