



INSTALLATION INSTRUCTIONS

57-1129
POLARIS

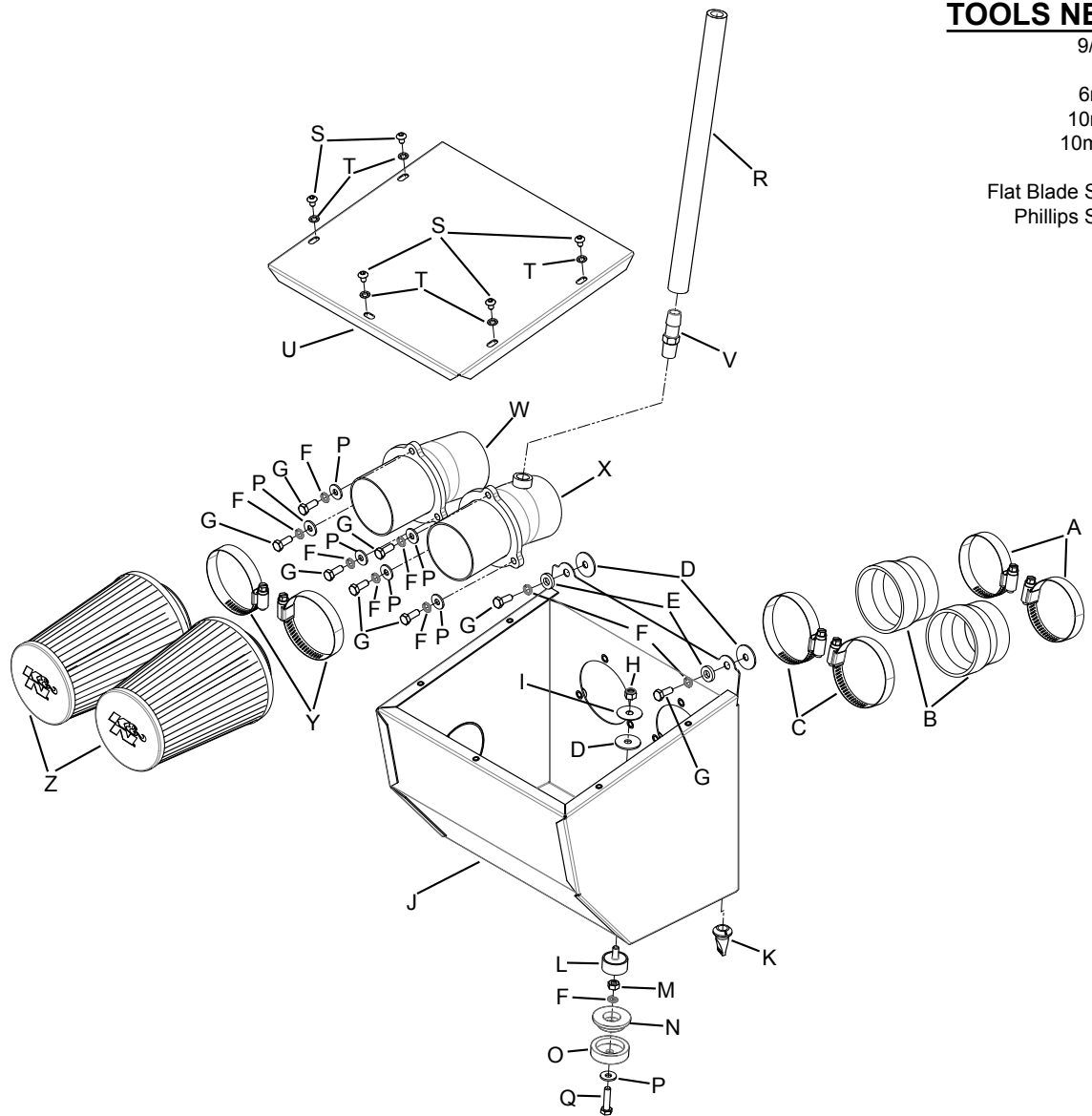
SEE CATALOG OR KNFILTERS.COM
FOR CURRENT APPLICATIONS

TOOLS NEEDED:

- 9/16" Socket
- 3mm Allen
- 6mm Socket
- 10mm Socket
- 10mm Wrench
- Extension
- Flat Blade Screwdriver
- Phillips Screwdriver
- Ratchet

PARTS LIST:

Description	Qty.	Part #
A Hose Clamp # 32	2	08507
B Hose; 2-1/2" To 2-1/4"ID X 2" L	2	08476
C Hose Clamp #36	2	08530
D Washer; 1" X .300 X .100 Rubber	3	21685
E Washer; 1/4" ID X 5/8" OD- SAE	2	08275
F Washer; M6 Split Lock Zinc	9	1-3025
G Bolt; 6MM-1.00 X 16MM, SS	8	07812
H Nut; 6MM Nylock, Hexhead, SS	1	07512
I Washer; 1"D X 1/4 Hole Fender	1	08160
J Heat Shield	1	074104
K Drain Valve, 0.500"	1	8-145
L Stud; Rubber MNT, M/F, M6 X 1.00	1	070228
M Nut; M6 X 1.00, Hex, SS	1	07506
N Spacer, Up, Anodize Black	1	2-691
O Spacer, Lo, Anodize Black	1	2-692
P Washer; 6MM Flat, SS	7	08269
Q Bolt; M6-1.00 X 25MM, SS	1	07858
R Hose; 1/2"ID X 12"L	1	087031
S Bolt; M5 X .8 X 8MM, Buttonhead	5	07740
T Washer; 5MM Star Cut Lock	5	07724
U Heat Shield Lid	1	074105
V Vent; STRT 1/2" Hose, 1/4 NPT	1	080022
W Intake Tube	1	27548TK
X Intake Tube	1	27547TK
Y Hose Clamp # 40	2	08554
Z Air Filter	2	RC-5062XD



NOTE: FAILURE TO FOLLOW INSTALLATION INSTRUCTIONS AND NOT USING THE PROVIDED HARDWARE MAY DAMAGE THE INTAKE TUBE, THROTTLE BODY AND ENGINE.

TO START:

1. Turn off the ignition and disconnect the negative battery cable.



2. Remove the engine access panel from the cargo bay.



3. Loosen the hose clamp securing the fresh air intake hose to the air box and then disconnect the fresh air intake hose from the air box.



4. Loosen the five air box retaining nuts and release the retaining nuts.



5. Depress the two locking tabs and then remove the air box half from the vehicle.



6. Loosen the two hose clamps securing the factory air horns to the throttle bodies.



7. Remove the two bolts securing the air box to the mounting bracket.



8. Loosen the hose clamp that secures the idle by-pass hose to the idle by-pass solenoid.



9. Remove the air box half from the vehicle as shown.

NOTE: K&N Engineering, Inc., recommends that customers do not discard factory air intake.



10. Remove the lower air box mounting grommet shown.



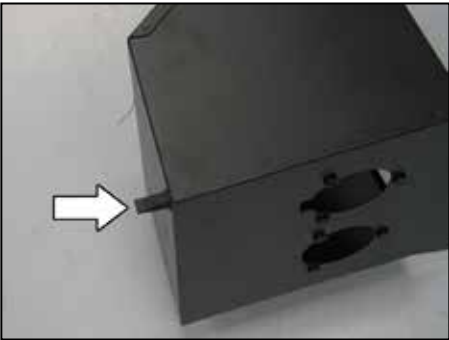
11. Assemble the heat shield mount onto the air box mounting bracket.



12. Install the rubber mounted stud onto the heat shield mount as shown.



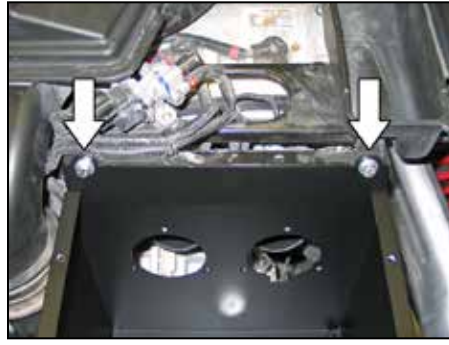
13. Install the silicone hoses (08476) onto the throttle bodies and secure with the provided hose clamps.
NOTE: Be sure the hose clamps are fully seated once tightened.



14. Install the provided duck bill drain into the air box as shown.

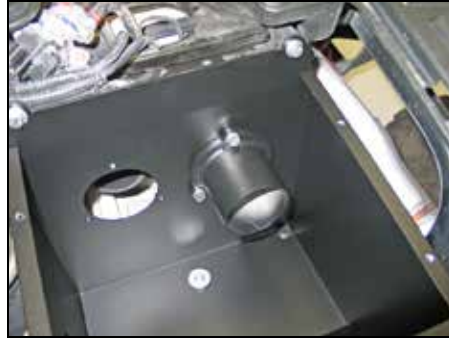


15. Install the air box into the vehicle so that the stud protrudes through the hole on the bottom and the fresh air supply hose is installed onto the air box tube. Then install the lower mounting hardware but do not completely tighten at this time.



16. Secure the top of the air box to the mounting bracket with the provided hardware and then tighten the lower mounting nut and hose clamp securing the fresh air intake hose.

NOTE: Place the two rubber washers between the heat shield and mounting bracket.



17. Install the right side intake tube (27547) through the heat shield, rotate 180° and then install into the silicone hose at the throttle body. Secure the intake tube with the hose clamp and hardware provided.



18. Install the provided npt vent fitting into the K&N® intake tube.



19. Install the provided idle by-pass hose onto the npt vent fitting and then onto the idle solenoid.



20. Install the left side intake tube (27548) through the heat shield and into the silicone hose on the throttle body, and then secure with the provided hardware and hose clamp.



21. Install the K&N® air filters onto the intake tubes and secure with the provided hose clamps.



22. Install the air box lid and secure with the provided hardware.



23. Reinstall the engine access panel.

24. Reconnect the vehicle's negative battery cable. Double check to make sure everything is tight and properly positioned before starting the vehicle.

25. The C.A.R.B. exemption sticker, (attached), must be visible, so the emissions inspector can see it when the vehicle is required to be tested for emissions. California requires testing every two years, other states may vary.

26. It will be necessary for all K&N® high flow intake systems to be checked periodically for realignment, clearance and tightening of all connections. Failure to follow the above instructions or proper maintenance may void warranty.

ROAD TESTING:

1. Start the engine with the transmission in neutral or park. Listen for air leaks or odd noises. For air leaks secure hoses and connections. For odd noises, find cause and repair before proceeding. This kit will function identically to the factory system except for being louder and much more responsive.

2. Test drive the vehicle. Listen for odd noises or rattles and fix as necessary.

3. If road test is fine, you can now enjoy the added power and performance from your kit.

4. K&N Engineering, Inc., requires cleaning the intake system's air filter element periodically for excessive dirt build-up. When used in harsh terrain conditions or off-road environments, our filters will require cleaning more often. We recommend that you visually inspect your filter more frequently when used in harsh terrain conditions to determine if the screen is still visible. When the screen is no longer visible some place on the filter element, it is time to clean it. To clean and re-oil, purchase our filter Recharger® service kit, part number 99-5050 or 99-5000 and follow the easy instructions.