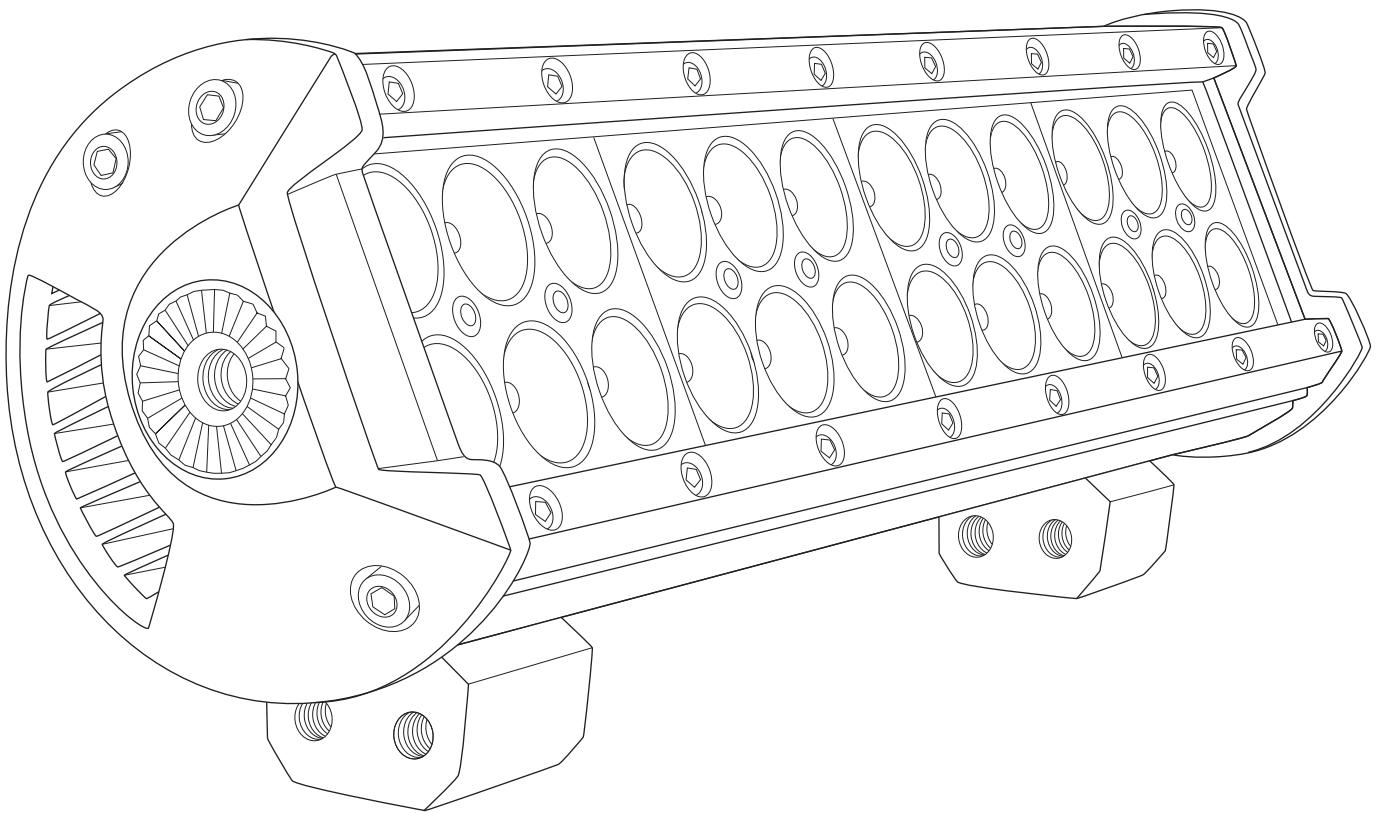


# LUMEN

## LED Light Bar Bracket

# INSTALLATION INSTRUCTIONS

For LED Light Bar



STK - LID-OR930CS, STK - LID-OR931CS, STK - LID-OR932CS, STK - LID-OR933CS,  
STK - LID-OR934CS, STK - LID-OR935CS, STK - LID-OR936CS, STK - LID-OR937CS,  
STK - LID-OR941C (Bottom Mount Only), STK - LID-OR942C (Bottom Mount Only),  
STK - LID-OR943C (Bottom Mount Only), STK - LID-OR944C (Bottom Mount Only),  
STK - LID-OR9500CS (Bottom Mount Only)



 **Caution**

These instructions are not intended to take the place of good workshop practices and common sense. Improper repairs can lead to property damage or personal injury!

 **Tools and supplies needed:**

- Adjustable wrench or the following
  - 10mm wrench
  - 14mm wrench
- Hex wrenches (included)

## BRACKET POSITION: Bottom

Verify that you have the following, hardware as shown below:



Loosen the set screws of the bottom brackets using the included hex wrench. Do not tighten completely until the final position is determined.



Now add the bottom brackets to the assembly as shown.

*NOTE: Make sure to insert the 14mm hex bolt into the bracket FIRST, then attach the bracket with the 4 x 10mm bolts and washers.*



Tighten and adjust the bracket positions and beam angle as necessary. Use the remaining hardware to mount the light bar on your vehicle.

*NOTE: Loosening and tightening the nut(s) allows the bracket position to be adjusted from left to right and also will allow for adjustment of the beam angle of the light bar up and down.*



## BRACKET POSITION: Side

Verify that you have the following, hardware as shown below:



Attach the brackets to each side of the light bar using the included hex wrench, bolts and washers.

*NOTE: Beam angle can be adjusted by loosening and tightening the bolt.*



Use the remaining hardware to mount the light bar on your vehicle.

