



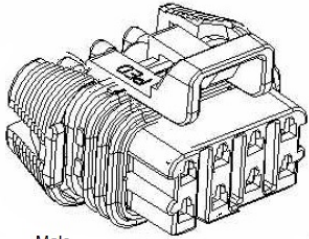
MPS-RZRLOC

INSTALLATION INSTRUCTIONS

Fits Polaris **RIDECMDAND MPS-RCLOC**

ASSEMBLY INSTRUCTIONS

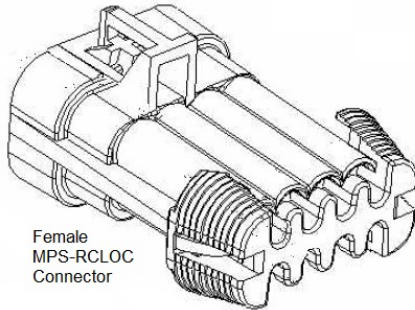
MPS-RCLOC to Ridecommand Connector



Male
Vehicle Side
Ride command
Connector
AMP1,
AMP2,
AMP3



Lock Clip
(CPA)



Female
MPS-RCLOC
Connector



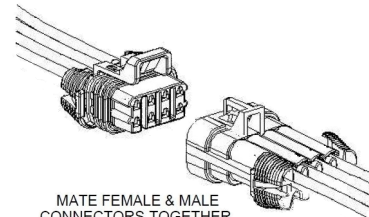
MPS-RZRLOC

INSTALLATION INSTRUCTIONS

Fits Polaris **RIDECMDAND MPS-RCLOC**

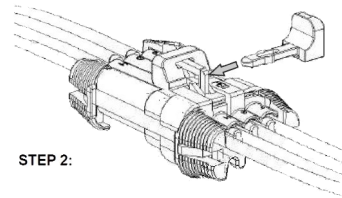
ASSEMBLY INSTRUCTIONS

MPS-RCLOC to Ridecommand Connector



STEP 1:

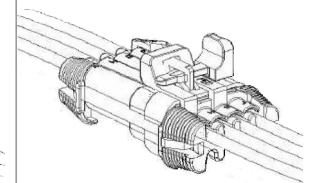
**MATE FEMALE & MALE
CONNECTORS TOGETHER.**



STEP 2:

A. Hold the mated connectors. Hold the locking clip (CPA) with the end extending toward the connector.

B. Slide the extension into the slot applying pressure with your fingers until the locking clip snaps into place.



COMPLETED