

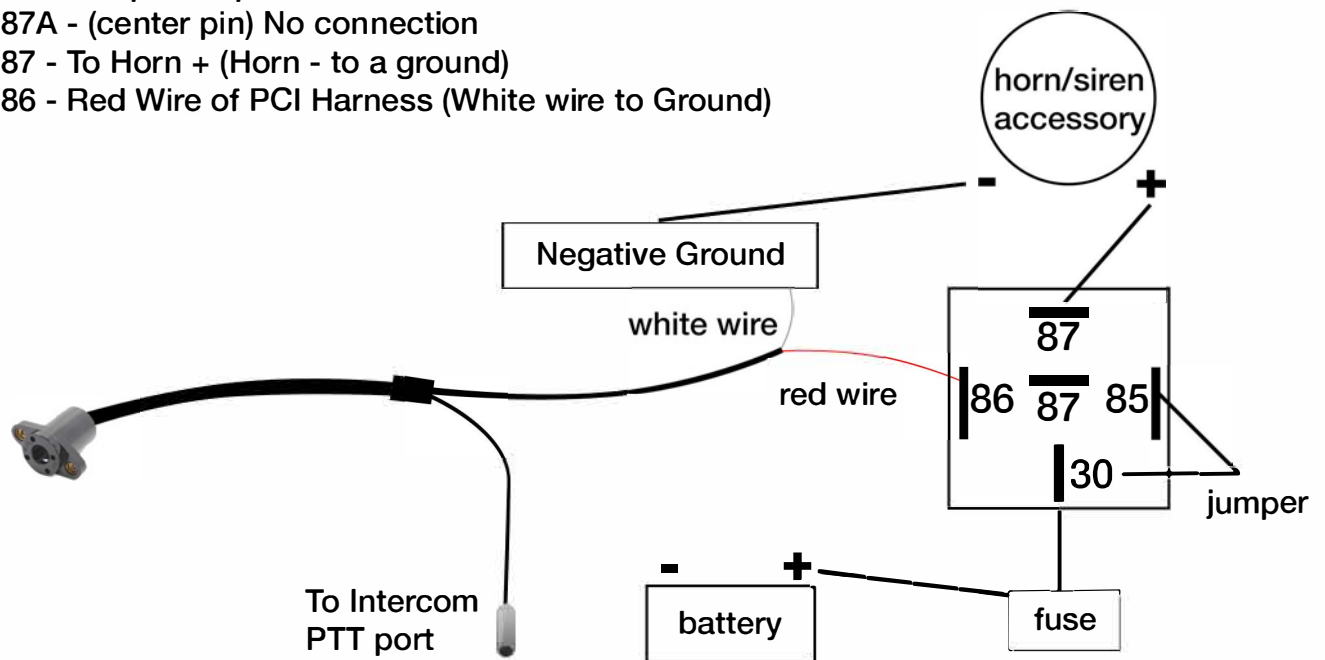
How to Connect a Relay for PCI Quick Release Steering Wheel Connections



NEVER connect power to any of the wires on the PTT Assembly or quick disconnect. Doing so will damage your intercom system and void any warranty.

We recommend using a Bosch automotive relay. Use the correct size fuse for the type of accessory you are connecting to power. This guide is meant to help simplify wiring up our Steering Wheel PTT connections, please contact a wiring professional for additional help.

- Pin 30 - Fused Power from the battery
- Pin 85 - Jumped to pin 30
- Pin 87A - (center pin) No connection
- Pin 87 - To Horn + (Horn - to a ground)
- Pin 86 - Red Wire of PCI Harness (White wire to Ground)



PCI RACE RADIOS