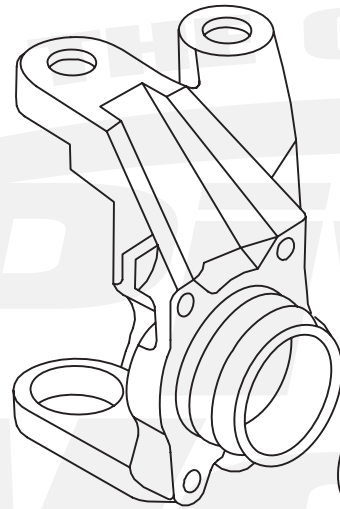


# PWFWK-H16-003

H-SE-002



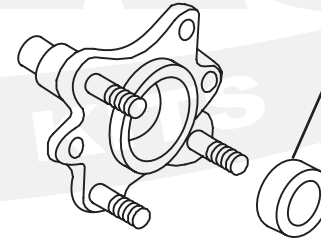
ZWBE-030



WSH-028



WSH-023



Qty.	Part Number	Description
2	ZWBE-030	Bearing
2	WSH-026	Dust Seal
2	WSH-028	Dust Seal
2	WSH-023	Dust Seal

