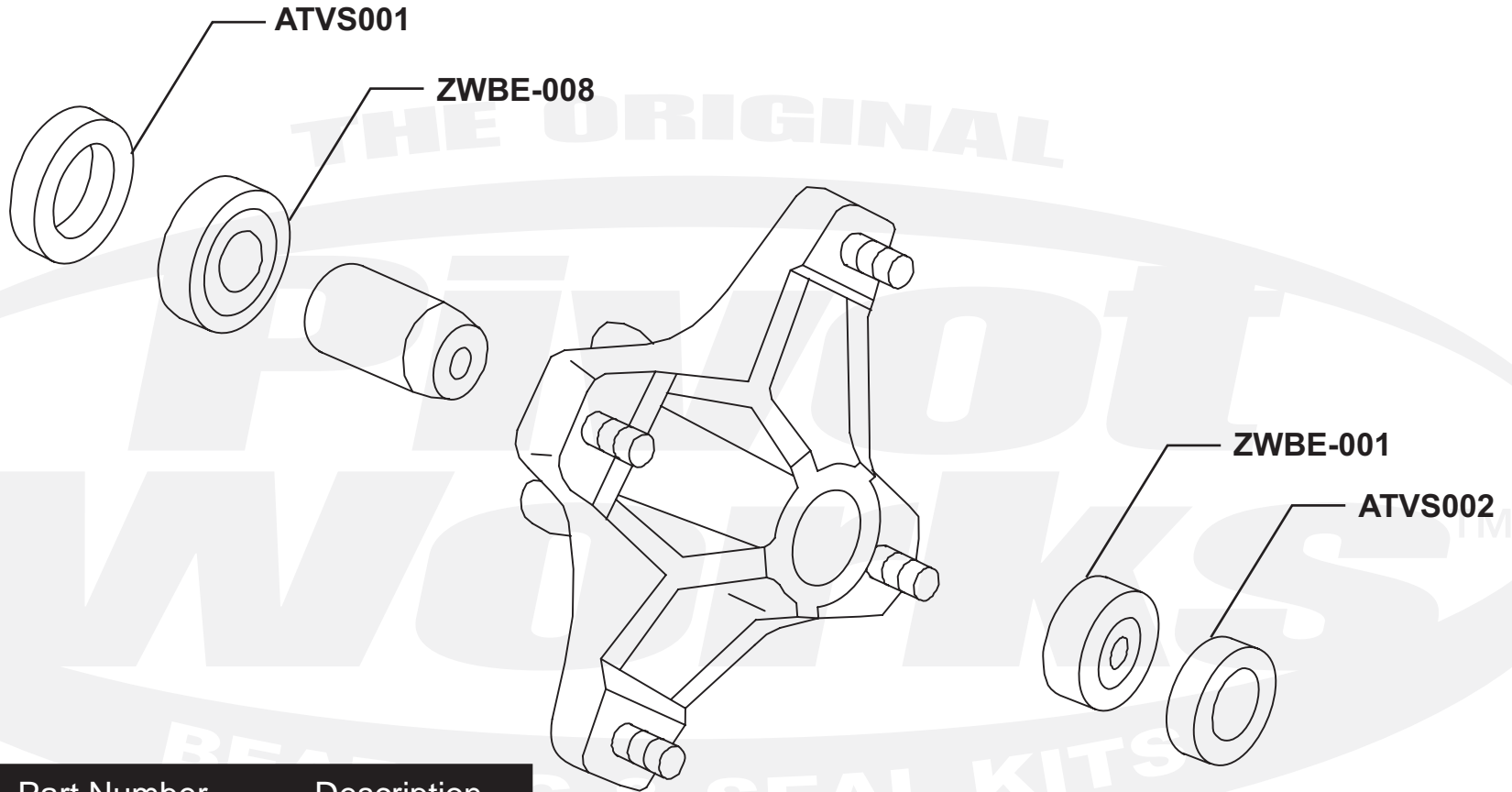


# PWFWK-Y09-000



Qty.	Part Number	Description
2	ZWBE-008	Bearing
2	ZWBE-001	Bearing
2	ATVS001	Oil Seal
2	ATVS002	Oil Seal

