



POWERMADD Plastic Mini-Ski

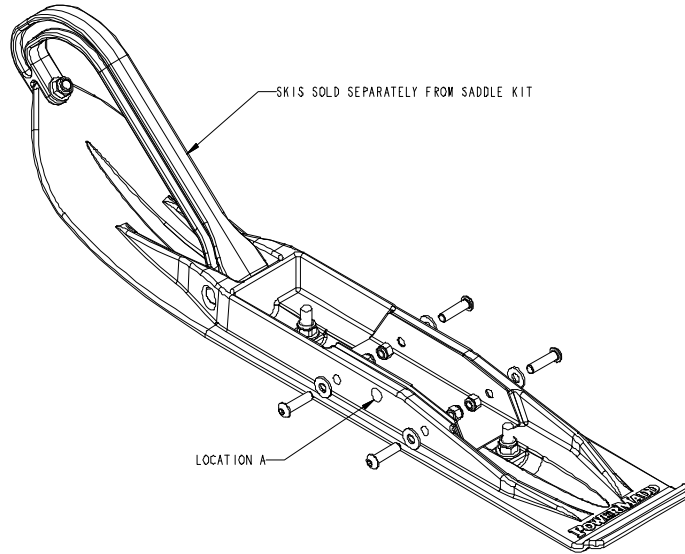
Mounting Instructions for Drag-Ski Saddle Kit Part No. 15893

TOOLS REQUIRED:

- 5/32" Allen Wrench
- 7/16" Wrench
- Electric Drill

HARDWARE INCLUDED:

Item	Qty	Description
1*	2	Drag-Ski Saddles
2	8	1/4-20 Cap Screws
3	8	1/4" Flat washers
4	8	1/4-20 Lock nuts



SCALE · 0 500 TYPE · ASSEM NAME · PP0105 SIZE · A

* Drag-Ski Saddles are made of stainless steel, but are designed to be lightweight. It is the driver's responsibility to determine if #15893 will be strong enough for their application. You may need to fabricate your own saddles to meet your specific application.

Step 1: Mount the saddles into the ski using the provided hardware and your 5/32" Allen wrench and 7/16" wrench, as shown in the illustration above.

Step 2: Mark and drill a hole at **LOCATION A** to match the size of your mounting bolt.

Congratulations! We hope you thoroughly enjoy using your Plastic Mini-Ski for many years.

Accept no compromises, choose only quality powersports mounts and hardware.