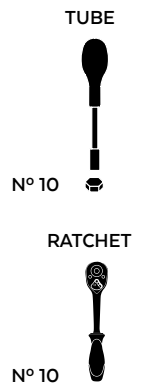


BMW F800R '15-'19 / F900R '20- / F900XR '20-

M O U N T I N G I N S T R U C T I O N S

REF 20048N

PHB19 PROTECTOR FRONT-AXLE



ID.	PART	QTY.	REF.:
1		1	PROFOR68-3-0068
2		1	PROFOR04-3-0748
3		1	VARIFO04-1-0004
4		2	TUZBM6000000024
5		2	ARANDEPD125-054
6		2	FORTAPS17-18

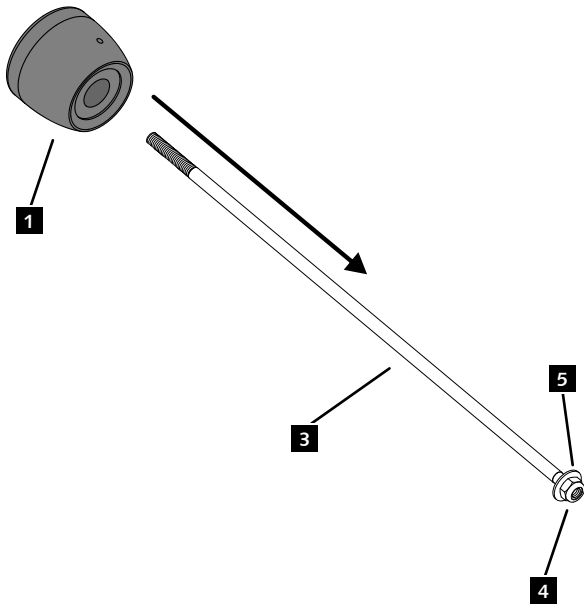
BMW F800R '15-'19 / F900R '20- / F900XR '20-

REF 20048N

MOUNTING INSTRUCTIONS

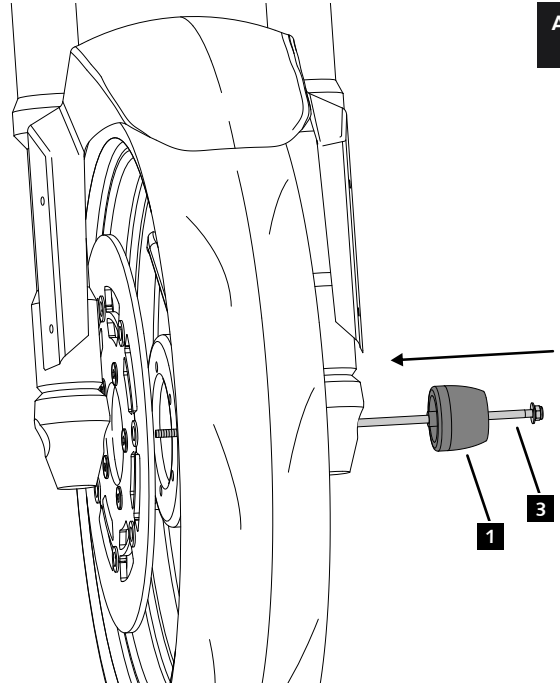
1

ASSEMBLY



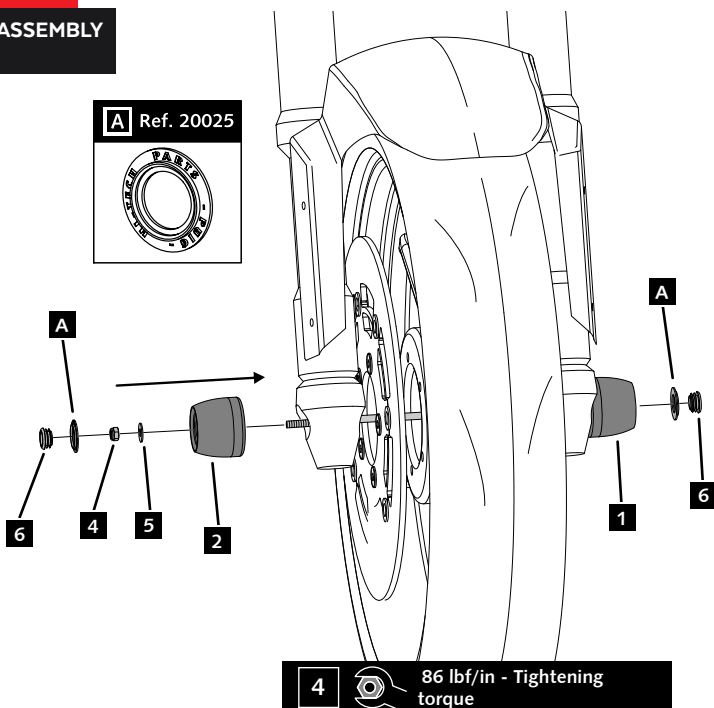
2

ASSEMBLY

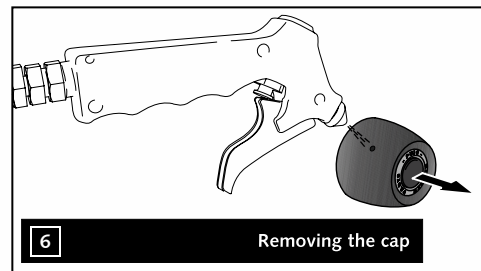


3

ASSEMBLY



4 86 lbf/in - Tightening torque



6 Removing the cap