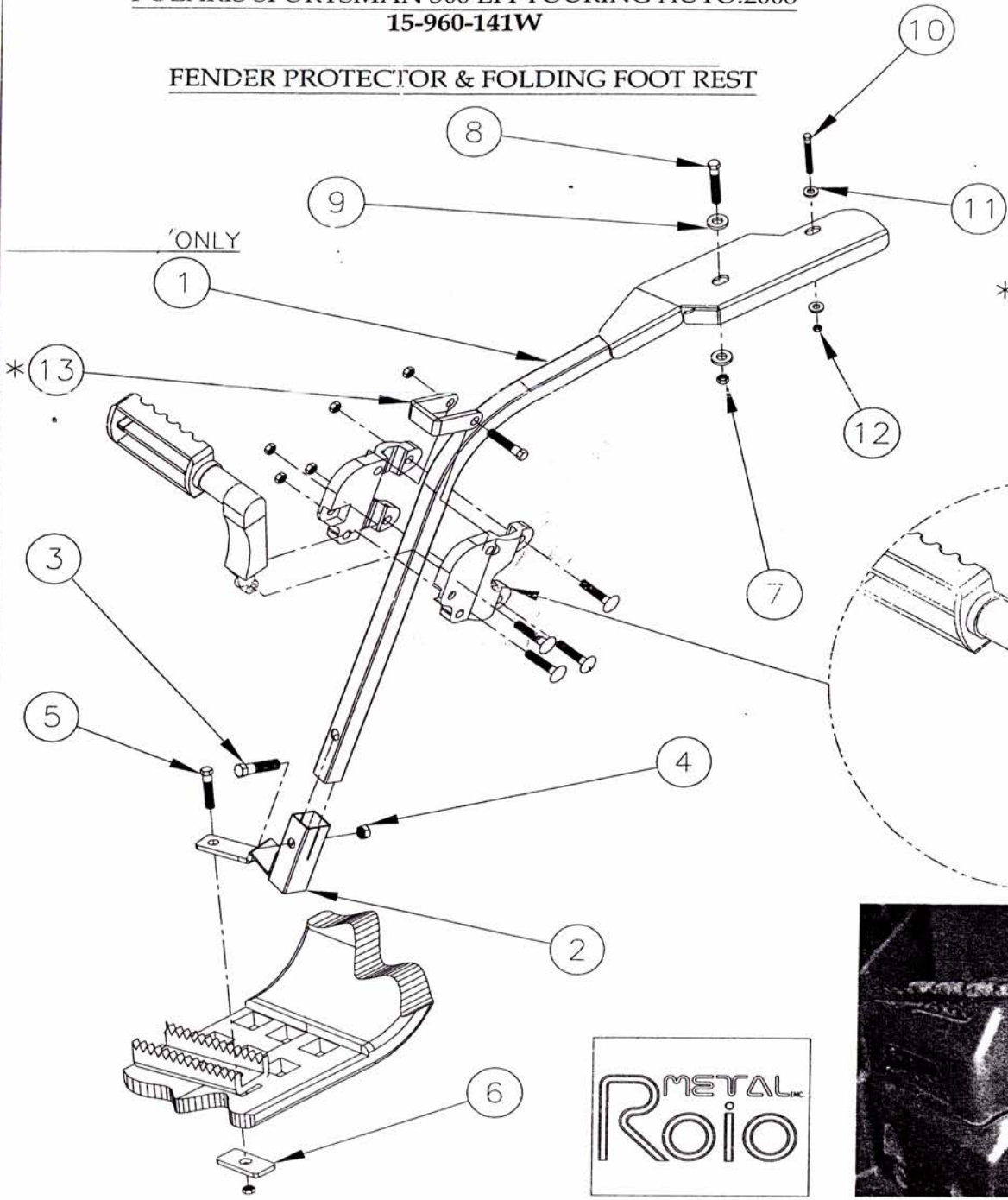


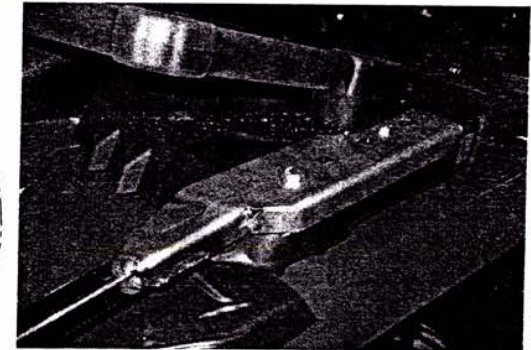
POLARIS SPORTSMAN 500 EFI TOURING AUTO.2008  
15-960-141W

FENDER PROTECTOR & FOLDING FOOT REST



ITEM	QTE.	DESCRIPTION	NO. PIECE
1	2	BEND TUBE	15-960-141-D-ASS
2	2	FIXATION ASSEMBLY	15-960-141-E-ASS
3	2	HEX BOLT $\phi 3/8"$ x 1 1/2" LG.	02-01-6C12Z
4	2	LOCK NUT $\phi 3/8"$	02-03-6CZ
5	2	HEX. BOLT $\phi 5/16"$ x 1 1/2" LG.	02-01-5C12Z
6	2	FLAT BAR 2"x 1"x 3/16"	02-FB-141
7	4	LOCK NUT $\phi 5/16"$	02-03-5CZ
8	2	HEX. BOLT 5/16"x 1 3/4" LG.	02-01-5C14Z
9	4	FLAT WASHER $\phi 5/16"$	02-04-5Z
10	2	HEX. BOLT $\phi 1/4"$ x 1 3/4" LG.	02-01-4C14Z
11	4	FLAT WASHER $\phi 1/4"$	02-04-4Z
12	2	LOCK NUT $\phi 1/4"$	02-04-4CZ
* 13	2	RETENTION PART (POUR PÉDALE 15-966)	15-9665

\* PART SOLD SEPARATLY.  
TO MAINTAIN THE FOOT PEG  
IN VERTICAL POSITION.



NOTE: CHECK THE HARDWARE REGULARLY  
TO PREVENT BOLTS FROM LOOSENING.

REMOVE PLASTIC FOR  
FENDER INSTALLATION.

