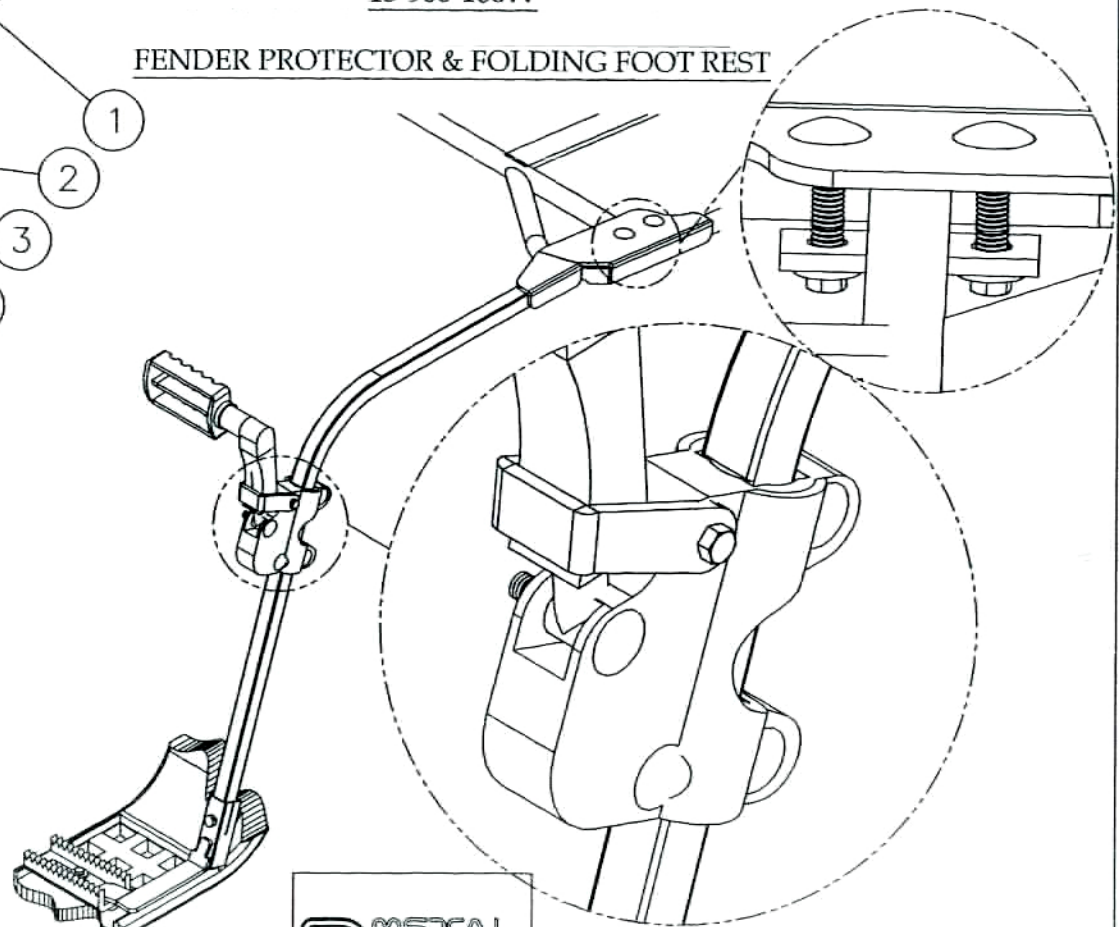
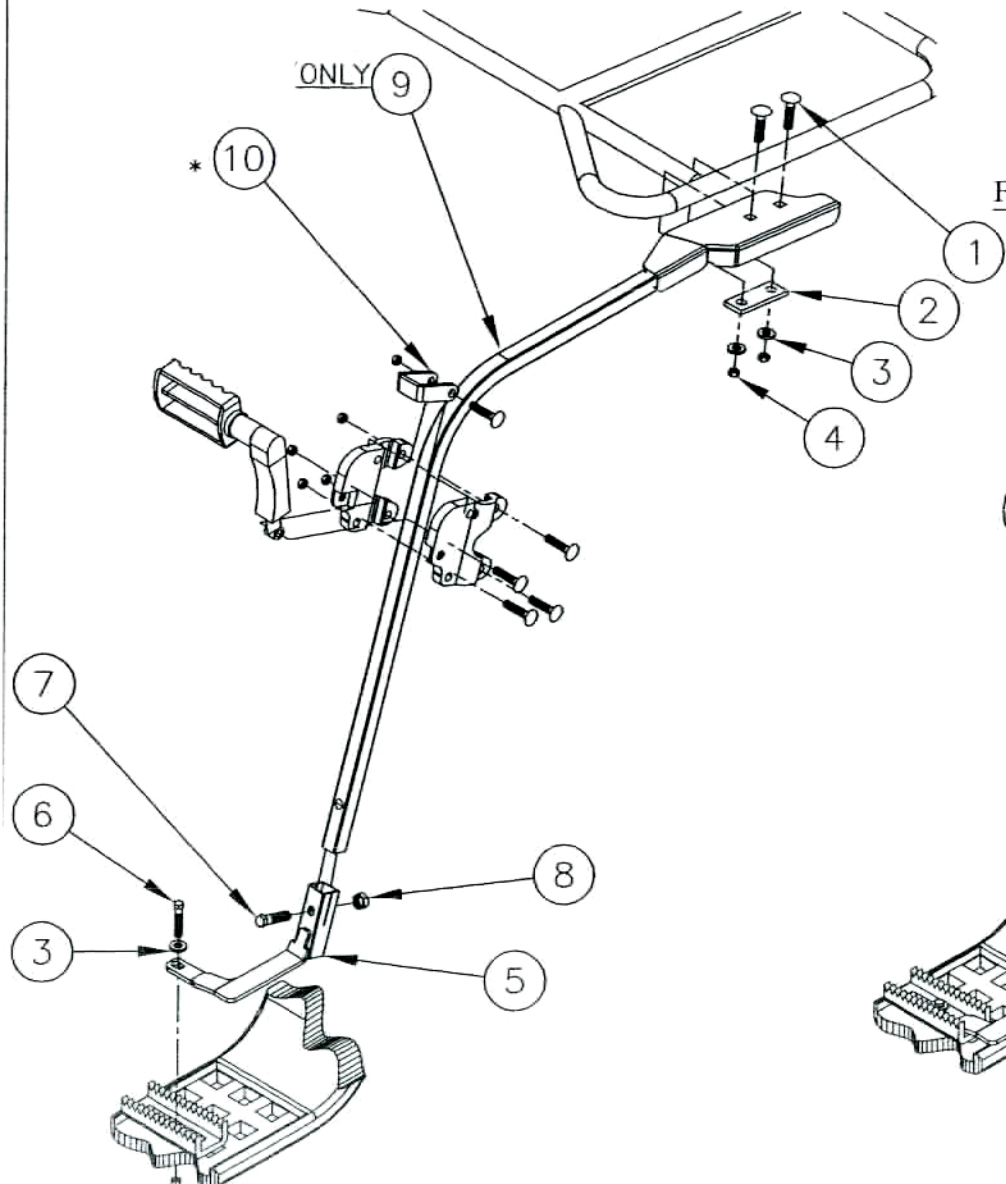


\*= Part sold separatly.  
To maintain the foot peg in  
vertical position

ITEM	QTY	DESCRIPTION	NO. PIECE
1	4	CARRIAGE BOLT #5/16" x 1 1/2"LG.	02-13-5C12Z
2	2	FAT BAR 2 3/4" x 1" x 3/16"	02-FB-99068
3	6	FLAT WASHER #5/16"	02-04-5Z
4	6	LOCK-NUT #5/16"	02-01-5CZ
5	2	FIXATION ASSEMBLY	02-EMB-98068
6	2	HEX.BOLT #5/16" x 1"LG.	02-01-5C4Z
7	2	HEX. BOLT #3/8" x 1 1/2"LG.	02-01-6C12Z
8	2	LOCK-NUT #3/8"	02-03-6CZ
9	2	BEND TUBE	02-TU-98068
* 10	2	RETENTION PART (pour pédale 15-966)	15-9665

**YAMAHA GRIZZLY 700 FI AUTO.4x4 2007**  
**15-960-168W**

**FENDER PROTECTOR & FOLDING FOOT REST**



NOTE: CHECK THE HARDWARE REGULARLY  
TO PREVENT BOLTS FROM LOOSENING.

Quadrax Utility puts everything within reach.

Discover other frame & body on our website.