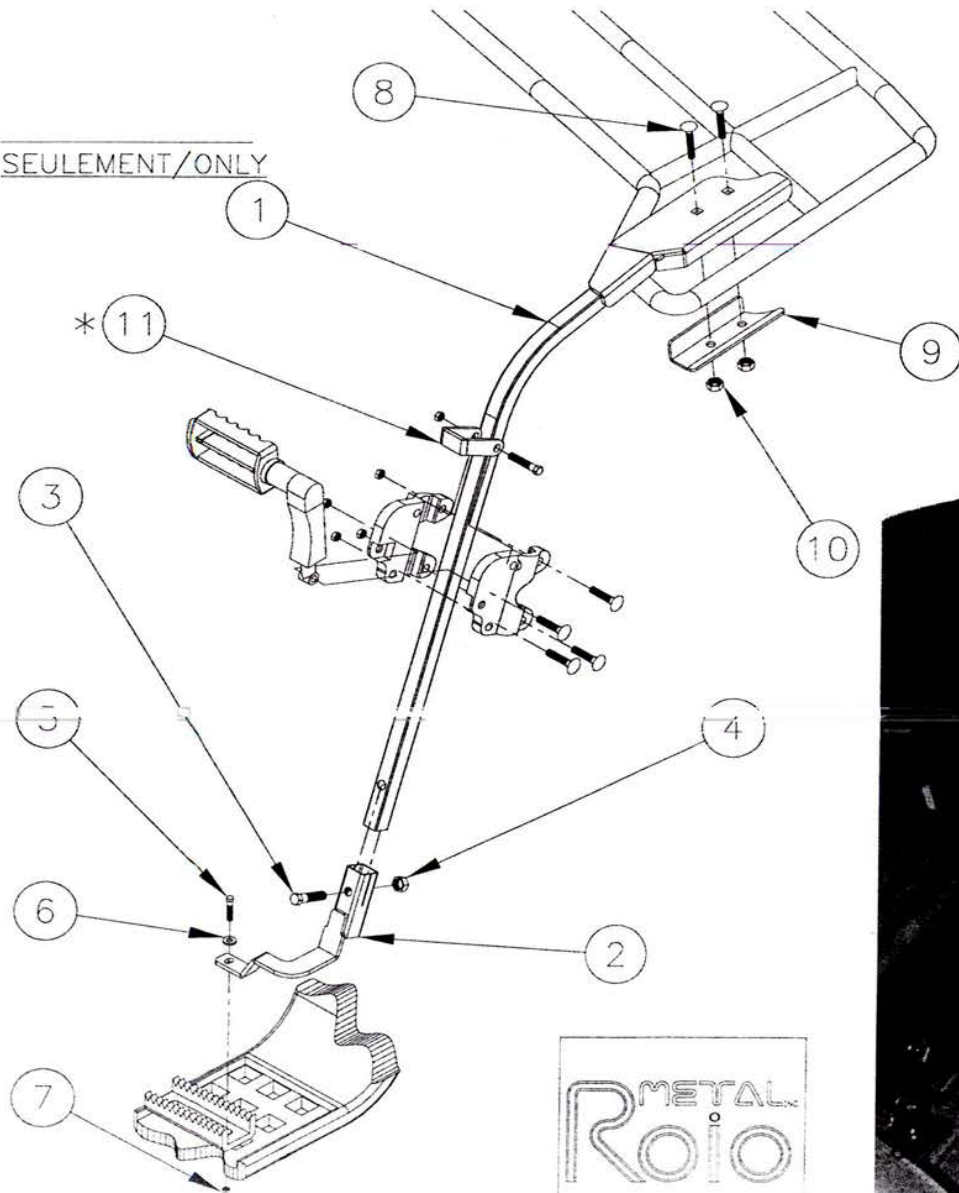


ARCTIC-CAT 500 4x4 MAN.2008  
15-960-186

FENDER PROTECTOR & FOLDING FOOT REST

ITEM	QTE.	DESCRIPTION	NO. PIECE
1	2	BEND TUBE	15-960-186-D-ASS
2	2	FIXATION ASSEMBLY	15-960-186-C-ASS
3	2	HEX BOLT $\phi 3/8"$ x 1 1/2"LG.	02-01-6C12Z
4	2	LOCK NUT $\phi 3/8"$	02-03-6CZ
5	2	HEX. BOLT $\phi 1/4"$ x 1"LG.	02-01-4C8Z
6	2	FLAT WASHER $\phi 1/4"$	02-04-4CZ
7	2	LOCK-NUT $\phi 1/4"$	02-03-4CZ
8	4	CARRIAGE BOLT $\phi 5/16"$ x 1 3/4"LG.	02-13-5C20Z
9	2	BRACKET	15-980-54-C
10	4	LOCK-NUT $\phi 5/16"$	15-03-5CZ
* 11	2	RETENTION PART (POUR PÉDALE 15-966)	15-9665

SEULEMENT/ONLY



\* PART SOLD SEPARATELY.  
TO MAINTAIN THE FOOT PEG  
IN VERTICAL POSITION.

NOTE: CHECK THE HARDWARE REGULARLY  
TO PREVENT BOLTS FROM LOOSENING.

