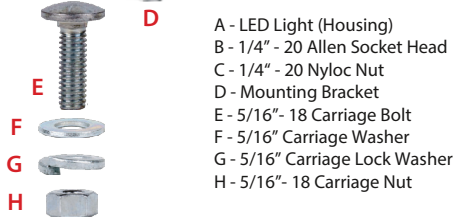
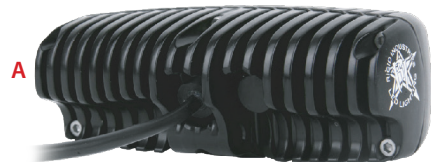


MOUNT INSTRUCTIONS & DIAGRAM FOR SR-Q SERIES

1. Place 5/16" - 18 Carriage Bolt (E) into Mounting Bracket (D).
2. Use 1/4" - 20 Allen Socket Head (B) and 1/4" - 20 Nyloc Nut (C) to attach Mounting Bracket (D) to Housing (A).
3. Drill a 5/16" hole into desired mounting location.
4. Use 5/16": Flat Washer (F), Lock Washer (G), and Nut (H) to secure light assembly to vehicle.
5. Tighten all hardware.



- A - LED Light (Housing)
- B - 1/4" - 20 Allen Socket Head
- C - 1/4" - 20 Nyloc Nut
- D - Mounting Bracket
- E - 5/16" - 18 Carriage Bolt
- F - 5/16" Carriage Washer
- G - 5/16" Carriage Lock Washer
- H - 5/16" - 18 Carriage Nut

ALSO AVAILABLE - LIGHT COVERS (Sold Separately)

COLOR OPTIONS



D-SERIES
SHOWN WITH AMBER



D-SS
SHOWN WITH RED



SR-Q SERIES
SHOWN WITH GREEN

THANK YOU FOR PURCHASING RIGID INDUSTRIES' PRODUCTS.

Please read through all of these Instructions and tips before proceeding with the installation. We do our best to provide a simple installation process for all applications however a professional installation is always recommended.

It is strongly recommended that this product be installed by a professional.

RIGID

INSTRUCTIONS

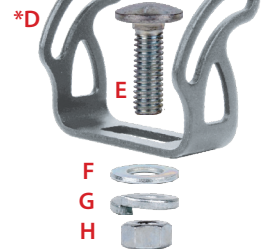
FOR THE FOLLOWING LIGHTS:
D-SERIES®, D-SS™ & SR-Q SERIES®

*MOUNT INSTRUCTIONS & DIAGRAM FOR D-SERIES & D-SS

1. Place 5/16" - 18 Carriage Bolt (E) into Mounting Bracket (D).
2. Use M6 Allen Socket Head (B) and M6 Nyloc Nut (C) to attach Mounting Bracket (D) to Housing (A).
3. Drill a 5/16" hole into desired mounting location.
4. Use 5/16": Flat Washer (F), Lock Washer (G), and Nut (H) to secure light assembly to vehicle.
5. Tighten all hardware.



*D-Series LED Light housing shown on this Diagram.



- A - LED Light (Housing)
- B - M6 Allen Socket Head (2)
- C - M6 Nyloc Nut (2)
- D - Mounting Bracket
- E - 5/16" - 18 Carriage Bolt
- F - 5/16" Carriage Washer
- G - 5/16" Carriage Lock Washer
- H - 5/16" - 18 Carriage Nut

* Bracket can be reversed for additional mounting configurations

WIRING INSTRUCTIONS

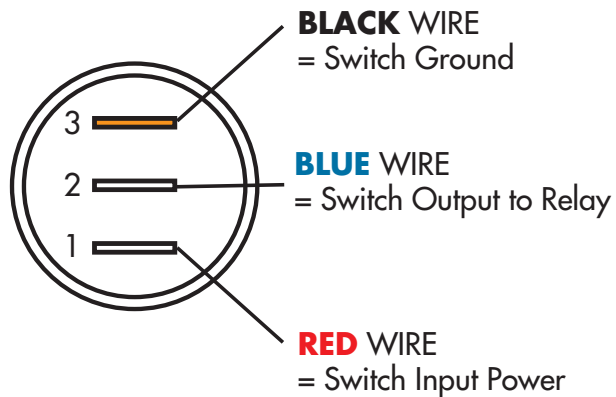
IMPORTANT

Always disconnect the vehicle battery terminals before servicing the electrical system

1. When routing wire harness through any metal surface be sure it is free of any sharp edges and protected using wire sheathing or a grommet.
2. Follow the **WIRING DIAGRAM** to ensure proper connection to switch and battery terminals.
3. If connecting to existing wiring, make sure to use appropriate fusing and wire gauge. Be sure to use heat shrink tubing on all connections to ensure a weather tight seal.
4. Be aware of the current rating of your selected switch, if switch rating is less than the amperage required to power your lighting then a relay must be added in line to prevent failure of the switch.
5. Connect the positive and negative battery terminals once all connections have been made and test to verify functionality.

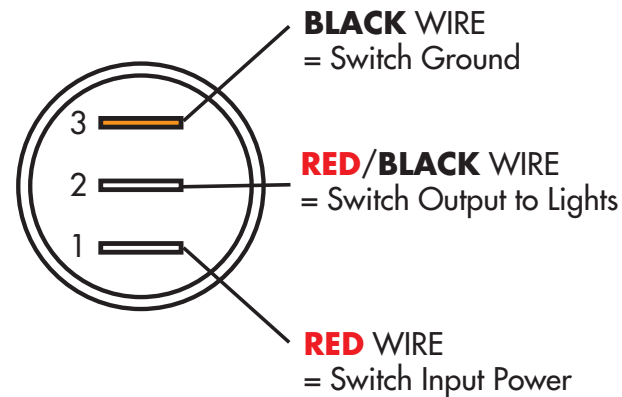
WIRING DIAGRAM FOR RELAY HARNESS

NOTE: **GOLD** Spade is the Top of Switch



WIRING DIAGRAM FOR NON-RELAY HARNESS

NOTE: **GOLD** Spade is the Top of Switch



INSTALLED PHOTO FEATURING D-SS



**Your installation is now complete.
Welcome to the Rigid Nation!**

Check out a selection of off-road lights offered in our online store.