



# INSTALLATION INSTRUCTIONS

## AMBER WHITE SAE FOG LIGHTS



### PRODUCTS INCLUDE:

- (2) Amber White Lights (360 or D-Series)
- Mounting hardware



### IMPORTANT

THANK YOU FOR PURCHASING RIGID INDUSTRIES' PRODUCTS FOR YOUR VEHICLE.

Please read through all of these Instructions and tips before proceeding with the installation.

We do our best to provide a simple installation process for all applications however a professional installation is always recommended.

Always disconnect any power sources connected to your vehicle before servicing fuses or electrical systems.

### WIRING LEADS



RED WIRE = WHITE PROJECTING TRIGGER

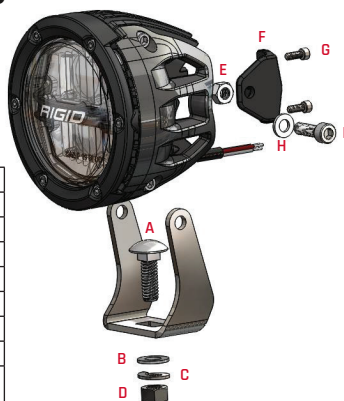
BLACK WIRE = GROUND

WHITE WIRE = AMBER PROJECTING TRIGGER

## MOUNT INSTRUCTIONS & DIAGRAM FOR

### 360-SERIES

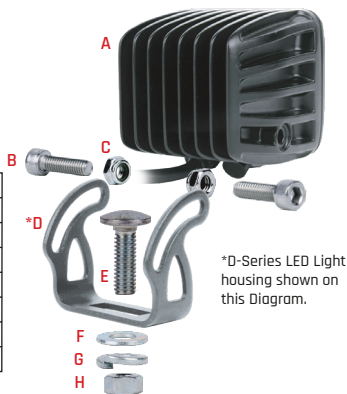
A	M8x25mm Carriage Bolt	Place through bracket
B	M8 Flat Washer	Place on carriage bolt
C	M8 Lock Washer	Place on carriage bolt
D	M8 Nut	Tighten light to bracket
E	M6 Ny Lock Nut	Place in Heatsink
F	Mounting Bushing	Slide into Heatsink
G	6-32x.375" Socket Head	Tighten mount bushing to Heatsink
H	M6 Flat Washer	Place on item I prior to install
I	M6x22mm Socket Head	Tighten the bracket to the light (Torque 32in-lbs)



### D-SERIES

A	LED Light (Housing)	Place through bracket
B	M6 Allen Socket Head (2)	Place through light and bracket
C	M6 Nyloc Nut (2)	Tighten to M6 Allen bolt
*D	Mounting Bracket	Place into light housing
E	5/16"- 18 Carriage Bolt	Place through bracket (bottom)
F	5/16" Carriage Washer	Place on carriage bolt (first)
G	5/16" Carriage Lock Washer	Place on carriage bolt (second)
H	5/16"- 18 Carriage Nut	Tighten to 5/16"-18 carriage bolt

\* Bracket can be reversed for additional mounting configurations



Wiring: Wire your lights according to the instructions included with the light. Take care to avoid any heat sources and sharp or abrasive surfaces.

Your installation is now complete.  
Welcome to the Rigid Nation!